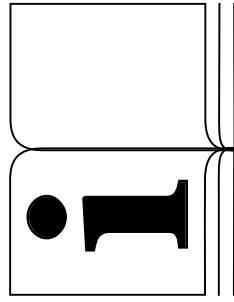


WERKU[®]



ENG ORIGINAL INSTRUCTIONS / HIGH PRESSURE WASHER
ESP INSTRUCCIONES ORIGINALES / HIDROLAVADORA ALTA PRESIÓN
DEU ORIGINALANLEITUNGEN / HOCHDRUCKREINIGER
FRA INSTRUCTIONS ORIGINALES / NETTOYEUR HAUTE PRESSION
NED ORIGINELE INSTRUCTIES / HOGEDRUKREINIGER
POR INSTRUÇÕES ORIGINAIS / LAVADORA ALTA PRESSÃO

1300 W - 100 BAR - MAX 6.5 LPM

WK400890

CE DECLARATION CONFORMITY.

► Werku® declares that the **WK400890** pressure-washer is in accordance with the European Directives and Standards 2006/42/CE, EN60335-1:2012/A11:2014 EN60335-2-79:2012 EN62233:2008

La Coruña, 01/07/2019
R Yáñez
Werku Tools SA

TECHNICAL CHARACTERISTICS.

► Voltage-frequency 230V~50Hz ► Power 1300W
► Class I ► Protection index IPX5 ► Speed rate 2800 min⁻¹ ► Working pressure 70 bar
► Maximum pressure 100 bar ► Working flow 6 l/min⁻¹ ► Maximum flow 6.5 l/min⁻¹ ► Maximum temperature 50° C ► Net weight 10 kg ► Acoustic pressure LpA ≤75 dB(A) ► Acoustic pressure LwA ≤86 dB(A) ► Vibration Aw ≤2.0 m/s².

PICTOGRAMS.



Attention



Risk of electric shock



Do not connect directly to water mains



Risk of high pressure jet



Read instruction manual



Use eye protection



Use hand protection



Use body protection



European conformity



Double insulation



Waste electrical and electronic equipment

SAFETY INSTRUCTIONS.

► Read all security warnings and all instructions
► Failure to follow all warnings and instructions listed below may result in electrical shock, fire and/or serious injury ► Keep all warnings and all instructions for future reference ► Accidents can be avoided in many cases by recognizing a potentially hazardous situation before it occurs and by observing appropriate safety procedures ► Do not use this pressure-washer for other applications than those specified in this manual.

ELECTRIC COMPONENTS.

► Danger; risk of electric shock ► Never touch the mains plug and the socket with wet hands ► Check the power cord with mains plug for damage prior to every use ► Immediately have damaged power cord replaced by an authorised customer service / electrician ► Do not operate an appliance if the power cord is damaged ► All current-conducting parts in the working area must be protected against jet water ► The mains plug and the coupling of an extension cable must be watertight and must never lie in water ► Moreover, the coupling may never lie on the ground ► The use of cable reels that ensure that the sockets are at least 60 mm above the ground is recommended ► Make sure that the power cord or extension cable is not damaged by running over, pinching, dragging or the like ► Protect the power cords from heat, oil, and sharp edges ► Turn off the appliance and remove the mains plug prior to any care and maintenance works ► Repair work and work on the electrical components may only be performed by an authorised customer service ► Warning; the appliance may only be connected to an electric supply that has been installed by an electrician in accordance with IEC 60364 ► The appliance may only be connected to alternating current ► The voltage must correspond with the type plate of the appliance ► Safety class I ► Appliances may only be connected to sockets with proper earthing ► For safety reasons, we recommend that you operate the appliance only via a residual current device (max. 30 mA) ► Unsuitable electrical extension cable can be hazardous ► Only use an electrical extension cable which has been approved and labelled for this purpose and has an adequate cable crosssection outdoors: 1 - 10 m: 1.5 mm² ; 10 - 30 m: 2.5 mm² ► Always fully unroll the extension cable from the cable drum.

SAFE HANDLING.

► Danger; the user must use the appliance as intended ► The person must consider the local conditions and must pay attention to other persons in the vicinity when working with the appliance ► Check important components, such as high-pressure hose, hand spray gun and safety installations, for damage prior to every operation ► Immediately replace damaged components ► Do not operate appliance with damaged components ► High-pressure jets can be dangerous if improperly used ► The jet may not be directed at persons, animals, live electrical equipment or at the appliance itself ► The high-pressure jet must not be directed at other persons or the user him-/herself to clean clothing or footwear ► Vehicle tyres/tyre valves are susceptible to damage from the high-pressure jet and may burst ► The first indication for this is a discolouration of the tyre ► Damaged vehicle tyres/tyre valves are perilous ► Keep a minimum jet distance of 30 cm during cleaning! ► Warning; do not use the appliance when there are other persons around unless they are also wearing protective clothing ► The appliance must not be operated by children or persons who have not been instructed accordingly ► This appliance is not intended for use by persons with limited physical, sensory or mental capacities or lacking experience and/or skills, unless such persons are accompanied and supervised by a person in charge of their safety or they have received precise instructions on the use of this appliance and have understood the resulting risks must not play with this appliance ► Supervise children to prevent them from playing with the appliance ► Caution; create stability for the appliance prior to any work on or with the appliance to prevent accidents or damage ► The water jet that is emitted from the high-pressure nozzle results in a repulsion power acting on the hand spray gun ► Make sure that you have a firm footing and are also holding the hand spray gun and spray lance firmly ► Never leave the appliance unattended as long as it is in operation ► Attention; in case of extended breaks, switch off the appliance at the appliance switch ► Do not operate the appliance at temperatures below 0°C.

OTHER RISKS.

► Danger; the appliance may not be operated in explosive atmospheres ► Never use the appliance to clean objects containing hazardous substances (e.g. asbestos) ► Never draw in fluids containing solvents or undiluted acids and solvents! ► This includes petrol, paint thinner and heating oil ► The spray mist is highly inflammable, explosive and poisonous ► Do not use acetone, undiluted acids and solvents, as they corrode the materials used on the appliance ► Keep packaging films away from children, there is a risk

of suffocation! ► Warning; according to applicable regulations, the appliance must never be used on the drinking water net without a system separator ► Ensure that the connection of your building water installation on which the high-pressure cleaner is operated is equipped with a system separator pursuant to EN 12729 Type BA ► Water that has flown through a system separator is no longer classified as drinking water ► High-pressure hoses, fixtures and couplings are important for the safety of the appliance ► Only use high-pressure hoses, fixtures and couplings recommended by the manufacturer ► When disconnecting the supply or high pressure hose, hot water may leak from the connections after operation ► Caution; mind the weight of the appliance when selecting the storage location and during transport (see technical data) to prevent accidents or injuries ► With appliances with a hand-arm vibration value > 2.5 m/s² (see technical data) ► Caution; several hours of continuous use of the appliance can lead to numbness in the hands in rare cases ► Wear gloves ► Keep hands warm ► breaks at regular intervals.

WORKING WITH DETERGENT.

► Warning; this appliance was designed to be used with detergents which are supplied or recommended by the manufacturer ► The use of other detergents or chemicals may compromise the safety of the appliance ► The improper use of detergents can cause severe injuries or toxication ► Store detergents away from the reach of children.

SAFETY DEVICES.

► Caution; safety installations serve the protection of the user and may not be modified or bypassed.

PERSONAL PROTECTIVE EQUIPMENT.

► Caution; wear protective clothing and safety goggles to protect against splash back containing water or dirt ► During the use of high-pressure cleaners aerosols can develop ► Inhaling aerosols can cause health damage ► Depending on the application, completely shielded nozzles (e.g. surface cleaner) that significantly reduce the emission of aqueous aerosols can be used for high-pressure cleaning ► The use of such shielding is not possible with all applications ► If the use of a completely shielded nozzle is not possible, a respirator of the category FFP2 or the like should be used, depending on the environment to be cleaned.

WORK AREA SAFETY.

► Keep work area clean and well lit ► Cluttered and dark areas invite accidents ► Do not handle power tools in explosive atmospheres, such as in the presence of flammable liquids, gases or dusts ► Keep away from children and curious while operating a power tool ► Distractions can cause you to lose control.

PERSONAL SAFETY.

- ▶ Stay alert, watch what you are doing and use common sense when operating a power tool
- ▶ Do not use a power tool while tired or under the influence of drugs, alcohol or medicines
- ▶ A moment of inattention while operating power tools may cause damage serious personal.

DO NOT WORK ON TIPTOES.

- ▶ Keep your feet on the ground and balance at all times
- ▶ This enables better control of the power tool in unexpected situations.

DRESS PROPERLY.

- ▶ Do not wear loose clothing or jewelry
- ▶ Keep your hair, clothing and gloves away from moving parts
- ▶ Loose clothes, jewelry or long hair can be caught in moving parts
- ▶ If there are devices for connecting means for extracting and collecting dust, make sure they are connected and properly used
- ▶ The use of these devices can reduce dust related hazards.

DO NOT ABUSE THE CORD.

- ▶ Never use the cord to carry, lift or unplug the power tool
- ▶ Keep the cord away from heat, oil, sharp edges or moving parts
- ▶ Damaged or entangled cords increase the risk of electric shock
- ▶ When operating a power tool outdoors, use an extension cord suitable for outdoor use
- ▶ The use of an extension cord suitable for outdoor use reduces the risk of electric shock
- ▶ If the use of a power tool in a damp location is unavoidable, use a power protected by a residual current device (RCD)
- ▶ The use of an RCD reduces the risk of electric shock.

USE AND CARE OF POWER TOOLS.

- ▶ Do not force the power tool
- ▶ Use the correct power tool for your application
- ▶ The correct power tool will do the job better and safer at the rate for which it was conceived
- ▶ Do not use the power tool if the switch cannot be positioned to "off" and "on" position
- ▶ Any power tool that cannot be controlled with the switch is dangerous and must be repaired
- ▶ Remove the plug from the power supply and/or battery before making any adjustments, changing accessories or storing the power tool
- ▶ Such preventive safety measures reduce the risk of starting the power tool accidentally.

STORE POWER TOOLS.

- ▶ Store power tools out of reach of children and

not allow the handling of power tools to people unfamiliar with the tools or these instructions

- ▶ Power tools are dangerous in the hands of untrained users.

MAINTENANCE.

- ▶ Check moving parts for misalignment or binding, there are no broken parts or other conditions that may affect the operation of power tools
- ▶ Power tools are repaired before use when they are damaged
- ▶ Many accidents are caused by poorly maintained power tools
- ▶ Use power tools, accessories and tool tips, etc. according to these instructions and in the manner provided for the particular type of power tool, taking into account the conditions work and work to develop
- ▶ The use of the power tool for applications other than those intended could result in a dangerous situation
- ▶ Please check your power tool serviced by a Werku® official repair service using only identical replacement parts
- ▶ This will ensure the safety of the power tool is maintained.

BEFORE STARTING WORK.

- ▶ Make sure that the pressure-washer is firmly supported before using
- ▶ Check that no one is standing beneath you when using the pressure-washer in high areas
- ▶ Keep your hands away from all moving parts of the pressure-washer.

DURING THE OPERATION.

- ▶ Do not leave the pressure-washer operating without having it firmly fixed
- ▶ Only turn it on when you are sure you have full control over it
- ▶ Do not point the pressure-washer at anyone while in use
- ▶ When operating the pressure-washer will produce vibrations
- ▶ The screws may gradually come loose, and possibly cause faults or accidents
- ▶ Keep your hands away from all moving parts of the pressure-washer.

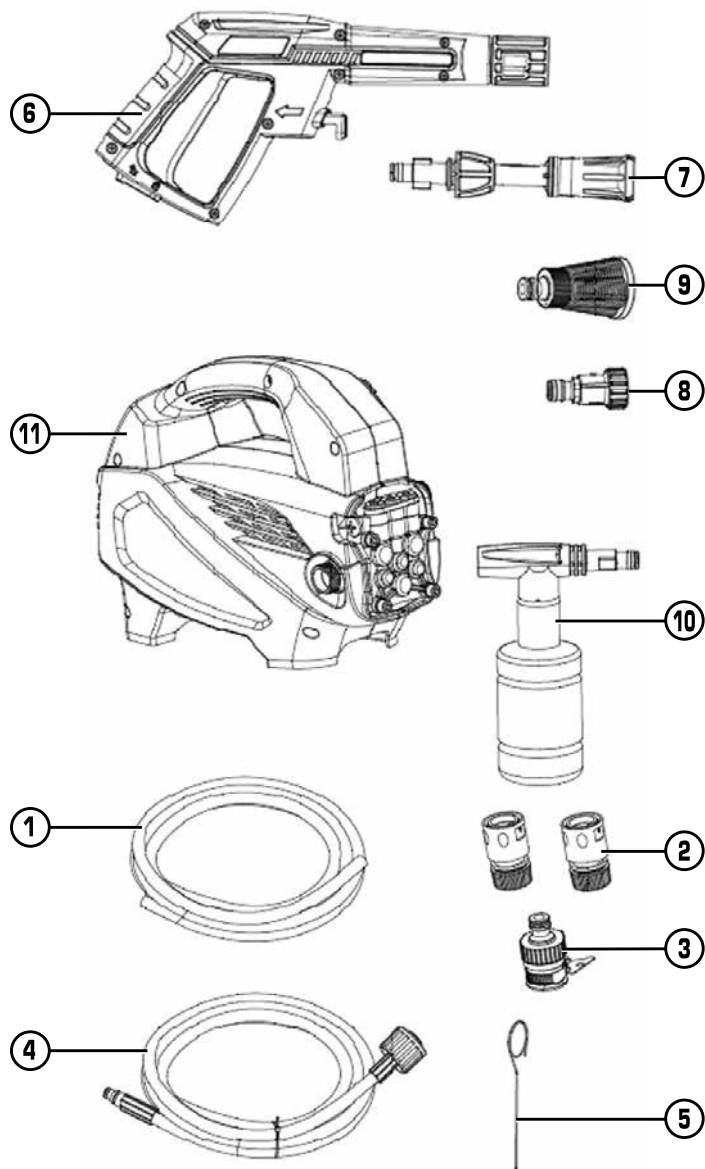
AT FINISH WORKING.

- ▶ Do not touch the possible accessories installed in the pressure-washer after use
- ▶ It may be hot and cause burns
- ▶ Some materials worked with may contain chemicals or toxic components
- ▶ Avoid inhaling these substances or allowing them to come into contact with your skin
- ▶ Use PPE designed to prevent and protect against incidents of this kind.

DESCRIPTION OF THE PRODUCT.

- ▶ The pressure-washer is designed to carry out jobs of cleaning
- ▶ Refer to this plan to familiarize

yourself with the pressure-washer before use.



1. Inlet water hose.
2. Quick connector.
3. Tap connector.
4. High pressure hose.
5. Cleaning pin.
6. Gun.
7. Adjustable spray nozzle.
8. Water inlet connector.
9. Water inlet filter.
10. Detergent bottle.
11. Pressure washer.

USE INSTRUCTIONS.

► Before starting up the pressure-washer, we recommend that you carefully read all of the instructions as indicated ► Please respect all regulations regarding the prevention of accidents, health and safety directives, laws and applicable restrictions for work places ► The pressure-washer must only be used by persons who have been instructed in its use and only for the purposes for which it has been designed.

POWER SUPPLY.

► Make sure the power supply is adapted to the requirements shown on the information panel of the pressure-washer (1) ► Using the motor at low voltage will make it operate slowly ► This will reduce performance and may cause the motor to overheat.

EXTENSION CORD.

► If the working area is at some distance from the power supply, use an extension cord of enough diameter and quality.

ASSEMBLY.

► Insert the adjustable spray nozzle into the gun; push and turn the nozzle clockwise onto the gun until locked ► All attachments must be inserted into the gun for proper use (2) ► Screw on the high pressure hose (3) ► Caution; prior to operate the pressure washer, ensure that the high pressure hose has been completely uncoiled ► Whilst the pressure washer is in operation, the high pressure hose must not loop ► Connect the high pressure hose to the gun; insert and quick-connect it tight to avoid leakage ► Push the hose lock button, then you can pull out high pressure hose (4) ► Insert the detergent nozzle into the gun ► Push and turn the detergent nozzle clockwise onto the gun until hand tight to lock it in place (5) ► Screw the quick connector and filter onto the water inlet pipe (6) ► Attach the hose joint to both ends of the inlet water hose, then connect the inlet water hose to the water tap joint and pressure washer (7, 8, 9) ► Caution; prior to attach the quick connector to pressure washer, check that filter is mounted in the water inlet and that it is not blocked up, failure to fit the filter will damage the pump valves.

STARTING UP.

► Warning; high pressure hose may not loop
 ► Warning; always turn off the motor before turning off the water supply ► Serious damage could occur to the motor if ran without water ► Turn on the water supply tap fully ► Unlock trigger (by pressing the safety button first and then actuate the trigger) for a few second; let the water flow out from the nozzle ► Check if water leaks from joints; if so, please reconnect the water hose, the spray gun or the lance to make sure each accessory are connected perfectly ► Connect to power supply ► Set the power switch at the on position

(10) ▶ Actuate the trigger and start the pressure washer ▶ Warning; check that the supply voltage and frequency correspond to those specified on the appliance data plate ▶ The pressure washer should only be connected to a mains power supply via a security breaker (max 30mA) to cut off the electricity supply in the instance of a short circuit.

STOPPING PRESSURE WASHER.

▶ Warning; always turn off the pressure washer motor before turning off the water supply ▶ Serious damage could occur to the motor if the pressure washer is run without water ▶ Release the trigger and the motor will stop operating ▶ Set the switch at the off position ▶ Disconnect the plug from the socket ▶ Warning; failure to follow these instructions may cause damage to the pressure washer.

CHANGING ACCESSORIES.

▶ Release the trigger ▶ Turn off the power switch ▶ Disassemble the adjustable spray nozzle ▶ Mount the adjustable spray nozzle and detergent bottle ▶ Caution; never disconnect the high pressure discharge hose from the pressure washer while the system is still pressurized ▶ To depressurize, turn off the motor, turn off the water supply and squeeze the trigger 3 times.

GUN SAFETY BUTTON.

▶ Press the unlock button and then actuate the trigger ▶ When you release the trigger, it can return to the off position automatically ▶ When not using the pressure washer, press the lock button to keep from accidentally activation (11).

HOLDING GUN.

▶ Grip the gun in the right position, with one hand on the handle and the other on the adjustable spray nozzle.

DETERGENT USE.

▶ Add detergent to the tank and assemble the tank ▶ Insert the end of detergent dispenser with plastic tab into the opening of the spray gun, push and turn in the clockwise direction to lock the detergent dispenser and spray gun together (12) ▶ The use of detergents can dramatically reduce cleaning time and assist in the removal of difficult stains ▶ There are detergents specifically for pressure washers ▶ These detergents are approximately as thick as water ▶ The use of thicker detergents, such as

dish soap, will clog the chemical injection system and prevent the application of the detergent ▶ The cleaning power of detergents comes from applying them to a surface and giving the chemicals time to break down the dirt and grime ▶ Detergents work best when applied at low pressure.

WATER INLET FILTER.

▶ The water inlet filter must be inspected regularly, to avoid blockage and restriction in the water supply to the pump (13).

SPRAY NOZZLE.

▶ The adjustable spray nozzle will allow you to use any variety of spray patterns from a full fan spray (14) to a direct stream spray (15) ▶ When using the pressure cleaner to clean wood decks, siding, vehicles etc., always start using the fan spray and begin spraying from a minimum of 1 meter away to avoid damaging the surface of the material you are cleaning ▶ Always begin by spraying in a testing area free and clear of people and objects ▶ Warning; high pressure jet can be dangerous and must not be directed at persons, live electrical equipment or the pressure washer itself ▶ Do not direct the jet against yourself or others in order to clean clothes or foot-wear.

CLEANING PIN.

▶ To use the cleaning pin, insert wire into the nozzle hole and move back and forth until debris is dislodged (16).

SHUTTING DOWN.

▶ When finished using the pressure cleaner, follow these steps to shut down ▶ Turn the pressure washer to the off position ▶ Turn off the water supply ▶ Before disconnecting high-pressure hose connection, point the gun in a safe direction and discharge the high-pressure water ▶ Disconnect high-pressure hose from the pressure washer and gun ▶ Disconnect water supply hose ▶ Remove excess water from the pump by tipping the pressure washer on both sides to drain any remaining water from inlet and outlet fittings ▶ Remove water intake filter and flush with water to remove dirt or debris ▶ Return filter once cleaned ▶ Drain detergent reservoir and flush with running water ▶ Wipe away any remaining water on all parts and fittings ▶ Engage the gun safety lock ▶ Store the pressure washer, parts and accessories in an area with a temperature above 0° C.

MAINTENANCE.

► This pressure washer has a closed lubrication system, so no addition of oil is needed ► Check all hoses and accessories for damage prior to use ► Check the inlet filter periodically for deposits ► Clean this filter regularly for maximum performance ► The pressure-washer has been designed for a long working life with minimum maintenance ► Optimum use depends on correct care of the pressure-washer and regular cleaning ► To prevent accidents, always unplug the pressure-washer from the power source before cleaning or performing any maintenance ► The pressure-washer may be cleaned effectively using compressed air after each use ► If compressed air is not available, use a brush to remove dust from the pressure-washer ► Motor ventilation vents and switch levers must be kept clean and free of foreign matter ► Do not attempt to clean by inserting pointed objects through openings ► Certain cleaning agents and solvents damage plastic parts, among them are gasoline, carbon tetrachloride, chlorinated cleaning solvents, ammonia and household cleaners containing ammonia ► Do not use any of these to clean the pressure-washer ► Should excessive sparking occur, have a Werku® official repair service exam and/or replace the carbon brushes.

ENVIRONMENT PROTECTION.

► The materials and components that have been used to manufacture this product can be re-used and recycled ► Werku® is adhered to an Integrated Management System that is in charge of the correct elimination of the residues of this product ► Do not eliminate this product with domestic residues ► Werku® offers to its clients a free collection service of these residues through any of its sale points, or in the collection points established by the Integrated Management System or in the recycling point of your locality.

WARRANTY AND TECHNICAL SERVICE.

► Apart from the legal guarantee, Werku® offers an additional commercial guarantee ► This commercial guarantee covers the repair of all defects found due to faults in the materials or manufacture ► For this cover to be effective it is necessary for these defects to appear within the validity period ► The consumer is entitled to free repair of all defects that Werku® recognises as included in the commercial guarantee (shipping costs, labour costs and materials included) as chosen by Werku®, either

via the repair or by replacement (if necessary with a later model) ► This commercial guarantee does not affect consumer's rights established by law according to Directive 1999/44/CE ► This commercial guarantee is valid for 24 months ► If this product is destined for professional or industrial use, the validity period is 12 months ► The validity period starts on the date of purchase by the first consumer ► This date is shown on the invoice or receipt of purchase ► Actions for claims against this commercial guarantee expire six months from the end of the validity period ► Any claims arising from this commercial guarantee must be presented to the distributor or the Technical Assistance Service ► To do so you must present this guarantee correctly completed and stamped by the distributor, together with the sale invoice or receipt ► In order to require any information in relation to this commercial guarantee, the buyer and/or distributor may contact the Technical Assistance Service by telephone on +34 981 648 119, or by e-mail at info@werku.com ► This commercial guarantee does not cover defects caused by parts that have worn out from use other types of natural wear, defects caused by failure to observe the instructions for use and operation, or for applications other than those for which this product is intended, abnormal environmental factors, overloading, or unsuitable maintenance or cleaning, faults caused by the use of spare parts, accessories or replacements that are not original Werku® parts, if the product has been totally or partially disassembled, modified or repaired by personnel other than that of the Technical Assistance Service or minimum and irrelevant irregularities for suitable use or operation ► Repairs and replacements will not extend or renew the validity period of this commercial guarantee ► The replaced parts will become the property of Werku® ► If the buyer sends the product to the Technical Assistance Service, and it fails to comply with the conditions of this commercial guarantee, all expenses and transportation risks shall be paid by the buyer ► This commercial guarantee is only valid within the territory of the European Union ► The company responsible for the compliance of this Werku® commercial guarantee is Werku Tools SA.

TECHNICAL ADVICE.

► The technical department of Werku® is at your disposal to resolve any questions you may have regarding to its products ► If you wish to contact our team, send an e-mail to info@werku.com.

DECLARACIÓN CONFORMIDAD CE.

► Werku® declara que la hidrolavadora **WK400890** cumple las Directivas y Normativas Europeas 2006/42/CE, EN60335-1:2012/A11:2014, EN60335-2-79:2012 y EN62233:2008.



La Coruña, 01/07/2019
R Yáñez
Werku Tools SA

CARACTERÍSTICAS TÉCNICAS.

► Voltaje-frecuencia 230V~50Hz ► Potencia 1300W ► Clase I ► Índice de protección IPX5
► Revoluciones 2800 min⁻¹ ► Presión trabajo 70 bar
► Presión máxima 100 bar ► Caudal trabajo 6 l/min⁻¹
► Caudal máximo 6.5 l/min⁻¹ ► Temperatura máxima 50° C ► Peso neto 10 kg ► Presión acústica LpA ≤75 dB(A) ► Presión acústica LwA ≤86 dB(A)
► Vibración Aw ≤2.0 m/s².

PICTOGRAMAS.



Atención



Riesgo de descarga eléctrica



No conecte directamente a la red de agua



Riesgo de chorro a alta presión



Leer manual de instrucciones



Usar protección para los ojos



Usar protección para las manos



Usar protección corporal



Conformidad europea



Doble aislamiento



Residuos de aparatos eléctricos y electrónicos

INSTRUCCIONES DE SEGURIDAD.

► Lea todas las advertencias de seguridad y todas las instrucciones ► La no observación de todas las advertencias e instrucciones relacionadas a continuación puede dar como resultado un choque eléctrico, fuego y/o una lesión seria ► Guarde todas las advertencias y todas las instrucciones para una referencia futura ► Los accidentes podrán evitarse en muchos casos dándose cuenta de una situación peligrosa antes de que se produzca, y observando fielmente los procedimientos de seguridad apropiados ► No utilice nunca esta hidrolavadora para aplicaciones que no sean las especificadas en este manual.

COMPONENTES ELÉCTRICOS.

► Peligro; riesgo de descarga eléctrica ► No tocar nunca la clavija ni el enchufe con manos húmedas ► Comprobar si está dañado el cable de alimentación con el conector de red antes de cada servicio ► Si el cable de alimentación está dañado solicitar al servicio de postventa/electricista autorizado que lo cambie inmediatamente ► No operar el equipo con un cable de alimentación dañado ► Todas las partes conductoras de corriente de la zona de trabajo tienen que estar protegidas contra los chorros de agua ► El enchufe y el acoplamiento de un conducto de prolongación tienen que ser estancos y no pueden estar dentro del agua ► El acoplamiento no puede seguir en el suelo ► Se recomienda utilizar enrolladores de cables que garantizan que los enchufes estén al menos a 60 mm del suelo ► Tener cuidado de no atropellar, aplastar o tirar del cable de alimentación o el conducto de prolongación para evitar dañarlos o estropearlos ► Proteger los cables de alimentación del calor, el aceite y los bordes afilados ► Apague el aparato y desenchufe la clavija de red antes de efectuar los trabajos de cuidado y mantenimiento ► Sólo puede realizar reparaciones y trabajar con las piezas eléctricas el servicio de postventa autorizado ► Advertencia; el equipo solo se puede conectar a una toma eléctrica que haya sido instalada por un electricista conforme a IEC 60364 ► Conectar el equipo solo a corriente AC ► La tensión tiene que coincidir con la placa de características del equipo ► Clase de protección I ► Los aparatos sólo pueden ser conectados

a fuentes de corrientes con puesta a tierra correcta ▶ Por razones de seguridad, también recomendamos utilizar el aparato siempre con un interruptor de corriente por defecto (max. 30 mA) ▶ Los cables eléctricos alargadores inadecuados pueden ser peligrosos ▶ Para el exterior, utilice solo cables de prolongación eléctricos autorizados expresamente para ello, adecuadamente marcados y con una sección de cable suficiente: 1 - 10 m: 1,5 mm²; 10 - 30 m: 2,5 mm² ▶ Desenrollar siempre el conducto de prolongación completo del enrollador de cables.

MANIPULACIÓN SEGURA.

▶ Peligro; el usuario debe utilizar el equipo de forma correcta ▶ Debe tener en cuenta las situaciones locales y respetar las personas del entorno a la hora de trabajar con el aparato ▶ Antes del servicio, comprobar si están dañados los componentes importantes, como la manguera de alta presión, la pistola pulverizadora y los dispositivos de seguridad ▶ Cambiar inmediatamente los componentes dañados ▶ No operar el equipo con componentes dañados ▶ Los chorros a alta presión pueden ser peligrosos si se usan indebidamente ▶ No dirija el chorro hacia personas, animales o equipamiento eléctrico activo, ni apunte con él al propio aparato ▶ No dirigir el chorro de alta presión hacia uno mismo o hacia otros para limpiar ropa o calzado ▶ Los neumáticos del vehículo/válvulas de los neumáticos pueden sufrir daños por el chorro de alta presión y reventar ▶ Una primera señal de ello es una coloración del neumático ▶ Los neumáticos del vehículo/válvulas de los neumáticos dañados son peligrosos ▶ Durante la limpieza, mantener una distancia mínima de 30cm con el chorro ▶ Advertencia; no utilizar el equipo si hay otras personas al alcance a no ser que utilicen vestuario de protección personal ▶ Los niños o las personas no instruidas sobre su uso no deben utilizar el aparato ▶ Este aparato no es apto para ser manejado por personas con incapacidades físicas, sensoriales o intelectuales o falta de experiencia y/o conocimientos, a no ser que sean supervisados por una persona encargada o hayan recibido instrucciones de esta sobre como usar el aparato y qué peligros conlleva ▶ Los niños no pueden jugar con el aparato ▶ Supervisar a los niños para asegurarse de que no jueguen con el aparato ▶ Precaución; antes de realizar cualquier tarea con o en el equipo, estabilizarlo para evitar accidentes o daños si se cae el equipo ▶ Mediante el chorro de agua que sale de la boquilla de alta presión,

se ejerce una fuerza de retroceso sobre la pistola pulverizadora ▶ Mantener el equipo estable, sujetar bien la pistola pulverizadora y el tubo pulverizador ▶ No dejar el equipo nunca sin vigilancia mientras esté en funcionamiento ▶ Cuidado; si se realizan pausas de trabajo prolongadas, desconectar el equipo con el interruptor del aparato ▶ No operar el equipo a temperaturas inferiores a 0° C.

OTROS PELIGROS.

▶ Peligro; está prohibido el funcionamiento en zonas donde haya riesgo de explosión ▶ No rociar objetos que contengan sustancias nocivas para la salud (p.ej. asbesto) ▶ ¡No aspirar nunca líquidos que contengan disolventes, ácidos sin disolver o disolventes! ▶ Esto incluye productos como la gasolina, disolvente de pintura o fuel ▶ La neblina de pulverización es altamente inflamable, explosiva y tóxica ▶ No utilizar acetona, ácidos sin disolver ni disolvente, puede atacar a los materiales utilizados en el equipo ▶ ¡Mantener los plásticos del embalaje fuera del alcance de los niños, se corre el riesgo de asfixia! ▶ Advertencia; de acuerdo con las normativas vigentes, está prohibido utilizar el aparato sin un separador de sistema en la red de agua potable ▶ Asegúrese de que la toma de su instalación de agua doméstica donde se opera la hidrolavadora alta presión, esté equipada con un separador de sistema conforme a EN 12729 tipo BA ▶ El agua que haya pasado por un separador del sistema será catalogada como no potable ▶ Las mangueras de alta presión, fijaciones y acoplamientos son importantes para la seguridad del equipo ▶ Utilizar solo las mangueras de alta presión, fijaciones y acoplamientos recomendados por el fabricante ▶ Al separar el tubo de alimentación o el de alta presión, puede salir agua muy caliente de las tomas después del funcionamiento ▶ Precaución; al seleccionar el lugar de montaje y al transportar, tener en cuenta el peso del aparato (véase datos técnicos), para evitar accidentes o lesiones ▶ En el caso de aparatos con valor de vibración mano-brazo > 2,5 m/s² (véase datos técnicos) ▶ Precaución; si el aparato se utiliza durante varias horas sin interrupción, se puede producir una sensación de adormecimiento en las manos, pero es poco frecuente ▶ Utilizar guantes ▶ Mantener las manos calientes ▶ Realizar descansos de trabajo regularmente.

TRABAJO CON DETERGENTES.

▶ Advertencia; este aparato se ha desarrollado para utilizar los detergentes suministrados o recomendados por el fabricante ▶ La utilización

de otros detergentes o sustancias químicas puede influir en la seguridad del aparato ► Si se utilizan erróneamente detergentes, se pueden provocar lesiones graves o intoxicaciones ► Guardar los detergentes fuera del alcance de los niños.

DISPOSITIVOS SEGURIDAD.

► Precaución; los dispositivos de seguridad sirven para proteger al usuario y no se pueden modificar o sortear.

EQUIPO PROTECTOR PERSONAL.

► Precaución; póngase ropa y gafas protectoras adecuadas para protegerse de las salpicaduras de agua y de la suciedad ► Durante el uso de limpiadoras de alta presión se pueden generar aerosoles ► Inhalar aerosoles puede provocar daños a la salud ► Dependiendo de la aplicación, se pueden utilizar boquillas totalmente apantalladas (p.ej. limpiadoras de superficies) para la limpieza a alta presión, que reduzca significativamente el impulso de aerosoles acuosos ► El uso de tal apantallamiento no es posible en todas las aplicaciones ► Si no es posible utilizar una boquilla totalmente apantallada, se debería utilizar una mascarilla de la clase FFP2 o similar, dependiendo del entorno a limpiar.

SEGURIDAD DEL AREA DE TRABAJO.

► Mantenga el área de trabajo limpia y bien iluminada ► Las áreas desordenadas y oscuras provocan accidentes ► No maneje herramientas eléctricas en atmósferas explosivas, tales como en presencia de líquidos, gases o polvos inflamables ► Mantenga alejados a los niños y curiosos mientras maneja una herramienta eléctrica ► Las distracciones pueden causarle la pérdida del control.

SEGURIDAD PERSONAL

► Esté alerta, vigile lo que está haciendo y use el sentido común cuando maneje una herramienta eléctrica ► No use una herramienta eléctrica cuando esté cansado o bajo la influencia de drogas, alcohol o medicamentos ► Un momento de distracción mientras maneja herramientas eléctricas puede causar un daño personal serio.

NO TRABAJE DE PUNTILLAS.

► Mantenga los pies bien asentados sobre el suelo y conserve el equilibrio en todo momento ► Esto permite un mejor control de la herramienta eléctrica en situaciones inesperadas.

VISTA ADECUADAMENTE.

► No vista ropa suelta o joyas ► Mantenga su pelo, su ropa y guantes alejados de las piezas

en movimiento ► La ropa suelta, las joyas o el pelo largo pueden ser cogidos en las piezas en movimiento ► Si hay dispositivos para la conexión de medios de extracción y recogida de polvo, asegúrese de que éstos estén conectados y se usen correctamente ► El uso de estos dispositivos puede reducir los riesgos relacionados con el polvo.

NO ABUSE DEL CABLE.

► No usar nunca el cable para llevar, levantar o desenchufar la herramienta eléctrica ► Mantenga el cable lejos del calor, aceite, cantos vivos o piezas en movimiento ► Los cables dañados o enredados aumentan el riesgo de choque eléctrico ► Cuando maneje una herramienta eléctrica en el exterior, use una prolongación de cable adecuado para uso exterior ► El uso de una prolongación de cable adecuada para uso en el exterior reduce el riesgo de choque eléctrico ► Si el uso de una herramienta eléctrica en un lugar húmedo es inevitable, use una alimentación protegida por un dispositivo de corriente residual (RCD) ► El uso de un RCD reduce el riesgo de choque eléctrico.

UTILIZACIÓN Y CUIDADOS DE LAS HERRAMIENTAS ELÉCTRICAS.

► No fuerce la herramienta eléctrica ► Use la herramienta eléctrica correcta para su aplicación ► La herramienta eléctrica correcta hará el trabajo mejor y más seguro al ritmo para la que fue concebida ► No use la herramienta eléctrica si el interruptor no se puede posicionar en "off" y "on" ► Cualquier herramienta eléctrica que no pueda controlarse con el interruptor es peligrosa y debe repararse ► Desenchufe la clavija de la fuente de alimentación y/o de la batería antes de efectuar cualquier ajuste, cambio de accesorios, o de almacenar las herramientas eléctricas ► Tales medidas preventivas de seguridad reducen el riesgo de arrancar la herramienta accidentalmente.

ALMACENE LAS HERRAMIENTAS ELÉCTRICAS.

► Almacene las herramientas eléctricas inactivas fuera del alcance de los niños y no permita el manejo de la herramienta a personas no familiarizadas con las herramientas eléctricas o con estas instrucciones ► Las herramientas eléctricas son peligrosas en manos de usuarios no entrenados.

MANTENIMIENTO.

► Compruebe que las partes móviles no estén desalineadas o trabadas, que no haya piezas rotas u otras condiciones que puedan afectar el funcionamiento de las herramientas eléctricas ► Las herramientas eléctricas se reparan antes de su uso, cuando están dañadas ► Muchos

accidentes son causados por herramientas eléctricas pobremente mantenidas ► Use la herramienta eléctrica y accesorios de acuerdo con estas instrucciones y de la manera prevista para el tipo particular de herramientas eléctricas, teniendo en cuenta las condiciones de trabajo y el trabajo a desarrollar ► El uso de herramientas eléctricas para aplicaciones diferentes de las previstas podría causar una situación de peligro ► Haga revisar su herramienta eléctrica por un servicio oficial de reparación Werku® usando solamente piezas de recambio idénticas ► Esto garantizará que la seguridad de la herramienta eléctrica se mantiene.

ANTES DE EMPEZAR A TRABAJAR.

► Asegúrese siempre antes de utilizar la hidrolavadora que se encuentra firmemente apoyado ► Compruebe que nadie se encuentra bajo la zona de influencia de la hidrolavadora cuando lleve a cabo trabajos en zonas elevadas ► Aleje las manos de las partes en movimiento de la hidrolavadora.

DURANTE EL FUNCIONAMIENTO.

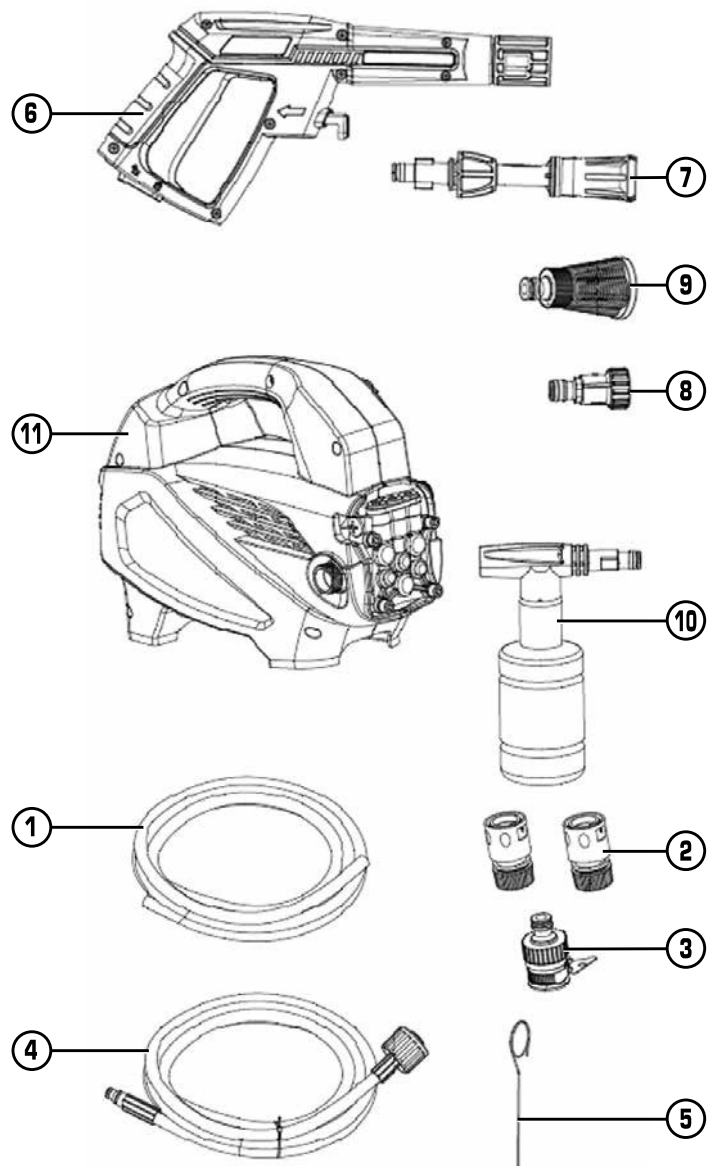
► No deje la hidrolavadora funcionando sin tener lo bien sujeto ► Hágala funcionar cuando esté seguro de que la tiene plenamente controlada ► No apunte con la hidrolavadora a nadie durante su funcionamiento ► Durante la operación, la hidrolavadora puede producir vibración ► Los tornillos pueden ir aflojándose progresivamente pudiendo causar una avería o accidente ► Aleje las manos de las partes en movimiento de la hidrolavadora.

AL TERMINAR DE TRABAJAR.

► No toque los accesorios instalados en la hidrolavadora tras su uso ► Pueden estar muy calientes y causar una quemadura ► Algunos materiales sobre los que se trabaja pueden contener químicos o componentes que pueden ser tóxicos ► Tenga cuidado para prevenir la inhalación de estas sustancias o el contacto con la piel ► Utilice los EPIs diseñados para prevenir y protegerse de dichas incidencias.

DESCRIPCIÓN DEL PRODUCTO.

► La hidrolavadora se ha diseñado para realizar trabajos de limpieza ► Observe este esquema para familiarizarse con la hidrolavadora antes de utilizarla.



1. Manguera entrada agua.
2. Conector rápido.
3. Conector grifo.
4. Manguera alta presión.
5. Pasador limpieza.
6. Pistola.
7. Boquilla pulverización regulable.
8. Conector entrada agua.
9. Filtro entrada agua.
10. Botella detergente.
11. Hidrolavadora.

INSTRUCCIONES DE USO.

► Antes de efectuar la puesta en marcha de la hidrolavadora, es aconsejable leer completa y minuciosamente todas las instrucciones que se indican ► Asimismo, deberán tenerse en cuenta las normas para la prevención de accidentes, reglamentos y directivas, las leyes y las restricciones vigentes para los centros

de trabajo ► La hidrolavadora debe de ser utilizada únicamente por personas instruidas adecuadamente en su manejo y exclusivamente conforme a los fines previstos.

FUENTE DE ALIMENTACIÓN.

► Asegúrese de que la fuente de alimentación se ajusta a los requisitos especificados en la placa de datos de la hidrolavadora (1) ► Hacer funcionar el motor a bajo voltaje hará que éste opere lento ► Esto reducirá el rendimiento y puede causar que el motor se sobrecaliente.

CABLE DE PROLONGACIÓN.

► Cuando la zona de trabajo esté alejada de la fuente de alimentación, haga uso de un cable de prolongación de suficiente diámetro y calidad.

MONTAJE.

► Introduzca la boquilla de pulverización regulable en la pistola; empuje y gire la boquilla en el sentido de las agujas del reloj sobre la pistola hasta que quede bloqueada ► Todos los accesorios deben insertarse en la pistola para un uso correcto (2) ► Atornille la manguera de alta presión (3) ► Precaución; antes de utilizar la hidrolavadora, asegúrese de que la manguera de alta presión ha sido completamente desenrollada ► Mientras la hidrolavadora esté en funcionamiento, la manguera de alta presión no debe hacer bucles ► Conecte la manguera de alta presión a la pistola; insértela y conéctela rápidamente para evitar fugas ► Presione el botón de bloqueo de la manguera y podrá extraer la manguera de alta presión (4) ► Inserte la boquilla de detergente en la pistola ► Empuje y gire la boquilla de detergente en el sentido de las agujas del reloj sobre la pistola hasta que esté bien apretada para bloquearla en su sitio (5) ► Atornille el conector rápido y el filtro en la tubería de entrada de agua (6) ► Conecte la manguera a ambos extremos de la manguera de entrada de agua y luego conecte la manguera de entrada de agua a la manguera del grifo y a la hidrolavadora (7, 8, 9) ► Precaución; antes de conectar el conector rápido a la hidrolavadora, compruebe que el filtro está montado en la entrada de agua y que no está bloqueado; si no se monta el filtro se dañarán las válvulas de la bomba.

PUESTA EN MARCHA.

► Advertencia; la manguera de alta presión no debe hacer bucles ► Advertencia; siempre apague el motor antes de apagar el suministro de agua ► El motor podría sufrir daños graves si

funciona sin agua ► Abra completamente el grifo de suministro de agua ► Desbloquee el gatillo (presionando primero el botón de seguridad y luego accione el gatillo) durante unos segundos; deje que el agua salga de la boquilla ► Compruebe si hay fugas de agua en las juntas; en caso afirmativo, vuelva a conectar la manguera de agua, la pistola o la lanza para asegurarse de que cada accesorio esté perfectamente conectado ► Conecte a la fuente de alimentación ► Ponga el interruptor de encendido en la posición encendido (10) ► Accione el gatillo y ponga en marcha la hidrolavadora ► Advertencia; compruebe que la tensión y la frecuencia de alimentación coinciden con las especificadas en la placa de datos ► La hidrolavadora sólo debe conectarse a la red eléctrica a través de un interruptor de seguridad (max 30mA) para cortar el suministro eléctrico en caso de cortocircuito.

DETENCIÓN HIDROLAVADORA.

► Advertencia; siempre apague el motor de la hidrolavadora antes de cortar el suministro de agua ► El motor podría sufrir daños graves si la hidrolavadora funciona sin agua ► Suelte el gatillo y el motor se detendrá ► Coloque el interruptor en la posición apagado ► Desconecte el enchufe de la toma de corriente ► Advertencia; si no se siguen estas instrucciones, se pueden producir daños en la hidrolavadora.

CAMBIO ACCESORIOS.

► Suelte el gatillo ► Desconecte el interruptor de encendido ► Desmonte la boquilla de pulverización regulable ► Monte la boquilla de pulverización regulable y la botella de detergente ► Precaución; nunca desconecte la manguera de descarga de alta presión de la hidrolavadora mientras el sistema esté presurizado ► Para despresurizar, apague el motor, apague el suministro de agua y apriete el gatillo 3 veces.

BOTÓN SEGURIDAD PISTOLA.

► Presione el botón de desbloqueo y luego accione el gatillo ► Cuando suelte el gatillo, éste puede regresar a la posición de apagado automáticamente ► Cuando no utilice la hidrolavadora, pulse el botón de bloqueo para evitar que se accione accidentalmente (11).

AGARRE PISTOLA.

► Agarre en la posición correcta, con una mano en el mango y la otra en la boquilla de pulverización ajustable.

USO DETERGENTE.

► Agregue detergente al depósito y móntelo
► Inserte el extremo del dispensador de detergente con la lengüeta de plástico en la apertura de la pistola pulverizadora, empuje y gire en el sentido de las agujas del reloj para bloquear el dispensador de detergente y la pistola pulverizadora (12) ► El uso de detergentes puede reducir drásticamente el tiempo de limpieza y ayudar a eliminar manchas difíciles ► El uso de detergentes más gruesos, como el jabón para vajilla, obstruirá el sistema de inyección de productos químicos e impedirá la aplicación del detergente ► Existen detergentes específicos para el uso de hidrolavadoras ► Estos detergentes son aproximadamente tan gruesos como el agua ► El uso de detergentes más gruesos, como el jabón para lavar platos, obstruirá el sistema de inyección de químicos y evitará la aplicación del detergente ► El poder de limpieza de los detergentes proviene de aplicarlos a una superficie y dando a los productos químicos tiempo para romper la suciedad y la mugre ► Los detergentes funcionan mejor cuando se aplican a baja presión.

FILTRO ENTRADA AGUA.

► El filtro de entrada de agua debe ser inspeccionado regularmente, para evitar obstrucciones y restricciones en el suministro de agua a la bomba (13).

BOQUILLA PULVERIZACIÓN.

► La boquilla de pulverización regulable le permitirá usar cualquier variedad de patrón de aspersión, desde una aspersión de abanico completo (14) hasta una aspersión de chorro directo (15)
► Cuando utilice la hidrolavadora para limpiar cubiertas de madera, revestimientos, vehículos, etc., siempre comience a usar el rociador en abanico y comience a rociar desde un mínimo de 1 metro de distancia para evitar dañar la superficie del material que está limpiando ► Comience siempre rociando en un área de prueba libre de personas y objetos ► Advertencia; el chorro de alta presión pueden ser peligroso y no debe estar dirigido a personas, equipos eléctricos bajo tensión o la propia hidrolavadora ► No dirija el chorro contra usted o contra otras personas para limpiar la ropa o el calzado.

PASADOR LIMPIEZA.

► Para usar el pasador de limpieza, inserte el cable en el orificio de la boquilla y muévase hacia adelante y hacia atrás hasta que se desprenda la suciedad (16).

APAGADO.

► Cuando termine de usar la hidrolavadora, siga estos pasos para apagar ► Gire la hidrolavadora a la posición apagado ► Cierre el suministro de agua ► Antes de desconectar la conexión de manguera de alta presión, apunte la pistola en una dirección segura y descargue el agua a alta presión ► Desconecte la manguera de alta presión de la hidrolavadora y de la pistola ► Desconecte la manguera de suministro de agua ► Retire el exceso de agua de la bomba inclinando la hidrolavadora a ambos lados para drenar el agua restante de los accesorios de entrada y salida ► Retire el filtro de entrada de agua y enjuague con agua para eliminar la suciedad o los residuos ► Retire el filtro una vez limpiado ► Drene el depósito de detergente y enjuague con agua corriente ► Limpie cualquier resto de agua en todas las piezas y accesorios ► Active la cerradura de seguridad de la pistola ► Guarde la hidrolavadora, las piezas y los accesorios en un área con una temperatura superior a 0° C.

MANTENIMIENTO.

► Este hidrolavadora tiene un sistema de lubricación cerrado, por lo que no es necesario añadir aceite
► Compruebe que todas las mangueras y accesorios no estén dañados antes de usarlos ► Compruebe periódicamente si hay depósitos en el filtro de entrada ► Limpie este filtro regularmente para obtener el máximo rendimiento ► La hidrolavadora ha sido diseñada para funcionar durante mucho tiempo con un mínimo mantenimiento ► El funcionamiento óptimo depende del buen cuidado de la hidrolavadora y de una limpieza frecuente ► Para evitar accidentes, desconecte siempre la hidrolavadora de la fuente de alimentación antes de efectuar la limpieza o cualquier mantenimiento de la misma ► La hidrolavadora debe limpiarse de manera eficaz utilizando aire comprimido al final de cada uso ► Utilice siempre gafas protectoras cuando trabaje con aire comprimido ► Si no puede utilizar aire comprimido, retire el polvo de la hidrolavadora sirviéndose de un cepillo ► Las ranuras de ventilación del motor y los interruptores deben estar siempre limpios y sin ninguna clase

de residuo ► No intente limpiarlos introduciendo objetos puntiagudos a través de las aberturas
► Algunos productos de limpieza y disolventes dañan los componentes de plástico, entre los cuales se encuentran la gasolina, el tetraclorometano, los disolventes de limpieza clorados, el amoníaco y los productos de limpieza domésticos que contienen amoníaco ► No utilice ninguno de los productos mencionados para limpiar la hidrolavadora ► En el caso de que se produzcan chispas de modo excesivo, haga que el servicio oficial de reparación Werku® le revise y/o reemplace las escobillas.

PROTECCIÓN DEL MEDIO AMBIENTE.

► Los materiales y componentes que han sido utilizados para fabricar este producto pueden ser reutilizados y reciclados ► Werku® está adherido a un Sistema Integrado de Gestión que se encarga de la correcta eliminación de los residuos de este producto ► No elimine este producto en la basura doméstica ► Werku® ofrece a sus clientes un servicio gratuito de retirada de dichos residuos en cualquiera de sus puntos de venta, en los puntos de recogida establecidos por el Sistema Integrado de Gestión o en los puntos limpios de su localidad.

GARANTÍA Y SERVICIO TÉCNICO.

► Además de la garantía legal, Werku® ofrece una garantía comercial adicional ► Esta garantía comercial cubre la reparación de los defectos que se aprecian debido a fallos en los materiales o en la fabricación ► Para ello es imprescindible que los defectos se produzcan dentro del periodo de validez ► El consumidor tiene derecho a la reparación gratuita de los defectos que Werku® reconoce como incluidos en la garantía comercial (gastos de envío, mano de obra y materiales incluidos), a elección de Werku®, bien mediante la reparación o mediante la sustitución (si es necesario por un modelo posterior) ► Esta garantía comercial no afecta los derechos del consumidor establecidos por ley según la Directiva 1999/44/CE ► El periodo de validez de esta garantía comercial es de 24 meses ► En caso de destinar el producto a un uso profesional o industrial, el periodo de validez es de 12 meses ► El periodo de validez se inicia en la fecha de compra por el primer consumidor ► Esta fecha se refleja en la factura o ticket de compra ► La acción para reclamar el cumplimiento de esta garantía comercial

prescribe a los seis meses desde la finalización del periodo de validez ► La reclamación en virtud de esta garantía comercial debe de presentarse al distribuidor o al Servicio de Asistencia Técnica ► Para ello es imprescindible presentar esta garantía debidamente cumplimentada y sellada por el distribuidor, junto con la factura o ticket de compra ► Para cualquier información referente a esta garantía comercial el comprador y/o el distribuidor puede ponerse en contacto con el Servicio de Asistencia Técnica a través del teléfono +34 981 648 119, o mediante correo electrónico a info@werku.com ► Quedan excluido de esta garantía comercial los defectos que han sido causados por piezas desgastadas por el uso u otro tipo de desgaste natural, los defectos que han sido causados por inobservancia o incumplimiento de las instrucciones de uso y funcionamiento, o de aplicaciones no conformes con el uso al que se destina este producto, o de factores medioambientales anormales, o de sobrecarga, de mantenimiento o limpieza inadecuados, defectos que han sido causados por el uso de accesorios, complementos o repuestos que no son piezas originales Werku®, si el producto ha sido total o parcialmente desmontado, modificado o reparado por personal ajeno al Servicio de Asistencia Técnica o las irregularidades mínimas e irrelevantes para el uso y funcionamiento adecuado ► Las reparaciones y sustituciones no prolongan ni renuevan el plazo de validez de esta garantía comercial ► Las piezas sustituidas pasan a ser propiedad de Werku® ► Si el comprador remite el producto al Servicio de Asistencia Técnica, no cumpliendo con las condiciones de esta garantía comercial, los gastos y riesgos del transporte corren a cargo del comprador ► Esta garantía comercial es válida dentro del territorio de la Unión Europea ► La empresa responsable del cumplimiento de esta garantía comercial Werku® es Werku Tools SA.

ASESORAMIENTO TÉCNICO.

► Werku® pone a su disposición su departamento técnico para resolver cualquier duda que pueda surgir sobre sus productos ► En caso de que desee establecer contacto con nuestro equipo, remita un correo electrónico a la dirección info@werku.com.

CE KONFORMITÄTSERKLÄRUNG.

► Werku® erklärt dass der **WK400890**

Hochdruckreiniger in Übereinstimmung ist mit den europäischen Richtlinien und Normen 2006/42/CE, EN60335-1:2012/A11:2014, EN60335-2-79:2012 und EN62233:2008.



La Coruña, 01/07/2019

R Yáñez

Werku Tools SA

TECHNISCHE DATEN.

► Spannung-Frequenz 230V~50Hz ► Leistung 1300W ► Klasse I ► Schutzindex IPX5
► Umdrehungen 2800 min⁻¹ ► Arbeitsdruck 70 bar ► Maximale Druck 100 bar ► Arbeitsfließ 6 l/min⁻¹ ► Maximale Fließ 6.5 l/min⁻¹ ► Maximale Temperatur 50° C ► Nettogewicht 10 kg
► Schalldruck LpA ≤75 dB(A) ► Schallleistung LwA ≤86 dB(A) ► Vibration Aw ≤2.0 m/s².

PIKTOGRAMME.



Beachtung



Risiko eines elektrischen Schlages



Nicht direkt an die Wasserversorgung anschließen



Gefahr eines Hochdruckstrahls



Lesen Sie die Bedienungsanleitung



Augenschutz verwenden



Handschutz verwenden



Körperschutz verwenden



Europäische Konformität



Doppelisolierung



Elektro- und Elektronikaltgeräte

SICHERHEITSHINWEISE

► Lesen Sie alle Sicherheitshinweise und die gesamte Gebrauchsanleitung ► Die Nichteinhaltung aller im Folgenden aufgeführten Sicherheitshinweise und der Gebrauchsanleitung kann zum Elektroschock, Brand und/oder schweren Verletzungen führen ► Heben Sie alle Sicherheitshinweise und die gesamte Gebrauchsanleitung zum späteren Nachlesen auf ► Unfälle können häufig vermieden werden, wenn man sich im Voraus der Gefährlichkeit einer Situation bewusst ist und die angemessenen Sicherheitsverfahren hundertprozentig einhält ► Verwenden Sie diese Hochdruckreiniger niemals zu anderen Zwecken, als zu den in dieser Anleitung aufgeführten.

ELEKTRISCHE KOMPONENTEN.

► Gefahr; Gefahr eines Stromschlages
► Netzstecker und Steckdose niemals mit feuchten Händen anfassen ► Netzanschlussleitung mit Netzstecker vor jedem Betrieb auf Schäden prüfen ► Beschädigte Netzanschlussleitung unverzüglich durch autorisierten Kundendienst / Elektrofachkraft austauschen lassen ► Gerät mit beschädigter Netzanschlussleitung nicht in Betrieb nehmen ► Alle stromführenden Teile im Arbeitsbereich müssen strahlwassergeschützt sein ► Netzstecker und Kupplung einer Verlängerungsleitung müssen wasserdicht sein und dürfen nicht im Wasser liegen ► Die Kupplung darf weiterhin nicht auf dem Boden liegen ► Es wird empfohlen, Kabeltrommeln zu verwenden, die gewährleisten, dass die Steckdosen sich mindestens 60 mm über dem Boden befinden ► Darauf achten, dass Netzanschluss und Verlängerungsleitung nicht durch Überfahren, Quetschen, Zerrren oder dergleichen verletzt oder beschädigt werden ► Die Netzanschlussleitungen vor Hitze, Öl und scharfen Kanten schützen ► Vor allen Pflege- und Wartungsarbeiten das Gerät ausschalten und den Netzstecker ziehen ► Reparaturarbeiten und Arbeiten an elektrischen Bauteilen dürfen nur vom autorisierten Kundendienst durchgeführt werden ► Warnung; Das Gerät darf nur an einen elektrischen Anschluss angeschlossen werden,

der von einem Elektroinstallateur gemäß IEC 60364 ausgeführt wurde ► Das Gerät nur an Wechselstrom anschließen ► Die Spannung muss mit dem Typenschild des Gerätes übereinstimmen ► Schutzklasse I ► Geräte dürfen nur an ordnungsgemäß geerdete Stromquellen angeschlossen werden ► Aus Sicherheitsgründen empfehlen wir grundsätzlich, das Gerät über einen Fehlerstromschutzschalter (max. 30 mA) zu betreiben ► Eine ungeeignete elektrische Verlängerungsleitung kann gefährlich sein ► Im Freien nur eine dafür zugelassene, entsprechend gekennzeichnete, elektrische Verlängerungsleitung mit ausreichendem Leitungsquerschnitt verwenden: 1 - 10 m: 1,5 mm² ; 10 - 30 m: 2,5 mm² ► Verlängerungsleitung immer vollständig von der Kabeltrommel abwickeln.

SICHERER UMGANG.

► Gefahr; Der Benutzer hat das Gerät bestimmungsgemäß zu verwenden ► Er hat die örtlichen Gegebenheiten zu berücksichtigen und beim Arbeiten mit dem Gerät auf Personen im Umfeld zu achten ► Wichtige Komponenten, wie Hochdruckschlauch, Handspritzpistole und Sicherheitseinrichtungen, vor jedem Betrieb auf Schäden prüfen ► Beschädigte Komponenten unverzüglich austauschen ► Gerät mit beschädigten Komponenten nicht in Betrieb nehmen ► Hochdruckstrahlen können bei unsachgemäßem Gebrauch gefährlich sein ► Der Strahl darf nicht auf Personen, Tiere, aktive elektrische Ausrüstung oder auf das Gerät selbst gerichtet werden ► Den Hochdruckstrahl nicht auf andere oder sich selbst richten, um Kleidung oder Schuhwerk zu reinigen ► Fahrzeugreifen/ Reifventile können durch den Hochdruckstrahl beschädigt werden und platzen ► Erstes Anzeichen hierfür ist eine Verfärbung des Reifens ► Beschädigte Fahrzeugreifen/Reifventile sind lebensgefährlich ► Mindestens 30 cm Strahlabstand bei der Reinigung einhalten! ► Warnung; Das Gerät nicht verwenden, wenn sich andere Personen in Reichweite befinden, es sei denn, sie tragen Schutzkleidung ► Das Gerät darf nicht von Kindern oder nicht unterwiesenen Personen betrieben werden ► Dieses Gerät ist nicht dafür bestimmt, durch Personen mit eingeschränkten physischen, sensorischen oder geistigen Fähigkeiten oder mangels Erfahrungen und/oder mangels Wissen benutzt zu werden, es sei denn, sie werden durch eine für ihre Sicherheit zuständige Person beaufsichtigt oder erhalten von ihr Anweisungen, wie das Gerät zu

benutzen ist und haben die daraus resultierenden Gefahren verstanden ► Kinder dürfen mit dem Gerät nicht spielen ► Kinder beaufsichtigen, um sicherzustellen, dass sie nicht mit dem Gerät spielen ► Vorsicht; Vor allen Tätigkeiten mit oder am Gerät Standsicherheit herstellen, um Unfälle oder Beschädigungen durch Umfallen des Geräts zu vermeiden ► Durch den austretenden Wasserstrahl an der Hochdruckdüse wirkt eine Rückstoßkraft auf die Handspritzpistole ► Für sicheren Stand sorgen, Handspritzpistole und Strahlrohr gut festhalten ► Das Gerät niemals unbeaufsichtigt lassen, solange es in Betrieb ist ► Achtung; Bei längeren Arbeitspausen Gerät am Geräteschalter ausschalten ► Das Gerät nicht bei Temperaturen unter 0° C betreiben.

SONSTIGE GEFAHREN.

► Gefahr; Der Betrieb in explosionsgefährdeten Bereichen ist untersagt ► Keine Gegenstände abspritzen, die gesundheitsgefährdende Stoffe (z.B. Asbest) enthalten ► Niemals lösungsmittelhaltige Flüssigkeiten oder unverdünnte Säuren und Lösungsmittel ansaugen! ► Dazu zählen z.B. Benzin, Farbverdünner oder Heizöl ► Der Sprühnebel ist hochentzündlich, explosiv und giftig ► Kein Aceton, unverdünnte Säuren und Lösungsmittel verwenden, da sie die am Gerät verwendeten Materialien angreifen ► Verpackungsfolien von Kindern fernhalten, es besteht Erstickungsgefahr! ► Warnung; Gemäß gültigen Vorschriften darf das Gerät nie ohne Systemtrenner am Trinkwassernetz betrieben werden ► Stellen Sie sicher, dass der Anschluss Ihrer Hauswasseranlage, an dem der Hochdruckreiniger betrieben wird, mit einem Systemtrenner gemäß EN 12729 Typ BA ausgestattet ist ► Wasser, das durch einen Systemtrenner geflossen ist, gilt nicht mehr als Trinkwasser ► Hochdruckschläuche, Armaturen und Kupplungen sind wichtig für die Gerätesicherheit ► Nur vom Hersteller empfohlene Hochdruckschläuche, Armaturen und Kupplungen verwenden ► Beim Trennen von Zulauf- oder Hochdruckschlauch kann nach dem Betrieb heißes Wasser aus den Anschlüssen austreten ► Bei der Auswahl des Lagerortes und beim Transport das Gewicht des Gerätes (siehe Technische Daten) beachten, um Unfälle oder Verletzungen zu vermeiden ► Bei Geräten mit einem Hand-Arm Vibrationswert > 2,5 m/s² (siehe Technische Daten) ► Vorsicht; Mehrstündige, ununterbrochene Benutzung des Gerätes kann in seltenen Fällen zu Taubheitsgefühlen in den Händen führen

- ▶ Handschuhe tragen ▶ Hände warmhalten
- ▶ Regelmäßige Arbeitspausen einlegen.

ARBEITEN MIT REINIGUNGSMITTEL.

▶ Warnung; Dieses Gerät wurde entwickelt für die Verwendung von Reinigungsmitteln, die vom Hersteller geliefert oder empfohlen werden ▶ Die Verwendung von anderen Reinigungsmitteln oder Chemikalien kann die Sicherheit des Gerätes beeinträchtigen ▶ Die falsche Verwendung von Reinigungsmitteln kann schwere Verletzungen oder Vergiftungen verursachen ▶ Reinigungsmittel für Kinder unzugänglich aufbewahren.

SICHERHEITSEINRICHTUNGEN.

▶ Vorsicht; Sicherheitseinrichtungen dienen dem Schutz des Benutzers und dürfen nicht verändert oder umgangen werden.

PERSÖNLICHE SCHUTZAUSRÜSTUNG.

▶ Vorsicht; Zum Schutz vor zurückspritzendem Wasser oder Schmutz geeignete Schutzkleidung und Schutzbrille tragen ▶ Während des Gebrauchs von Hochdruckreinigern können Aerosole entstehen ▶ Das Einatmen von Aerosolen kann gesundheitliche Schäden zur Folge haben ▶ Abhängig von der Anwendung können vollständig abgeschirmte Düsen (z. B. Flächenreiniger) zur Hochdruckreinigung verwendet werden, die den Ausstoß von wässrigen Aerosolen deutlich verringern ▶ Der Einsatz einer solchen Abschirmung ist nicht bei allen Anwendungen möglich ▶ Wenn der Einsatz einer vollständig abgeschirmten Düse nicht möglich ist, sollte eine Atemschutzmaske der Klasse FFP2 oder vergleichbar, abhängig von der zu reinigenden Umgebung, verwendet werden.

EIN SICHERER ARBEITSPLATZ.

▶ Der Arbeitsplatz muss sauber und gut beleuchtet sein ▶ Unordentliche und dunkle Stellen verursachen Unfälle ▶ Verwenden Sie elektrisches Werkzeug niemals in einer explosionsfähigen Atmosphäre, wie in der Nähe von brennbaren Flüssigkeiten, Gasen und Stäuben ▶ Wenn Sie mit einem elektrisch gereedschap arbeiten, müssen Kinder und Neugierige fern bleiben ▶ Ablenkungen können dazu führen, dass Sie die Kontrolle über das Werkzeug verlieren.

PERSÖNLICHE SICHERHEIT.

▶ Seien Sie aufmerksam, achten Sie auf das, was Sie gerade tun und setzen Sie Ihren gesunden Menschenverstand ein, wenn Sie mit einem

elektrisch gereedschap arbeiten ▶ Verwenden Sie kein elektrisches Werkzeug, wenn Sie müde sind oder unter dem Einfluss von Drogen, Alkohol oder Medikamenten stehen ▶ Ein Augenblick, in dem Sie abgelenkt sind, während Sie mit einem elektrisch gereedschap arbeiten, kann zu schweren Personenschäden führen.

NICHT AUF ZEHENSPITZEN STEHEND ARBEITEN.

▶ Stehen Sie mit den Füßen fest auf dem Boden und achten Sie darauf, das Gleichgewicht nicht zu verlieren ▶ So kontrollieren Sie in unvorhergesehenen Situationen das elektrische Werkzeug besser.

ANGEMESSENE KLEIDUNG.

▶ Tragen Sie weder lockere Kleidung noch Schmuck ▶ Halten Sie Haare, Kleidung und Handschuhe von beweglichen Teilen fern ▶ Lockere Kleidung, Schmuck und lange Haare können von den beweglichen Teilen eingeklemmt werden ▶ Falls Anschlüsse für Entstaubungsvorrichtungen vorhanden sind, gewährleisten Sie, dass diese korrekt angeschlossen sind und richtig verwendet werden ▶ Die Verwendung dieser Geräte kann Risiken im Zusammenhang mit Staub verringern.

KEIN KABELMISSBRAUCH.

▶ Benutzen Sie das Kabel nie, um das Elektrowerkzeug zu tragen, zu ziehen oder von der Steckdose abzutrennen ▶ Halten Sie das Kabel fern von Hitze, Öl, scharfen Kanten oder beweglichen Teilen ▶ Beschädigte oder verwickelte Kabel bergen ein erhöhtes Stromschlagrisiko ▶ Falls Sie ein Elektrowerkzeug im Freien benutzen, müssen Sie ein entsprechend geeignetes Verlängerungskabel verwenden ▶ Bei Verwendung eines für Außeneinsätze geeigneten Verlängerungskabels besteht eine geringere Stromschlaggefahr ▶ Sollte der Einsatz eines Werkzeugs in einer feuchten Umgebung unvermeidlich sein, verwenden Sie eine Fehlerstromschutzeinrichtung ▶ Eine solche Schutzeinrichtung senkt die Stromschlaggefahr.

BENUTZUNG UND PFLEGEN VON ELEKTROWERKZEUGEN.

▶ Wenden Sie bei der Benutzung des Elektrowerkzeugs keine Gewalt an

► Verwenden Sie ein für den jeweiligen Zweck geeignetes Elektrowerkzeug ► Ein geeignetes Elektrowerkzeug verrichtet die Arbeit besser und sicherer ► Benutzen Sie das Elektrowerkzeug nicht, wenn es sich mit dem Schalter nicht ein- und ausschalten lässt. ► Ein Elektrowerkzeug, das sich nicht mehr mit dem Schalter kontrollieren lässt, ist gefährlich und muss repariert werden ► Ziehen Sie den Netzstecker und/oder entfernen Sie den Netzkaku, bevor Sie Einstellungen vornehmen, Zubehör wechseln oder das Gerät lagern ► Solche Vorsichtsmaßnahmen verringern das Risiko eines versehentlichen Gerätstarts.

AUFBEWAHRUNG VON WERKZEUG MIT DRUCKLUFT.

► Bewahren Sie die abgeschaltete Hochdruckreiniger außerhalb der Reichweite von Kindern und Personen, die mit elektrisch gereedschappen und dieser Gebrauchsanleitung nicht vertraut sind, auf ► Elektrisches Werkzeug sind in den Händen ungeübter Benutzer gefährlich.

WARTUNG.

► Stellen Sie sicher, dass die beweglichen Teile nicht falsch ausgerichtet oder verklemmt sind, dass es keine defekten Teile oder andere Bedingungen gibt, die das Funktionieren elektrisches Werkzeug beeinträchtigen könnten ► Wenn ein elektrisches Werkzeug beschädigt ist, muss es vor seiner Verwendung repariert werden ► Viele Unfälle werden von schlecht gewarteten elektrisch gereedschappen verursacht ► Benutzen Sie das elektrische Werkzeug sowie dessen Zubehör gemäß dieser Gebrauchsanleitung und so, wie es für den jeweiligen Werkzeugtyp vorgesehen ist ► Berücksichtigen Sie die Arbeitsbedingungen und die Art der auszuführenden Arbeit ► Eine zweckfremde Verwendung des elektrisches Werkzeug kann gefährlich sein ► Lassen Sie Ihr elektrisches Werkzeug von einem qualifizierten Reparaturdienst von Werku® überprüfen und verwenden Sie nur Originalersatzteile ► Das garantiert eine dauerhafte Sicherheit Ihres elektrisches Werkzeug.

VOR ARBEITSBEGINN.

► Vor Verwendung der Hochdruckreiniger stellen Sie sicher, dass diese fest aufliegt ► Achten Sie darauf, dass sich niemand unterhalb des Einflussbereiches der Hochdruckreiniger befindet, wenn Sie in der Höhe arbeiten ► Halten Sie die Hände fern von den beweglichen Teilen der Hochdruckreiniger.

BEI BETRIEB.

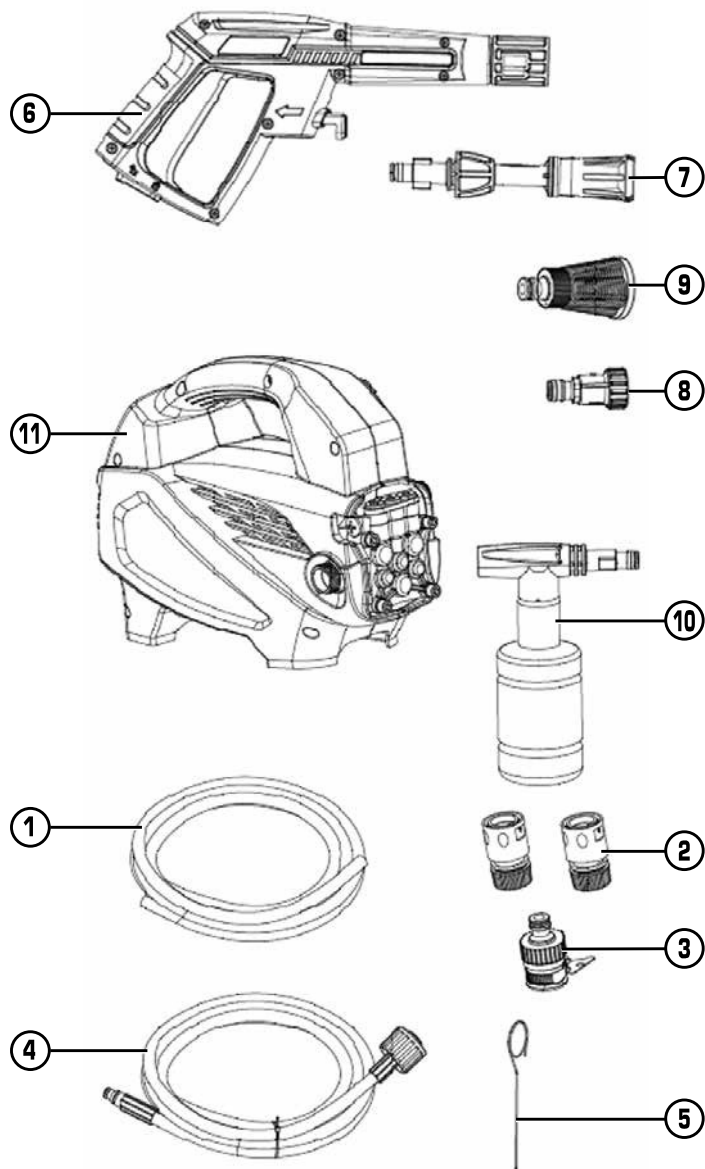
► Wenn die Hochdruckreiniger nicht fest in den Händen liegt, lassen Sie sie ausgeschaltet ► Nehmen Sie sie nur in Betrieb, wenn Sie sich sicher sind, dass Sie sie vollständig unter Kontrolle haben ► Zielen Sie auf niemanden mit eingeschalteter Hochdruckreiniger ► Beim Arbeiten kann die Hochdruckreiniger vibrieren ► Die Schrauben können sich nach und nach lösen und eine Störung oder einen Unfall verursachen ► Halten Sie die Hände von den beweglichen Teilen der Hochdruckreiniger fern.

NACH ARBEITSENDE.

► Berühren Sie nach Gebrauch nicht das an der Hochdruckreiniger angebrachte Zubehör ► Es kann sehr heiß sein und Verbrennungen verursachen ► Einige Materialien, mit denen gearbeitet wird, können toxische chemische Substanzen enthalten ► Seien Sie vorsichtig und vermeiden Sie das Einatmen dieser Substanzen und den Hautkontakt damit ► Verwenden Sie die PSA, um sich vor solchen Zwischenfällen zu schützen und diese zu vermeiden.

ZUSÄTZLICHE SICHERHEITSHINWEISE. PRODUKTBESCHREIBUNG.

► Die Hochdruckreiniger dient zur Durchführung von Reinigungsarbeiten ► Beachten Sie dieses Schema, um sich mit der Hochdruckreiniger vor ihrer Verwendung vertraut zu machen.



1. Wasserzulaufschlauch.
2. Schnellanschluss.
3. Wasserhahnanschluss.
4. Hochdruckschlauch.
5. Reinigungsstift.
6. Sprühpistole.
7. Verstellbare Sprühdüse.
8. Wasserzulaufanschluss.
9. Wasserzulauffilter.
10. Reinigungsmittelflasche.
11. Hochdruckreiniger.

BEDIENUNGSANLEITUNG.

► Bevor Sie die Hochdruckreiniger einschalten, sollten Sie alle angegebenen Anweisungen vollständig und gründlich durchlesen ► Ebenso sollten Unfallverhütungsvorschriften, Regeln und Richtlinien sowie die für die Betriebe geltenden Gesetze und Einschränkungen berücksichtigt werden ► Die Hochdruckreiniger darf nur von in ihrer Bedienung angemessen geschulten Personen und ausschließlich zu den vorgesehenen Zwecken verwendet werden.

STROMVERSORGUNG.

► Achten Sie darauf, dass die Stromversorgung den auf dem Typenschild der Hochdruckreiniger angegebenen Anforderungen entspricht (1) ► Das Laufenlassen des Motors mit Unterspannung bewirkt, dass er langsam arbeitet ► Dies verringert die Leistung und kann zur Überhitzung des Motors führen.

VERLÄNGERUNGSKABEL.

► Wenn der Arbeitsbereich von der Stromversorgung entfernt liegt, verwenden Sie ein Verlängerungskabel von ausreichendem Durchmesser und Qualität.

MONTAGE.

► Stecken Sie die verstellbare Sprühdüse in die Sprühpistole; schieben und drehen Sie sie im Uhrzeigersinn, bis sie einrastet ► Das gesamte Zubehör muss zur korrekten Verwendung in die Sprühpistole eingesetzt werden (2) ► Schrauben Sie den Hochdruckschlauch an (3) ► Vorsicht: Vor der Verwendung des Hochdruckreinigers stellen Sie sicher, dass der Hochdruckschlauch vollständig abgewickelt ist ► Während der Hochdruckreiniger in Betrieb ist, darf der Hochdruckschlauch keine Schleifen haben ► Schließen Sie den Hochdruckschlauch an die Sprühpistole an, schieben Sie ihn hinein und schließen Sie ihn schnell an, um Wasseraustritte zu vermeiden ► Mit einem Druck auf die Schlauchverriegelungstaste können Sie den Hochdruckschlauch herausnehmen (4) ► Setzen Sie die Reinigungsmittel-Düse in der Sprühpistole ein ► Drücken Sie die Reinigungsmittel-Düse ein und drehen Sie sie im Uhrzeigersinn in die Pistole, bis sie fest sitzt und einrastet (5) ► Schrauben Sie den Schnellanschluss an und setzen Sie den Filter in die Wasserzulaufleitung ein (6) ► Verbinden Sie den Schlauch mit beiden Enden des Wasserzulaufschlauchs und dann den Wasserzulaufschlauch mit dem Wasserhahnanschlauch und dem Hochdruckreiniger (7,8,9) ► Vorsicht: Bevor Sie den Schnellanschluss an den Hochdruckreiniger anschließen, prüfen Sie, ob der Filter am Wasserzulauf montiert und nicht blockiert ist. Wenn der Filter nicht eingesetzt wird, werden die Pumpenventile beschädigt.

INBETRIEBNAHME.

► Warnung: Der Hochdruckschlauch darf keine Schleifen legen ► Warnung: Schalten Sie den Motor immer aus, bevor Sie die

Wasserversorgung abschalten ▶ Der Motor könnte schwere Schäden erleiden, wenn er trocken läuft ▶ Öffnen Sie den Hahn des Wasserzulaufs vollständig ▶ Entsperren Sie den Abzug (zuerst den Sicherheitsknopf drücken und dann den Abzug betätigen) einige Sekunden lang und lassen Sie das Wasser aus der Düse laufen ▶ Prüfen Sie, ob Wasser an den Dichtungen austritt. Sollte das der Fall sein, schließen Sie den Wasserschlauch, die Sprühpistole und die Lanze erneut an, um sicherzustellen, dass die einzelnen Teile korrekt angeschlossen sind ▶ Stellen Sie den Ein/Aus-Schalter auf EIN. (10) ▶ Betätigen Sie den Abzug und starten Sie den Hochdruckreiniger ▶ Warnung: Vergewissern Sie sich, dass die Spannung und Netzfrequenz mit den Angaben auf dem Typenschild übereinstimmen ▶ Der Hochdruckreiniger darf nur mit einem Sicherheitsschalter (max. 30 mA) an das Netz angeschlossen werden, damit die Stromversorgung im Falle eines Kurzschlusses abgeschaltet werden kann.

HOCHDRUCKREINIGER AUSSCHALTEN.

▶ Warnung: Schalten Sie den Motor des Hochdruckreinigers immer aus, bevor Sie die Wasserversorgung unterbrechen ▶ Der Motor könnte schweren Schaden nehmen, wenn der Hochdruckreiniger ohne Wasser läuft ▶ Wenn Sie den Pistolenabzug loslassen, stoppt der Motor ▶ Stellen Sie den Schalter auf AUS ▶ Ziehen Sie den Stecker aus der Steckdose ▶ Warnung: Bei Nichtbeachtung dieser Anweisungen kann der Hochdruckreiniger beschädigt werden.

ZUBEHÖRTEILE AUSWECHSELN.

▶ Lösen Sie den Abzug ▶ Stellen Sie den Ein-/Aus-Schalter auf OFF/AUS ▶ Montieren Sie die verstellbare Sprühdüse und die Reinigungsmittelflasche ▶ Warnung: Trennen Sie den Hochdruck-Entlastungsschlauch niemals vom Hochdruckreiniger, während das Gerät unter Druck steht ▶ Um Druck abzulassen, schalten Sie den Motor aus, die Wasserversorgung ab und betätigen Sie den Abzug der Pistole dreimal.

SICHERHEITSTASTE DER SPRÜHPISTOLE.

▶ Drücken Sie auf die Entriegelungstaste und dann auf den Abzug ▶ Wenn Sie den Abzug loslassen, kehrt dieser automatisch in die Position AUS zurück ▶ Wenn Sie den Hochdruckreiniger nicht verwenden, drücken Sie die Sperrtaste, damit der Abzug nicht unbeabsichtigt betätigt wird (11).

HALTEN DER SPRÜHPISTOLE.

▶ Halten Sie die Sprühpistole in der richtigen Position, mit einer Hand am Griff und der anderen an der verstellbaren Sprühdüse.

VERWENDUNG VON REINIGUNGSMITTEL.

▶ Gießen Sie das Reinigungsmittel in den Behälter und montieren Sie ihn ▶ Führen Sie das Ende des Reinigungsmitteldosierers mit der Kunststoffflasche in die Öffnung der Sprühpistole, drücken Sie ihn fest und drehen Sie ihn im Uhrzeigersinn, um den Reinigungsmitteldosierer und die Spritzpistole zu verriegeln (12) ▶ Die Verwendung von Reinigungsmitteln kann die Reinigungszeit drastisch reduzieren und helfen, schwierige Flecken zu entfernen ▶ Die Verwendung von zähflüssigen Reinigungsmitteln, wie z.B. Geschirrspülmittel, verstopft das Einspritzsystem für Chemikalien und macht das Auftragen des Reinigungsmittels unmöglich ▶ Es gibt spezifische Reinigungsmittel für Hochdruckreiniger ▶ Diese Reinigungsmittel sind in etwa so zähflüssig wie Wasser ▶ Die Verwendung von zähflüssigen Reinigungsmitteln, wie z.B. Geschirrspülmittel, verstopft das Einspritzsystem für Chemikalien und macht das Auftragen des Reinigungsmittels unmöglich ▶ Damit die Reinigungsmittel gut wirken, werden sie auf die zu reinigende Fläche aufgetragen. Sie müssen eine Zeit lang einwirken, um den Schmutz zu lösen ▶ Reinigungsmittel funktionieren am besten, wenn sie bei niedrigem Druck aufgetragen werden.

WASSERZULAUFFILTER.

▶ Der Wasserzulauffilter sollte regelmäßig überprüft werden, um Verstopfungen und Einschränkungen bei der Wasserversorgung der Pumpe zu vermeiden (13).

SPRÜHDÜSE.

▶ Die verstellbare Sprühdüse bietet Ihnen unterschiedliche Sprühmuster, von einem breitflächigen Strahl (14) bis hin zum Direktstrahl (15) ▶ Wenn Sie den Hochdruckreiniger zum Reinigen von Holzterrassen, Beschichtungen, Fahrzeugen u.ä. verwenden, beginnen Sie immer mit einem breitflächigen Strahl und sprühen Sie aus einem Abstand von mindestens einem Meter, damit die Oberfläche des zu reinigenden Materials nicht beschädigt wird ▶ Beginnen Sie immer mit einem Testbereich, in dem sich keine Personen oder Gegenstände befinden ▶ Warnung: Mit Hochdruck zu sprühen kann gefährlich sein. Der

Strahl darf nicht auf Personen, stromführende elektrische Geräte oder den Hochdruckreiniger selbst gerichtet werden ► Richten Sie den Strahl niemals auf sich selbst oder andere Personen, um Kleidung oder Schuhe zu reinigen.

REINIGUNGSSTIFT.

► Zur Verwendung des Reinigungsstifts, stecken Sie das Kabel in die Öffnung der Düse und bewegen den Stift hin und her, bis der Schmutz entfernt ist (16).

DEN HOCHDRUCKREINIGER AUSSTELLEN.

► Wenn Sie den Hochdruckreiniger nicht mehr verwenden, befolgen Sie bitte die folgenden Anweisungen zum Ausstellen des Geräts: ► Stellen Sie den Hochdruckreiniger auf die Position OFF/AUS ► Schließen Sie die Wasserzufuhr ► Bevor Sie den Hochdruckschlauch abtrennen, richten Sie die Sprühpistole in eine sichere Richtung und lassen Sie das Wasser unter Hochdruck austreten ► Nehmen Sie den Hochdruckschlauch vom Hochdruckreiniger und der Sprühpistole ab ► Demontieren Sie den Wasserzulaufschlauch ► Entfernen Sie das überschüssige Wasser aus der Pumpe durch beidseitiges Kippen des Hochdruckreinigers, damit das restliche Wasser aus den Zu- und Ablaufvorrichtungen abläuft ► Nehmen Sie den Wasserzulauffilter heraus und spülen Sie ihn mit Wasser aus, um Schmutz oder andere Rückstände zu entfernen ► Nehmen Sie den Filter nach der Reinigung heraus ► Entwässern Sie den Reinigungsmittelbehälter und spülen Sie ihn unter fließendem Wasser aus ► Entfernen Sie sämtliches Restwasser aus allen Teilen und dem Zubehör ► Aktivieren Sie die Sicherheitsverriegelung der Sprühpistole ► Lagern Sie den Hochdruckreiniger, die Teile und das Zubehör bei einer Temperatur von über 0° C.

WARTUNG.

► Dieser Hochdruckreiniger ist mit einem geschlossenen Schmiersystem ausgestattet, weshalb kein Öl hinzugefügt werden muss ► Vor der Verwendung überprüfen Sie, dass die Schläuche und Zubehörteile unbeschädigt sind ► Prüfen Sie regelmäßig, ob sich Ablagerungen am Wasserzulauffilter angesammelt haben ► Für eine optimale Leistung des Geräts reinigen Sie diesen Filter regelmäßig ► Die Hochdruckreiniger wurde entworfen, um mit minimaler Wartung lange Zeit zu funktionieren ► Das optimale Funktionieren

hängt von guter Pflege der Hochdruckreiniger und häufiger Reinigung ab ► Um Unfälle zu vermeiden, müssen Sie die Hochdruckreiniger immer von der Steckdose trennen, bevor Sie sie reinigen oder warten ► Die Hochdruckreiniger muss nach jedem Gebrauch wirksam mit Pressluft gereinigt werden ► Verwenden Sie immer eine Schutzbrille, wenn Sie mit Pressluft arbeiten ► Wenn Sie keine Pressluft verwenden, entfernen Sie den Staub der Hochdruckreiniger mit Hilfe einer Bürste ► Die Lüftungsschlitze des Motors und die Schalter müssen immer sauber und ohne jegliche Art von Rückständen sein ► Versuchen Sie nicht, sie durch Einführen spitzer Gegenstände in die Öffnungen zu reinigen ► Einige Reinigungs- und Lösungsmittel wie Benzin, Tetrachlormethan, chlorierte lösemittelbasierte Reiniger, Ammoniak und ammoniakhaltige Haushaltsreiniger beschädigen die Kunststoffteile ► Verwenden Sie keines der genannten Produkte zum Reinigen der Hochdruckreiniger ► Wenn es zu starkem Funkenschlag kommt, veranlassen Sie eine Überprüfung und/oder einen Austausch der Bürsten durch den offiziellen Reparaturservice Werku®.

UMWELTSCHUTZ.

► Die Materialien und Bauteile, die für die Herstellung dieses Produkts verwendet wurden, können recycelt und wiederverwertet werden ► Werku® arbeitet mit einem integrierten Abfallbewirtschaftungssystem, das die korrekte Entsorgung der Rückstände dieses Produkts abwickelt ► Werfen Sie dieses Produkt nicht in den Haushaltsmüll ► Werku® bietet seinen Kunden einen kostenlosen Service, um diese Rückstände von einer der Verkaufsstellen, den vom integrierten Abfallbewirtschaftungssystem eingerichteten Sammelstellen oder den Abfallsammelstellen Ihrer Gemeinde abzuholen.

GARANTIE UND KUNDENSERVICE.

► Neben der gesetzlichen Garantie räumt Werku® Ihnen zusätzlich eine kommerzielle Garantie ein ► Die kommerzielle Garantie umfasst die Reparatur von Mängeln aufgrund von Material- oder Fabrikationsfehlern ► Damit diese Garantie gewährleistet wird, müssen diese Mängel innerhalb des Gültigkeitszeitraums auftreten ► Der Verbraucher hat das Recht auf kostenlose Reparatur von Mängeln, die von Werku® als in der kommerziellen Garantie eingeschlossen anerkannt werden (einschl. Versand-, Verarbeitungs- oder Materialkosten); nach Wahl von Werku® entweder

durch Reparatur oder durch Ersatz (falls erforderlich, durch ein späteres Modell) ► Diese kommerzielle Garantie betrifft nicht die in der EU-Richtlinie 1999/44/EG festgelegten Verbraucherrechte ► Der Gültigkeitszeitraum dieser kommerziellen Garantie beträgt 24 Monate ► Falls das Produkt für den gewerblichen oder industriellen Gebrauch bestimmt ist, beträgt der Gültigkeitszeitraum 12 Monate ► Der Gültigkeitszeitraum beginnt ab dem Datum des Kaufes durch den erstmaligen Verbraucher ► Dieses Datum ist auf der Rechnung oder dem Kaufbeleg enthalten ► Die Zeit für Gewährleistungsansprüche im Hinblick auf die Erfüllung dieser kommerziellen Garantie ist auf sechs Monate ab Ende des Gültigkeitszeitraums festgelegt ► Eine Reklamation im Zusammenhang mit dieser kommerziellen Garantie muss dem Händler oder Kundenservice vorgelegt werden ► Hierzu muss diese Garantie ordnungsgemäß ausgefüllt, vom Händler gestempelt und zusammen mit der Rechnung oder dem Kaufbeleg vorgelegt werden ► Für weitere Informationen zu dieser kommerziellen Garantie können sich der Käufer oder der Händler telefonisch über +34 981 648 119 oder über E-Mail an info@werku.com mit dem Kundenservice in Verbindung setzen ► Ausgenommen von dieser kommerziellen Garantie sind Mängel, die infolge von verschlissenen Teilen durch den Gebrauch oder eine andere Art von natürlichem Verschleiß verursacht wurden, Mängel aufgrund von Unaufmerksamkeit oder Nichtbefolgung der Bedienungsanleitung und unsachgemäßem Betrieb, eine Benutzung, die nicht dem Gebrauch entspricht, für den das Produkt bestimmt ist, ungewöhnliche Umweltfaktoren, Überlastung, unangemessene Wartung oder Reinigung, Mängel aufgrund der Verwendung von Zubehör, Ergänzungen oder Ersatzteilen, die keine Originalteile von Werku® sind, wenn das Produkt durch Personal, das nicht zum Kundenservice gehört, ganz oder teilweise auseinander montiert, verändert oder repariert wurde oder kleine und für den Gebrauch und ordnungsgemäßen Betrieb unwesentliche Unregelmäßigkeiten ► Durch Reparaturen und Ersatz wird der Gültigkeitszeitraum für diese kommerzielle Garantie weder verlängert noch neu festgelegt ► Ersetzte Teile gehen in das Eigentum von Werku® über ► Wenn der Käufer das Produkt an den Kundenservice zurückgibt und dabei nicht die Bedingungen dieser kommerziellen Garantie erfüllt, gehen die Kosten und Gefahren zu Lasten

des Käufers ► Diese kommerzielle Garantie gilt auf dem Gebiet der Europäischen Union ► Das für die Erfüllung der kommerziellen Garantie verantwortliche Unternehmen Werku® ist Werku Tools SA.

TECHNISCHE BERATUNG.

► Werku® stellt Ihnen seine technische Abteilung zur Verfügung, damit Sie alle Fragen, die zu unseren Produkten auftreten könnten, klären können ► Wenn Sie sich mit unserem Team in Verbindung setzen möchten, senden Sie eine E-Mail an folgende Adresse: info@werku.com.

DÉCLARATION DE CONFORMITÉ CE.

► Werku® déclare que le nettoyeur haute pression **WK400890** est en conformité avec les directives et normes européennes 2006/42/CE, EN60335-1:2012/A11:2014, EN60335-2-79:2012 et EN62233:2008.



La Coruña, 01/07/2019
R Yáñez
Werku Tools SA

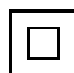
CARACTÉRISTIQUES TECHNIQUES.


► Voltage-fréquence 230V~50Hz ► Puissance 1300W ► Classe I ► Indice de protection IPX5
► Révolutions 2800 min⁻¹ ► Pression travail 70 bar
► Pression maximale 100 bar ► Débit travail 6 l/min
► Débit maximale 6.5 l/min⁻¹ ► Température maximale 50° C ► Poids net 10 kg ► Pression acoustique L_{pA} ≤75 dB(A) ► Pression acoustique L_{wA} ≤86 dB(A) ► Vibration A_w ≤2.0 m/s².

PICTOGRAMMES.

-  Attention
-  Risque de choc électrique
-  Ne pas se connecter directement au réseau d'eau
-  Risque de jet haute pression
-  Lire le manuel d'instructions
-  Utilisez une protection oculaire
-  Utiliser une protection des mains
-  Utiliser une protection corporelle

 Conformité européenne

 Double isolation

 Déchets équipements électriques et électroniques

CONSIGNES DE SÉCURITÉ.

► Veuillez lire toutes les consignes de sécurité et tous les avertissements ► Le non respect de l'ensemble des avertissements et des consignes figurant ci-dessous peut être la cause d'un choc électrique, d'un incendie et/ou de blessures graves ► Conservez tous les avertissements et toutes les consignes pour vous y référer ultérieurement ► Les accidents peuvent dans de nombreux cas être évités en identifiant les situations dangereuses avant qu'un accident ne se produise et en respectant fidèlement les procédures de sécurité adéquates ► N'utilisez jamais ce nettoyeur haute pression dans les cas non spécifiés dans ce manuel.

COMPOSANTS ÉLECTRIQUES.

► Danger; risque d'électrocution ► Ne jamais saisir la fiche secteur ni la prise de courant avec des mains humides ► Vérifier avant chaque utilisation que le câble d'alimentation et la fiche secteur ne sont pas endommagés ► Un câble d'alimentation endommagé doit immédiatement être remplacé par le service après-vente ou un électricien agréé ► Ne pas mettre en service un appareil avec un câble d'alimentation électrique endommagé ► Toutes les pièces conductrices dans la zone de travail doivent être protégées contre les jets d'eau ► La fiche secteur et le couplage d'une conduite de rallonge doivent être étanches et ne doivent pas reposer dans l'eau ► Le raccord ne doit pas se situer sur le sol ► Il est recommandé d'utiliser des enrouleurs de câble qui garantissent le fait que les prises se trouvent à au moins 60 mm au-dessus du sol ► Veiller à ne pas abîmer ni endommager le câble d'alimentation ni le câble de rallonge en roulant dessus, en les coinçant ni en tirant violemment dessus ► Protéger les câbles d'alimentation contre la chaleur, l'huile et les bords tranchants ► Avant tout travail d'entretien et de maintenance, mettre l'appareil hors tension et débrancher la fiche secteur ► Seul le service après-vente agréé est autorisé à effectuer des travaux de réparation ou des travaux concernant les pièces électriques de l'appareil ► Avertissement; l'appareil doit uniquement être raccordé à un

branchement électrique mis en service par un électricien conformément à la norme IEC 60364

- Branchement l'appareil uniquement à du courant alternatif
- La tension doit être identique avec celle indiquée sur la plaque signalétique de l'appareil
- Classe de protection I
- Brancher les appareils uniquement aux sources d'électricité dûment mises à la terre
- Pour des raisons de sécurité, nous recommandons que l'appareil soit exploité avec un disjoncteur de courant de défaut (max. 30 mA)
- Un câble électrique de rallonge inapproprié risque d'être dangereux
- S'il est utilisé en plein air, utiliser pour cela un câble électrique de rallonge homologué, marqué en conséquence et disposant d'une section de câble suffisante: 1 - 10 m: 1,5 mm² ; 10 - 30 m: 2,5 mm²
- Toujours dérouler entièrement les rallonges de l'enrouleur de câble.

MANIPULATION FIABLE.

- Danger; l'utilisateur doit utiliser l'appareil de façon conforme
- Il doit prendre en considération les données locales et lors du maniement de l'appareil, il doit prendre garde aux tierces personnes, et en particulier aux enfants
- Avant toute utilisation, vérifier l'état des composants importants, comme le flexible haute pression, la poignée pistolet et les dispositifs de sécurité
- Remplacer immédiatement les composants endommagés
- Ne pas mettre en service un appareil avec des composants endommagés
- Une utilisation incorrecte des jets haute pression peut présenter des dangers
- Le jet ne doit pas être dirigé sur des personnes, des animaux, des installations électriques actives ni sur l'appareil lui-même
- Ne jamais diriger le jet haute pression sur soi-même ni sur d'autres personnes dans le but de nettoyer les vêtements ou les chaussures
- Le jet haute pression risque d'endommager les pneus/valves de véhicules et les pneus risquent d'éclater
- Le premier indice d'endommagement est une décoloration du pneu
- Des pneus/valves de véhicules endommagés présentent des dangers de mort
- Il faut toujours se tenir au moins à 30 cm des pièces pour les laver au jet!
- Avertissement; l'appareil ne doit jamais être utilisé si d'autres personnes se trouvent dans le rayon de portée de l'appareil, à moins que ces personnes ne portent des vêtements de protection
- L'appareil ne doit jamais être utilisé par des enfants ni par des personnes non avisées
- Cet appareil n'est pas destiné à être utilisé par des personnes ayant des capacités physiques, sensorielles ou mentales réduites ou manquant d'expérience et/ou de connaissances, sauf si ces mêmes personnes sont sous la supervision d'une personne responsable de leur sécurité ou ont été formées à l'utilisation de l'appareil
- Les enfants ne doivent pas jouer avec

- l'appareil
- Surveiller les enfants pour s'assurer qu'ils ne jouent pas avec l'appareil
- Précaution; avant d'effectuer toute opération avec ou sur l'appareil, en assurer la stabilité afin d'éviter tout accident ou tout endommagement dû à une chute de l'appareil
- Le jet d'eau sortant de la buse haute pression provoque une force de recul sur la poignée pistolet
- Veiller à adopter une position stable et à tenir la poignée et la lance fermement
- Ne jamais laisser l'appareil sans surveillance lorsqu'il est en marche
- Attention; lors de pauses prolongées, mettre l'appareil hors service au niveau de l'interrupteur d'appareil
- Ne pas exploiter l'appareil à des températures inférieures à 0° C.

AUTRES DANGERS.

- Danger; Il est interdit d'utiliser l'appareil dans des domaines présentant des risques d'explosion
- Ne jamais laver au jet des objets contenant des substances nocives (par exemple de l'amiante)
- Ne jamais aspirer des liquides contenant des solvants ni des acides ou des solvants non dilués, tels que par exemple de l'essence, du diluant pour peinture ou du fioul!
- Le nuage de pulvérisation est extrêmement inflammable, explosif et toxique
- Ne pas utiliser d'acétone, d'acides ni de solvants non dilués, du fait de leur effet corrosif sur les matériaux constituant l'appareil
- Tenir les feuilles d'emballage hors de la portée d'enfants Risque d'asphyxie!
- Avertissement; conformément à la réglementation en vigueur, l'appareil ne doit pas être exploité sans système de séparation sur le réseau d'eau potable
- S'assurer que le raccord d'eau auquel le nettoyeur haute pression est relié pour son exploitation est équipé d'un système de séparation conforme à la norme EN 12729 type BA
- L'eau qui s'est écoulée à travers un séparateur système est classifiée comme non potable
- Les flexibles haute pression, les armatures et les raccords sont importants pour la sécurité de l'appareil
- N'utiliser que des flexibles haute pression, des armatures et des raccords recommandés par le fabricant
- En cas de séparation du flexible d'amenée ou haute pression, de l'eau chaude peut s'échapper des raccords pendant le fonctionnement
- Précaution; tenir compte du poids de l'appareil (voir les caractéristiques techniques), lors du choix de son emplacement d'entreposage et de son transport, afin d'éviter tout accident ou toute blessure
- Dans le cas d'appareils dont la valeur de vibration au niveau du bras et de la main est > 2,5 m/s² (voir les caractéristiques techniques)
- Précaution; l'utilisation sans interruption de l'appareil pendant plusieurs heures peut être, dans de rares cas, à l'origine de sensation d'engourdissement des mains
- Porter des gants de protection
- Maintenir les mains au chaud
- Veiller à faire des pauses de travail régulières.

TRAVAIL AVEC DÉTERGENT.

► Avertissement; cet appareil a été développé pour l'utilisation de détergents ayant été fournis ou recommandés par le fabricant ► L'utilisation d'autres détergents ou d'autres produits chimiques peut nuire à la sécurité de l'appareil ► La mauvaise utilisation de détergents peut entraîner de sérieuses blessures ou des intoxications ► Conserver les produits de nettoyage hors de la portée des enfants.

DISPOSITIFS SÉCURITÉ.

► Précaution; le but des dispositifs de sécurité est de protéger l'utilisateur ► Ils ne doivent en aucun cas être transformés ou désactivés.

ÉQUIPEMENTS PROTECTION PERSONNELS.

► Précaution; pour se protéger contre les éclaboussures ou les poussières, porter le cas échéant des vêtements et des lunettes de protection ► Aucun aérosol ne peut être créé pendant l'utilisation de nettoyeurs haute pression ► L'inhalation d'aérosols peut entraîner des dommages sur la santé ► En fonction de l'application, il est possible d'utiliser des buses complètement blindées (p. ex. nettoyeur de surface) pour le nettoyage haute pression, car elles réduisent sensiblement l'émission d'aérosols aqueux ► L'utilisation d'une telle blindage ne s'avère pas possible pour toutes les applications ► Si l'utilisation d'une buse intégralement blindée s'avère impossible, utiliser alors un masque respiratoire de la classe FFP2 ou un masque comparable, en fonction de l'environnement à nettoyer.

SÉCURITÉ DE LA ZONE DE TRAVAIL.

► Conservez la zone de travail rangée et bien éclairée ► Les zones mal rangées et mal éclairées sont sources d'accidents ► Ne manipulez pas d'outils électriques dans des environnements explosifs comme en présence de liquides, de gaz ou de poussières inflammables ► Maintenez les enfants et les curieux éloignés pendant que vous manipulez un outil électrique ► Les distractions peuvent être sources d'une perte de contrôle.

SÉCURITÉ PERSONNELLE.

► Soyez vigilant et attentif à ce que vous faites et faites appel à votre bon sens quand vous manipulez un outil électrique ► N'utilisez pas d'outil électrique si vous êtes fatigué ou sous l'influence de drogues, d'alcool ou de médicaments ► Un moment de distraction pendant que vous manipulez des outils électriques peut vous causer de graves blessures corporelles.

NE TRAVAILLEZ PAS SUR LA POINTE DES PIEDS.

► Maintenez vos pieds bien à plat sur le sol et conservez votre équilibre à tout moment ► Cela vous permettra de mieux contrôler l'outil électrique en cas d'imprévu.

HABILLEZ-VOUS EN CONSÉQUENCE.

► Ne portez pas de vêtements flottants ou des bijoux ► Éloignez vos cheveux, vos vêtements et vos gants des pièces en mouvement ► Les vêtements flottants, les bijoux ou les cheveux longs peuvent être pris dans les pièces en mouvement ► S'il existe des dispositifs pour la connexion de moyens d'extraction et de ramassage de la poussière, assurez-vous qu'ils soient branchés et qu'ils fonctionnent correctement ► L'utilisation de ces dispositifs peut réduire les risques liés à la poussière.

N'ABUSEZ PAS DU CÂBLE.

► Ne jamais utiliser le câble de branchement pour soulever, porter ou débrancher l'outil électrique ► Maintenez le câble éloigné de la chaleur, de l'huile, des objets et bords tranchants ou des pièces en mouvement ► Les câbles endommagés ou emmêlés augmentent le risque d'électrocution ► Lorsque vous manipulez un outil électrique à l'extérieur, utilisez une rallonge adaptée à une utilisation en extérieur ► L'utilisation d'une rallonge adaptée à un usage en extérieur réduit le risque d'électrocution ► Si l'utilisation d'un outil électrique dans un endroit humide est inévitable, utilisez une alimentation protégée par un dispositif de courant résiduel (RCD) ► L'utilisation d'un RCD réduit le risque d'électrocution.

UTILISATION ET ENTRETIEN DES OUTILS ÉLECTRIQUES.

► Ne forcez pas sur l'outil électrique ► Utilisez l'outil électrique approprié à la tâche à effectuer ► Utiliser un outil électrique adapté garantit un meilleur travail et l'utiliser au rythme pour lequel il a été conçu constitue une garantie de sécurité ► N'utilisez pas l'outil électrique si le bouton ne peut pas être positionné sur « off » et « on » ► Toute machine électrique est dangereuse si elle ne peut pas être maîtrisée par un bouton d'arrêt. Dans ce cas, elle doit être réparée ► Débranchez la prise de la source d'alimentation et/ou de la batterie avant tout réglage, changement d'accessoires ou stockage de l'outil électrique. ► Adopter ces mesures préventives de sécurité réduit le risque de démarrer l'outil de manière accidentelle.

STOCKEZ LES OUTILS ÉLECTRIQUES.

► Rangez les outils électriques inutilisés hors de portée des enfants et n'autorisez pas leur maniement par des personnes non familiarisées avec ce type d'outils ou méconnaissant les consignes de sécurité ► Les outils électriques sont dangereux entre les mains d'utilisateurs non avertis.

ENTRETIEN.

► Vérifiez que les parties mobiles ne sont pas désalignées ou entravées, qu'il n'y a pas de pièces cassées ou d'autres conditions qui peuvent affecter le fonctionnement des outils électriques
 ► Les outils électriques doivent être réparés avant leur utilisation quand ils sont endommagés ► De nombreux accidents sont causés par des outils électriques mal entretenus ► Utilisez ces outils électriques et leurs accessoires en respectant ces instructions et le mode d'utilisation prévu pour chaque type d'outils électriques, en tenant compte des conditions de travail et de la tâche à effectuer ► L'utilisation de l'outil électrique à des fins autres que celles spécifiées pourrait provoquer une situation de danger ► Faites réviser vos outils électriques par un service officiel de réparation Werku® en utilisant uniquement des pièces de rechange identiques ► C'est une garantie de sécurité pour votre outil.

AVANT DE COMMENCER À TRAVAILLER.

► Avant d'utiliser le nettoyeur haute pression, assurez-vous qu'il est fermement calé ► Vérifiez que personne ne se trouve dans la zone d'action du nettoyeur haute pression quand vous effectuez des travaux dans des zones en hauteur ► Éloignez vos mains des parties du nettoyeur haute pression en mouvement.

PENDANT LE FONCTIONNEMENT.

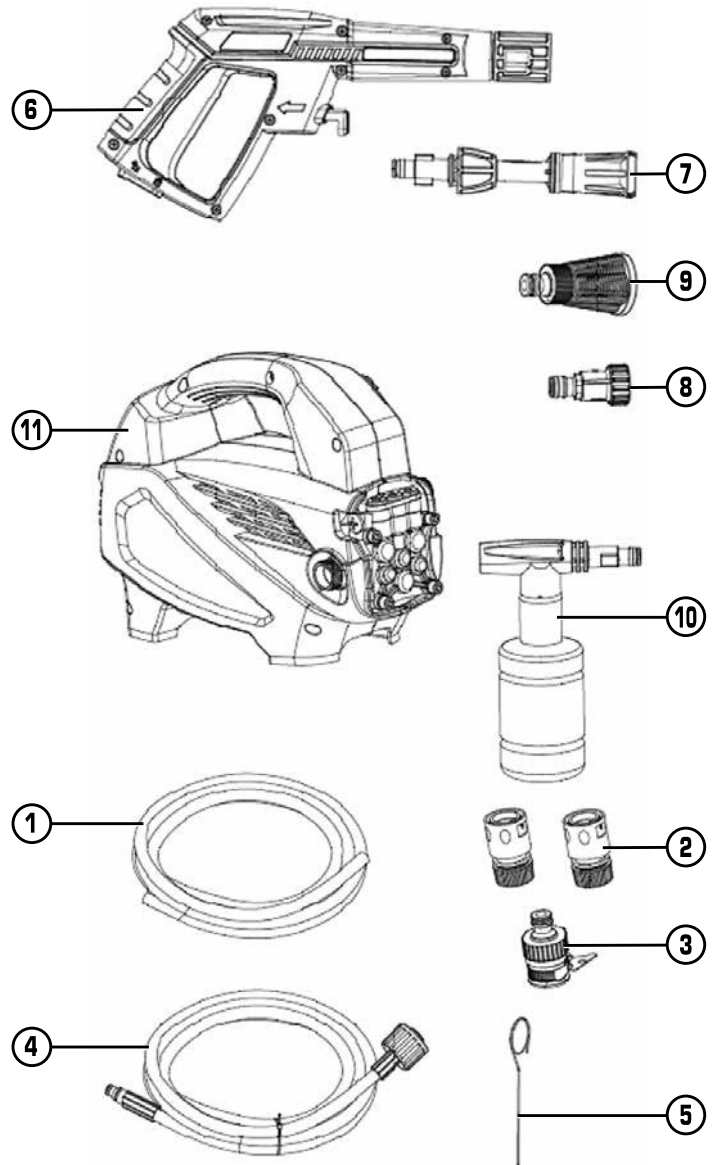
► Ne faites pas fonctionner le nettoyeur haute pression s'il n'est pas bien maintenu ► Faites-le fonctionner quand vous êtes sûr de le contrôler totalement ► Ne le dirigez pas vers quelqu'un pendant son fonctionnement ► Pendant l'opération, le nettoyeur haute pression peut produire des vibrations ► Les vis peuvent se dévisser petit à petit, ce qui peut provoquer une panne ou un accident ► Éloignez vos mains des parties du nettoyeur haute pression en mouvement.

À LA FIN DE VOTRE TRAVAIL.

► Ne touchez pas les accessoires installés sur le nettoyeur haute pression après son utilisation ► Ils peuvent être très chauds et causer des brûlures ► Certains matériaux sur lesquels vous travaillez peuvent contenir des substances chimiques ou des composants toxiques ► Soyez attentif à ne pas inhaler ces substances et à ce que votre peau ne soit pas en contact avec ► Utilisez les EPI conçus pour prévenir et vous protéger de ce type d'accidents.

DESCRIPTION DU PRODUIT.

► Cette nettoyeur haute pression est conçue pour effectuer des travaux de nettoyage ► Observez ce schéma pour vous familiariser avec la nettoyeur haute pression avant de l'utiliser.



1. Flexible d'arrivée d'eau.
2. Raccord rapide.
3. Raccord robinet.
4. Flexible haute pression.
5. Broche de nettoyage.
6. Pistolet.
7. Buse de pulvérisation réglable.
8. Raccord d'arrivée d'eau.
9. Filtre d'arrivée d'eau.
10. Bouteille de détergent.
11. Nettoyeur haute pression.

NOTICE UTILISATION.

► Avant de démarrer la nettoyeur haute pression, il est recommandé de lire complètement et minutieusement toutes les instructions ci-dessous ► Vous devrez également tenir compte des normes de prévention des accidents, des règlements et des directives ainsi que des lois et restrictions en vigueur pour les centres de travail ► La nettoyeur haute pression doit être utilisée uniquement par des personnes adéquatement formées à son maniement et respectant exclusivement les applications ici prévues.

SOURCE ALIMENTATION.

► Assurez-vous que la source d'alimentation est adaptée aux conditions spécifiées sur la plaque d'informations de la nettoyeur haute pression (1) ► Si vous utilisez un faible voltage, le moteur fonctionnera lentement ► Ce qui réduira le rendement et pourra provoquer une surchauffe du moteur.

RALLONGE.

► Si la zone de travail est éloignée de la source d'alimentation, utilisez une rallonge d'un diamètre et d'une qualité suffisants.

ASSEMBLAGE.

► Insérez la buse de pulvérisation réglable dans le pistolet. Poussez et tournez la buse dans le sens des aiguilles d'une montre sur le pistolet jusqu'à ce qu'elle soit verrouillée ► Tous les accessoires doivent être insérés dans le pistolet pour une utilisation correcte (2) ► Vissez le flexible haute pression (3) ► Attention: avant d'utiliser le nettoyeur haute pression, assurez-vous que le tuyau haute pression est complètement déroulé ► Lorsque le nettoyeur haute pression est en marche, le flexible haute pression ne doit pas faire de boucles ► Raccordez le flexible haute pression au pistolet en l'insérant et en le connectant rapidement pour éviter les fuites ► Appuyez sur le bouton de verrouillage du flexible et vous pourrez retirer le flexible haute pression (4) ► Insérez la buse à détergent dans le pistolet ► Poussez et tournez la buse à détergent dans le sens des aiguilles d'une montre sur le pistolet jusqu'à ce qu'elle soit bien serrée afin de la bloquer (5) ► Vissez le raccord rapide et le filtre sur le flexible d'arrivée d'eau (6) ► Fixez le raccord de flexible aux deux extrémités du tuyau d'arrivée d'eau et raccordez ensuite le tuyau d'arrivée d'eau au raccord du robinet et sur le nettoyeur haute pression (7, 8, 9) ► Attention: avant de raccorder le raccord rapide au nettoyeur haute pression, vérifiez que le filtre est installé sur l'arrivée d'eau et qu'il n'est pas

obstrué. Si le filtre n'est pas monté, les vannes de la pompe seront endommagées.

DÉMARRAGE.

► Attention: le flexible haute pression ne doit pas faire de boucles ► Attention: arrêtez toujours le moteur avant de couper l'alimentation en eau ► Le moteur pourrait être sérieusement endommagé s'il tourne sans eau ► Ouvrez complètement le robinet d'arrivée d'eau ► Déverrouillez la gâchette (en appuyant d'abord sur le bouton de sécurité puis en appuyant sur la gâchette) pendant quelques secondes. Laissez l'eau s'écouler de la buse ► Recherchez des fuites dans les joints. Si tel est le cas, raccordez à nouveau le tuyau d'eau, le pistolet ou la lance pour vous assurer que chaque accessoire est parfaitement relié ► Raccordez à l'alimentation ► Positionnez le bouton d'alimentation sur la position ON (10) ► Actionnez la gâchette et démarrez le nettoyeur haute pression ► Attention: vérifiez que la tension et la fréquence d'alimentation correspondent à celles spécifiées sur la plaque signalétique ► Le nettoyeur haute pression ne doit être branché sur le secteur que par un interrupteur de sécurité (30 mA max.) afin que l'alimentation soit coupée en cas de court-circuit.

ARRÊT DU NETTOYEUR HAUTE PRESSION.

► Avertissement: arrêtez toujours le moteur du nettoyeur haute pression avant de couper l'alimentation en eau ► Le moteur pourrait être sérieusement endommagé si le nettoyeur haute pression fonctionne sans eau ► Relâchez la gâchette et le moteur s'arrêtera ► Placez le commutateur en position d'arrêt ► Débranchez le cordon d'alimentation de la prise de courant ► Avertissement: si ces précautions ne sont pas respectées, cela peut endommager le nettoyeur haute pression.

CHANGEMENT DES ACCESSOIRES.

► Relâchez la gâchette ► Coupez le bouton d'alimentation ► Retirez la buse de pulvérisation réglable d'origine ► Montez la buse de pulvérisation réglable et la bouteille de détergent ► Attention: ne débranchez jamais le flexible de décharge haute pression du nettoyeur haute pression lorsque le système est sous pression ► Pour dépressuriser le système, éteignez le moteur, coupez l'alimentation en eau et appuyez sur la gâchette 3 fois.

BOUTON DE SÉCURITÉ DU PISTOLET.

► Appuyez sur le bouton de déverrouillage puis actionnez la gâchette ► Lorsque vous relâchez la

gâchette, elle peut revenir automatiquement à sa position d'arrêt ► Lorsque vous n'utilisez pas le nettoyeur haute pression, appuyez sur le bouton de verrouillage pour l'empêcher de s'actionner accidentellement (11).

PRISE EN MAIN DU PISTOLET.

► Prenez-le dans la position correcte: une main sur la poignée et l'autre sur la buse de pulvérisation réglable.

UTILISATION DE DÉTERGENT.

► Ajoutez du détergent dans le réservoir et montez le réservoir ► Insérez l'extrémité du distributeur de détergent avec la languette en plastique dans l'ouverture du pistolet, poussez et tournez dans le sens des aiguilles d'une montre pour verrouiller le distributeur de détergent et le pistolet (12) ► L'utilisation de détergents peut réduire considérablement le temps de nettoyage et permet d'éliminer les taches rebelles ► L'utilisation de détergents plus épais, tels que le liquide vaisselle, obstruera le système d'injection de produits chimiques et entravera l'application du détergent ► Il existe des détergents spécifiques à une utilisation par les nettoyeurs haute pression ► Ces détergents ont une consistance proche de l'eau ► L'utilisation de détergents plus épais, tels que le liquide vaisselle, obstruera le système d'injection de produits chimiques et entravera l'application du détergent ► Le pouvoir nettoyant des détergents résulte de leur application sur une surface en laissant aux produits le temps d'agir sur la saleté ► Les détergents fonctionnent mieux lorsqu'ils sont appliqués à basse pression.

FILTRE D'ARRIVÉE D'EAU.

► Le filtre d'arrivée d'eau doit être inspecté régulièrement pour éviter les obstructions et les restrictions dans l'alimentation en eau de la pompe (13).

BUSE DE PULVÉRISATION.

► La buse de pulvérisation réglable vous permettra d'utiliser n'importe quel type de pulvérisation, du jet complet en éventail (14) au jet direct (15) ► Lorsque vous utilisez le nettoyeur haute pression pour nettoyer des terrasses en bois, des revêtements extérieurs, des véhicules, etc., commencez toujours à utiliser le jet en éventail et commencez à pulvériser à au moins 1 mètre de distance pour éviter d'endommager la surface du matériau que

vous nettoyez ► Commencez toujours à pulvériser dans une zone d'essai dépourvue de personnes et d'objets ► Avertissement: le jet haute pression peut être dangereux et ne doit pas être dirigé vers des personnes, des équipements électriques sous tension ou vers votre propre nettoyeur haute pression ► Ne dirigez pas le jet vers vous-même ou des tiers pour nettoyer des vêtements ou des chaussures.

OUTIL DE NETTOYAGE.

► Pour utiliser l'outil de nettoyage de la buse inclus, insérez le fil dans l'orifice de la buse et faites-le aller et venir jusqu'à ce que les débris disparaissent (16).

ARRÊT.

► Une fois que vous avez fini d'utiliser le nettoyeur haute pression, procédez comme suit pour l'éteindre ► Mettez le commutateur du nettoyeur haute pression sur la position OFF ► Coupez l'alimentation en eau ► Avant de déconnecter le raccord du flexible haute pression, dirigez le pistolet dans une direction sûre et purgez l'eau à haute pression ► Débranchez le flexible haute pression du nettoyeur et du pistolet ► Débranchez le tuyau d'alimentation en eau ► Retirez l'excès d'eau de la pompe en inclinant le nettoyeur haute pression des deux côtés pour drainer l'eau restante des raccords d'entrée et de sortie ► Retirez le filtre d'arrivée d'eau et rincez-le à l'eau pour enlever la saleté et les débris ► Remettez le filtre une fois celui-ci nettoyé ► Drainez le réservoir de détergent et rincez-le à l'eau courante ► Essuyez l'eau restante sur toutes les pièces et accessoires ► Actionnez le verrouillage de sécurité du pistolet ► Rangez le nettoyeur haute pression, les pièces et les accessoires dans une zone où la température est supérieure à 0° C.

ENTRETIEN.

► Ce nettoyeur haute pression a un système de lubrification fermé, il n'est donc pas nécessaire d'ajouter de l'huile ► Vérifiez qu'aucun flexible et accessoire n'est endommagé avant de les utiliser ► Vérifiez régulièrement s'il y a des dépôts sur le filtre d'arrivée ► Nettoyez ce filtre régulièrement pour obtenir des performances maximales ► La nettoyeur haute pression a été conçue pour fonctionner longtemps avec un minimum d'entretien ► Le fonctionnement optimal de la nettoyeur haute pression dépend des soins qui lui sont apportés et d'un nettoyage fréquent ► Pour éviter des accidents,

débranchez toujours la nettoyeur haute pression de sa source d'alimentation avant de la nettoyer ou de l'entretenir ► La nettoyeur haute pression doit toujours être nettoyée de manière efficace en utilisant de l'air comprimé à la fin de chaque utilisation ► Utilisez toujours des lunettes de protection quand vous travaillez avec de l'air comprimé ► Si vous ne pouvez pas utiliser d'air comprimé, retirez la poussière de la nettoyeur haute pression à l'aide d'une brosse ► Les fentes de ventilation du moteur et les interrupteurs doivent être toujours propres et dépourvus de tout résidu ► N'essayez pas de les nettoyer en introduisant des objets pointus par les ouvertures ► Certains produits de nettoyage et certains solvants, comme l'essence, le tétrachlorométhane, les solvants chlorés, l'ammoniaque et les produits de nettoyage domestiques contenant de l'ammoniaque, endommagent les composants en plastique ► N'utilisez aucun de ces produits pour nettoyer la nettoyeur haute pression ► Si la machine produit beaucoup d'étincelles, faites réviser et/ou remplacer les balais par le service officiel de réparation Werku®.

PROTECTION DE L'ENVIRONNEMENT.

► Les matériaux et composants utilisés pour fabriquer ce produit peuvent être réutilisés et recyclés ► Werku® a adhéré à un Système Intégré de Gestion qui se charge de l'élimination correcte des résidus de ce produit ► Ne jetez pas ce produit dans les ordures domestiques ► Werku® propose à ses clients un service gratuit de collecte de ces résidus dans tous ses points de vente, dans les points de collecte listés par le Système Intégré de Gestion ou dans les points de collecte de votre commune.

GARANTIE ET SERVICE TECHNIQUE.

► Outre la garantie légale, Werku® offre une garantie commerciale supplémentaire ► Cette garantie commerciale couvre la réparation des défauts résultant de défaillances dans le matériel ou la fabrication ► Pour cela, les défauts doivent être constatés pendant la période de validité ► Le consommateur a droit à la réparation gratuite des défauts que Werku® reconnaît comme inclus dans la garantie commerciale (frais envoi, main d'œuvre et matériaux inclus), au choix de Werku®, au moyen de la simple réparation ou par remplacement (le cas échéant, par un modèle postérieur) ► Cette garantie commerciale n'affecte pas les droits du consommateur établis légalement par la Directive 1999/44/CE ► La période de validité de cette

garantie commerciale est de 24 mois ► Si ce produit est destiné à une utilisation professionnelle ou industrielle, la période de validité est de 12 mois ► La période de validité débute à la date d'achat par le premier consommateur ► Cette date figure sur la facture ou le ticket de caisse ► Le droit de réclamer l'application de cette garantie commerciale expire six mois après la fin de la période de validité ► Les réclamations en vertu de cette garantie commerciale doivent être présentées au distributeur ou au Service d'Assistance Technique ► Pour cela, il est indispensable de présenter cette garantie dûment complétée et tamponnée par le distributeur, accompagnée de la facture ou du ticket d'achat ► Pour toute information relative à cette garantie commerciale, l'acheteur et/ou le distributeur peut contacter le Service d'Assistance Technique au +34 981 648 119, ou par courrier électronique à info@werku.com ► Sont exclus de cette garantie commerciale les défauts causés par des pièces usées résultant d'une utilisation naturelle, les défauts causés par le non respect ou la mauvaise application de la notice d'utilisation ou par une utilisation non conforme à celle à laquelle est destiné ce produit, par des facteurs environnementaux anormaux ou une surcharge, un entretien ou un nettoyage inadéquats, les défauts causés par l'utilisation d'accessoires ou de pièces de rechange qui ne sont pas des pièces d'origine Werku® et si le produit a été totalement ou partiellement démonté, modifié ou réparé par du personnel autre que celui du Service d'Assistance Technique, ou s'il s'agit d'irrégularités minimales et insignifiantes pour une utilisation et un fonctionnement adéquats ► Les réparations et remplacements ne prolongent ni ne renouvellent le délai de validité de cette garantie commerciale ► Les pièces remplacées sont la propriété de Werku® ► Si l'acheteur remet le produit au Service d'Assistance Technique en ne remplissant pas les conditions de cette garantie commerciale, les frais et risques du transport seront à sa charge ► Cette garantie commerciale est valable sur le territoire de l'Union Européenne ► L'entreprise responsable de l'application de cette garantie commerciale Werku® est Werku Tools SA.

ASSISTANCE TECHNIQUE.

► Werku® met à votre disposition son service technique pour répondre à toutes les questions sur ses produits ► Si vous souhaitez contacter notre équipe, veuillez envoyer un courrier électronique à l'adresse suivante: info@werku.com.

CE CONFORMITEITSVERKLARING.

► Werku® verklaart dat de **WK400890** hogedrukreiniger in overeenstemming is met de Europese richtlijnen en normen 2006/42/CE, EN60335-1:2012/A11:2014, EN60335-2-79:2012 en EN62233:2008.

La Coruña, 01/07/2019
R Yáñez
Werku Tools SA

TECHNISCHE EIGENSCHAPPEN.

► Spanning-frequentie 230V~50Hz ► Vermogen 1300W ► Klasse I ► Beveiliging index IPX5
► Toerental 2800 min⁻¹ ► Werkdruk 70 bar
► Maximale druk 100 bar ► Werkvloeï 6 l/min⁻¹ ► Maximale vloeï 6.5 l/min⁻¹ ► Maximale temperatuur 50° C ► Netto gewicht 10 kg
► Geluidsdruk LpA ≤75 dB(A) ► Akoestische druk LwA ≤86 dB(A) ► Vibratie Aw ≤2.0 m/s².

PICTOGRAMMEN.



Aandacht



Risico op elektrische schokken



Sluit niet rechtstreeks op het waterleidingnet aan



Risico van hogedrukstraal



Lees de handleiding



Gebruik oogbescherming



Gebruik handbescherming



Gebruik lichaamsbescherming



Europese conformiteit



Dubbele isolatie



Afgedankte elektrische en elektronische apparatuur

VEILIGHEIDSINSTRUCTIES.

► Lees alle beveiligingswaarschuwingen en alle instructies ► Het niet opvolgen van alle hieronder vermelde waarschuwingen en instructies kan leiden tot elektrische schokken, brand en/of ernstig letsel ► Bewaar alle waarschuwingen en voorschriften voor toekomstig gebruik ► Ongevallen kunnen meestal worden voorkomen door erkenning van een potentiële gevaarlijke situatie voordat deze plaatsvindt en door het observeren van de juiste veiligheidsprocedures ► Deze hogedrukreiniger niet gebruiken voor andere toepassingen dan die in deze handleiding zijn gespecificeerd.

ELEKTRISCHE COMPONENTEN.

► Gevaar; gevaar van stroomschok ► Neem de netstekker en de contactdoos nooit met vochtige handen vast ► Controleer de stroomaansluitleidingen met netstekker voor elk gebruik op schade ► Laat beschadigde stroomaansluitleidingen onmiddellijk door een geautoriseerde klantenservice / electricien vervangen ► Neem een apparaat met beschadigde stroomaansluitleiding niet in bedrijf ► Alle stroomvoerende voorwerpen binnen het werkgebied moeten spuitwaterdicht zijn ► Netstekker en koppeling van een verlengkabel moeten waterdicht zijn en mogen niet in water liggen ► De koppeling mag verder niet op de grond liggen ► Er wordt aanbevolen om kabeltrommels te gebruiken die garanderen dat de contactdozen zich minstens 60 mm boven de grond bevinden ► Let erop dat stroomleidingen en verlengkabels niet aangetast of beschadigd worden door overrijden, knellen, rekken o.d. Bescherm de stroomleidingen tegen hitte, olie en scherpe randen ► Bij reiniging en onderhoud altijd het apparaat uitschakelen en de stekker uit het stopcontact trekken ► Reparatiewerkzaamheden en werkzaamheden aan elektrische onderdelen mogen enkel door de geautoriseerde klantenservice uitgevoerd worden ► Waarschuwing; het apparaat mag enkel aan een elektrische aansluiting aangesloten

zijn die door een elektromonteur conform IEC 60364 werd uitgevoerd ► Sluit het apparaat enkel aan wisselstroom aan ► De spanning moet overeenstemmen met het typeplaatje van het apparaat ► Beschermingsklasse I ► Apparaten mogen uitsluitend aangesloten worden aan reglementair gearde stroombronnen ► Om veiligheidsredenen bevelen wij aan om het apparaat via een aardlekschakelaar (max. 30 mA) te gebruiken ► Niet-geschikte elektrische verlengkabels kunnen gevaarlijk zijn ► Gebruik in open lucht enkel daartoe vrijgegeven en overeenkomstig gekenmerkte elektrische verlengkabels met een voldoende grote diameter: 1 - 10 m: 1,5 mm² ; 10 - 30 m: 2,5 mm² ► Rol de verlengkabel altijd volledig van de kabeltrommel af.

VEILIGE ONGANG.

► Gevaar; de gebruiker moet het apparaat op reglementaire wijze gebruiken ► Hij moet rekening houden met de plaatselijke omstandigheden en tijdens de werkzaamheden met het apparaat letten op personen in de omgeving ► Controleer belangrijke componenten zoals hogedrukslang, handspuitpistool en veiligheidsinrichtingen voor elk gebruik op beschadigingen ► Vervang beschadigde componenten onmiddellijk ► Neem een apparaat met beschadigde componenten niet in bedrijf ► Hogedrukstralen kunnen gevaarlijk zijn bij niet-reglementair gebruik ► De straal mag niet gericht worden op personen, dieren, onder stroom staande voorwerpen of het apparaat zelf ► Richt de hogedrukstraal niet op u zelf of anderen om schoeisel of kledij te reinigen ► Voertuigbanden / bandventielen kunnen door de hogedrukstraal beschadigd worden en springen ► Een eerste teken daarvan is een verkleuring van de band ► Beschadigde voertuigbanden / bandventielen zijn levensgevaarlijk ► Respecteer bij de reiniging een minimumstraalafstand van 30 cm! ► Waarchuwing; gebruik het apparaat niet wanneer zich andere personen binnen de reikwijdte bevinden, behalve wanneer die personen beschermende kledij dragen ► Kinderen of nietgeïnstreueerd personeel mogen het apparaat niet gebruiken ► Dit apparaat mag niet gebruikt worden door personen met beperkte fysieke, zintuiglijke of mentale capaciteiten of met te weinig ervaring en/of kennis, tenzij ze onder toezicht staan van een bevoegde persoon die instaat voor hun veiligheid of van die persoon

instructies hebben gekregen over het gebruik van het apparaat en de daaruit resulterende gevaren begrijpen ► Kinderen mogen niet met het apparaat spelen ► Kinderen moeten gecontroleerd worden om te garanderen dat ze niet met het apparaat spelen ► Voorzichtig; zorg er vóór alle handelingen met of aan het apparaat voor dat het apparaat stabiel staat om ongevallen of beschadigingen door omvallen van het apparaat te vermijden ► Door de naar buiten tredende waterstraal aan de hogedruksproeier werkt een terugstootkracht op het handspuitpistool ► Zorg ervoor dat u stevig staat en houd het handspuitpistool en de straalpijp goed vast ► Laat het apparaat nooit zonder toezicht staan terwijl het in bedrijf is ► Let op; bij langere werkonderbrekingen moet het apparaat met de apparaatschakelaar uitgeschakeld worden ► Gebruik het apparaat niet bij temperaturen onder 0° C.

ANDERE GEVAREN.

► Gevaar; het is verboden om het apparaat in explosiegevaarlijke bereiken te gebruiken ► Spuit geen voorwerpen af die ongezonde stoffen bevatten (bv. asbest) ► Zuig nooit oplosmiddelhoudende vloeistoffen of onverdunde zuren en oplosmiddelen op! ► Daartoe behoren bv. benzine, verfverdunder of stookolie ► De spuitnevel is zeer licht ontvlambaar, explosief en giftig ► Gebruik geen aceton, onverdunde zuren en oplosmiddelen aangezien deze de in het apparaat gebruikte materialen aantasten ► Houd verpakkingsfolie uit de buurt van kinderen, er bestaat verstikkingsgevaar! ► Waarchuwing; conform de geldige voorschriften mag het apparaat nooit zonder systeemscheider aan het drinkwaternet gebruikt worden ► Vergewis u ervan dat de aansluiting van uw huiswaterinstallatie waarop de hogedrukreiniger werkt, uitgerust is met een systeemscheider conform EN 12729 type BA ► Water dat door een systeemscheider is gestroomd, wordt als nietdrinkbaar beschouwd ► Hogedrukslangen, armaturen en koppelingen zijn belangrijk voor de veiligheid van het apparaat ► Gebruik enkel door de fabrikant aanbevolen hogedrukslangen, armaturen en koppelingen ► Bij het scheiden van toevoer of hogedrukslangen kan na de werking heet water uit de aansluitingen komen ► Voorzichtig; neem bij het kiezen van de

opslagplaats en het transporteren het gewicht van het apparaat (zie Technische gegevens) in acht om ongevallen of verwondingen te vermijden ► Bij apparaten met een hand-arm vibratiewaarde > 2,5 m/s² (zie Technische gegevens) ► Voorzichtig; ononderbroken gebruik van het apparaat gedurende meerdere uren kan in zeldzame gevallen gevoelloosheid van de handen veroorzaken ► Draag handschoenen ► Houd de handen warm ► Voeg regelmatig een pauze in.

WERKEN MET REINIGINGSMIDDELEN.

► Waarchuwing; dit apparaat werd ontwikkeld voor gebruik met reinigingsmiddelen, die door de fabrikant worden geleverd of aanbevolen ► Het gebruik van andere reinigingsmiddelen of chemicaliën kan de veiligheid van het apparaat nadelig beïnvloeden ► Het verkeerd gebruik van reinigingsmiddelen kan ernstige verwondingen of vergiftiging veroorzaken ► Bewaar reinigingsmiddelen buiten bereik van kinderen.

VEILIGHEIDSINRICHTINGEN.

► Voorzichtig; veiligheidsinrichtingen dienen ter bescherming van de gebruiker en mogen niet veranderd of omzeild worden.

PERSOONLIJKE VEILIGHEIDSUITRUSTING.

► Voorzichtig; draag de juiste beschermende kleding en een veiligheidsbril ter bescherming tegen terugspattend water ► Tijdens het gebruik van hogedrukreinigers kunnen aerosolen ontstaan ► Het inademen van aerosolen kan schadelijk zijn voor de gezondheid ► Afhankelijk van de toepassing kunnen voor de hogedrukreiniging volledig afgeschermd sproeiers (bv. oppervaktreiniger) gebruikt worden die de uitstoot van waterige aerosolen duidelijk verminderen ► Het gebruik van zo'n afscherming is niet bij alle toepassingen mogelijk ► Wanneer het gebruik van een volledig afgeschermd sproeier niet mogelijk is, moet in functie van de te reinigen omgeving een stofmasker van de klasse FFP2 of vergelijkbaar gebruikt worden.

VEILIGHEID OP DE WERKOMGEVING.

► Houw de werkomgeving schoon en goed verlicht ► Een rommelige of onverlichte werkomgeving kan ongevallen verrichten ► Gebruik geen elektrisch gereedschap in explosieve omgevingen, zoals in de aanwezigheid van brandbare vloeistoffen, gassen of stoffen ► Houw kinderen en nieuwsgierigen uit

be buurt tijdens het gebruiken van een elektrisch gereedschap ► Afleidingen kunnen controleverlies veroorzaken.

PERSOONLIJKE VEILIGHEID.

► Blijf alert, let op wat u doet en gebruik uw gezond verstand bij het bedienen van een elektrisch gereedschap ► Gebruik geen elektrisch gereedschap wanneer u moe of onder invloed bent van drugs, alcohol of medicijnen ► Een moment van onoplettendheid bij het gebruik van elektrisch gereedschap kan ernstige persoonlijke schade veroorzaken.

NIET OP DE TENEN WERKEN.

► Houw de voeten goed op de grond en blijf in ieder moment in evenwicht ► Dit vergemogelijkt een betere controle van het elektrisch gereedschap in onverwachte situaties.

DRAAG GESCHIKTE KLEDING.

► Draag geen losse kleding of sieraden ► Houw uw haar, kleding en handschoenen uit de buurt van bewegende delen ► Losse kleding, sieraden en lange haren kunnen door bewegende delen worden opgenomen ► Als er apparaten zijn voor de verbinding van extractiemiddelen en stofverzamelaars, zorg erdan voor dat ze zijn aangesloten en juist worden gebruikt ► Het gebruik van deze apparaten kan gevaren die met stof te maken hebben verminderen.

HET SNOER NIET MISBRUIKEN.

► Gebruik het snoer nooit om het elektrische gereedschap te dragen, op te tillen of uit de stekker te trekken ► Houd het snoer uit de buurt van hitte, olie, scherpe randen of bewegende onderdelen ► Een beschadigd of verward snoer verhoogt het risico op een elektrische schok ► Bij het gebruik buitenshuis van het elektrisch gereedschap, gebruik maken van een verlengsnoer dat geschikt is voor gebruik buitenshuis ► Het gebruik van een verlengsnoer dat geschikt is voor gebruik buitenshuis vermindert het risico op een elektrische schok ► Als het gebruik van het elektrisch gereedschap in een vochtige omgeving onvermijdelijk is, gebruik dan een stroom beveiligd met een aardlekschakelaar (RCD) ► Het gebruik van een aardlekschakelaar vermindert het risico van een elektrische schok.

GEBRUIK EN ONDERHOUD VAN ELEKTRISCH GEREEDSCHAP.

- ▶ Forceer het elektrisch gereedschap niet
- ▶ Gebruik het juiste elektrisch gereedschap voor de toepassing
- ▶ Met het juiste elektrisch gereedschap werkt u beter en veiliger binnen het toerental waarvoor deze werd ontworpen
- ▶ Gebruik het elektrisch gereedschap niet als de schakelaar niet kan worden geplaatst op de “on” en “off” posities
- ▶ Elk elektrisch gereedschap dat niet kan worden in- of uitgeschakeld is gevaarlijk en moet worden gerepareerd
- ▶ Trek de stekker uit het stopcontact en/of de accu voordat u afstellingen verricht, accessoires verwisselt of het elektrisch gereedschap weglegt
- ▶ Dergelijke preventieve veiligheidsmaatregelen verminderen het risico op het onopzettelijk aanzetten van het elektrische gereedschap.

HET OPSLAAN VAN PERSLUCHTGEREEDSCHAP.

- ▶ Elektrisch gereedschap dat niet in gebruik is moet worden opgeladen buiten het bereik van kinderen en mag niet worden gebruikt door personen zonder ervaring met elektrisch gereedschap of door mensen die deze instructies niet kennen
- ▶ Elektrisch gereedschap is gevaarlijk in de handen van onervaren gebruikers.

ONDERHOUD.

- ▶ Controleer of bewegende delen niet los zitten of vastgelopen zijn, of er geen gebroken onderdelen of andere omstandigheden zijn die de werking van elektrisch gereedschappen kunnen beïnvloeden
- ▶ Elektrisch gereedschap moet worden gerepareerd voor gebruik en wanneer deze beschadigd zijn
- ▶ Veel ongelukken worden veroorzaakt door slecht onderhouden elektrisch gereedschap
- ▶ Gebruik elektrisch gereedschap en accessoires volgens deze instructies en op de wijze die voor het specifieke type elektrisch gereedschap geldt, rekening houdend met de werkomstandigheden en het te ontwikkelen werk
- ▶ Het gebruik van elektrisch gereedschap voor andere dan de voorziene toepassingen kan tot gevaarlijke situaties leiden
- ▶ Laat uw elektrisch gereedschap controleren en repareren door een officiële Werku® reparatieservice en gebruik alleen originele vervangingsonderdelen
- ▶ Dit zal de veiligheid van het elektrisch gereedschap in stand houden.

VOORDAT U BEGINT.

- ▶ Voordat u de hogedrukreiniger gebruikt, zorg ervoor dat u stevig staat
- ▶ Controleer of er niemand onder de hogedrukreiniger influentiezone staat indien u in de hoogte werkt
- ▶ Houw uw handen uit de buurt van alle bewegende delen van de hogedrukreiniger.

TIJDENS HET WERKEN.

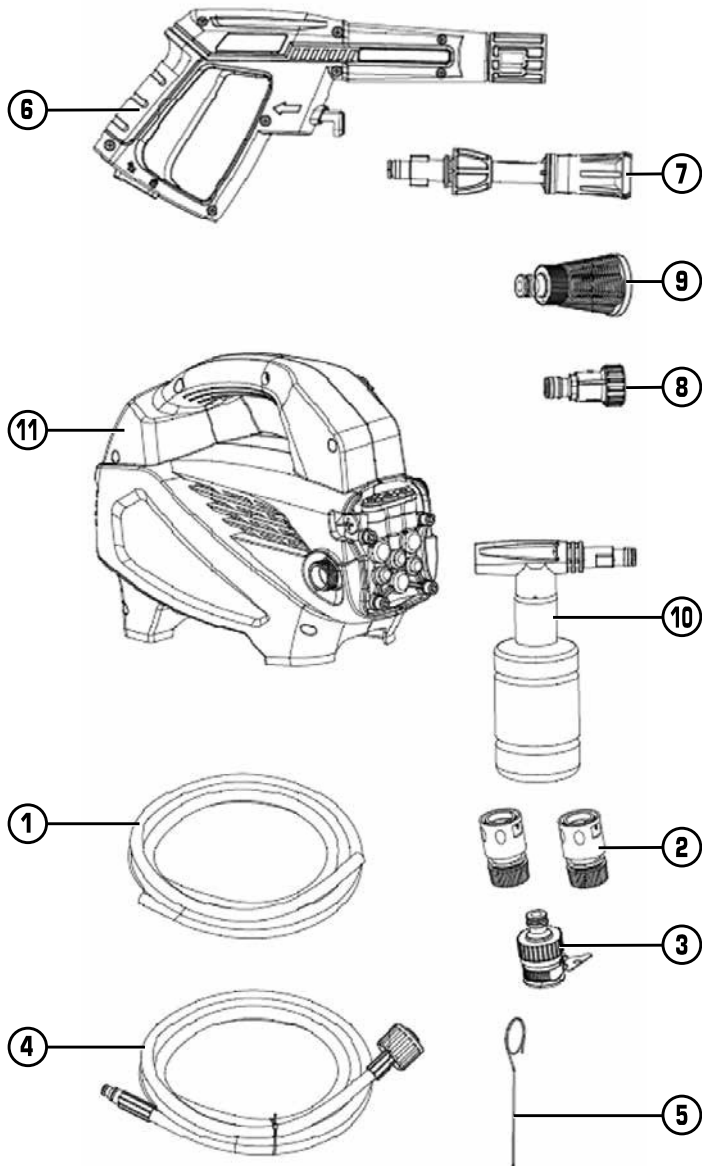
- ▶ De hogedrukreiniger niet laten werken zonder deze stevig vast te houden
- ▶ Laat deze allen werken als u zeker bent dat u volledige controle over de hogedrukreiniger heeft
- ▶ Richt de hogedrukreiniger nooit op iemand terwijl deze in gebruik is
- ▶ Bij gebruik van de hogedrukreiniger kunnen trillingen optreden
- ▶ Schroeven kunnen geleidelijk loskomen en mogelijk storingen of ongevallen veroorzaken
- ▶ Houw uw handen uit de buurt van alle bewegende delen van de hogedrukreiniger.

HET WERK EINDE.

- ▶ Na gebruik, niet de geïnstalleerde accessoires in de hogedrukreiniger aanraken
- ▶ Deze kunnen heet zijn en brandwonden veroorzaken
- ▶ Sommige materialen waarmee gewerkt is kunnen chemicaliën of giftige componenten bevatten
- ▶ Vermijd het inademen van deze stoffen of met deze in contact komen met de huid
- ▶ Gebruik PBM's ter voorkoming en bestrijding van incidenten van deze aard.

BESCHRIJVING VAN HET PRODUCT.

- ▶ De hogedrukreiniger is ontworpen om schoonmaakwerkzaamheden uit te voeren
- ▶ Raadpleeg voor gebruik dit plan om vertrouwd te raken met de hogedrukreiniger.



1. Ingang waterslang.
2. Snelle connector.
3. Tik connector.
4. Hoge druk slang.
5. Reinigingspen.
6. Pistool.
7. Verstelbaar spuitmondstuk.
8. Waterinlaatconnector.
9. Waterinlaatfilter.
10. Wasmiddel fles.
11. Hogedrukreiniger.

GEBRUIKSAANWIJZING.

► Voor het starten van de hogedrukreiniger, raden wij u aan zorgvuldig alle aangegeven instructies te lezen ► Respecteer alle voorschriften met betrekking tot de preventie van ongevallen, gezondheids- en veiligheidsrichtlijnen, wetten en toepasselijke beperkingen voor werkplekken ► De hogedrukreiniger mag alleen worden gebruikt door personen die geïnstrueerd zijn in het gebruik ervan

en uitsluitend voor de doeleinden waarvoor deze is ontworpen.

ENERGIE VOEDING.

► Zorg ervoor dat de energie voeding is aangepast aan de op het informatiebord van de hogedrukreiniger eisen (1) ► Bij een lage spanning zal de hogedrukreiniger langzaam opereren ► Hierdoor zullen de prestaties verminderen en kan de motor oververhit raken.

MONTAGE.

► Plaats het verstelbaar spuitmondstuk in het pistool; druk en draai het mondstuk met de klok mee op het pistool tot het vergrendeld is ► Alle hulpstukken moeten voor een juist gebruik in de pistool worden gezet (2) ► Schroef de hogedrukslang op (3) ► Let op; controleer vóór het gebruik van de hogedrukreiniger of de hogedrukslang volledig is vastgedraaid ► Als de hogedrukreiniger in bedrijf is, mag de hogedrukslang niet lussen ► Sluit de hogedrukslang aan op het pistool; plaats deze in en sluit snel aan om lekkage te voorkomen ► Druk op de slangvergrendelknop en trek de hogedrukslang eruit (4) ► Plaats het reinigingsmonstuk in het pistool ► Duw en draai het reinigingsmonstuk met de klok mee op het pistool totdat deze handvast is en op zijn plaats is vergrendeld (5) ► Schroef de snelkoppeling en de filter op de waterinlaatbuis (6) ► Bevestig de slangkoppeling aan beide uiteinden van de inlaatslang, sluit dan de inlaatslang aan op de waterkraanverbinding en druk ring (7, 8, 9) ► Let op; controleer voordat u de snelkoppeling op de hogedrukreiniger bevestigt of het filter in de waterinlaat is gemonteerd en of het niet geblokkeerd is; als de filter niet wordt geplaatst kunnen de pompkleppen beschadigd raken.

STARTEN.

► Waarschuwing; de hogedrukslang mag niet lussen ► Waarschuwing; schakel altijd de motor uit voordat u de watertoevoer afsluit ► Er kan ernstige schade aan de motor ontstaan als deze zonder water loopt ► Draai de watertoevoer kraan volledig open ► Ontgrendel de trekker (door eerst op de veiligheidsknop te drukken en vervolgens de trekker in te drukken) gedurende een paar seconden; laat het water uit het mondstuk lopen ► Controleer of er water uit de verbindingen lekt; in dat geval sluit de waterslang, het spuitpistool of de lans opnieuw aan om ervoor te zorgen dat elk accessoire perfect is aangesloten ► Verbind met de

stroomvoorziening ► Zet de stroomschakelaar in de aan-positie (10) ► Bedien de trekker en start de hogedrukreiniger ► Waarschuwing; controleer of de voedingsspanning en -frequentie overeenkomen met die gespecificeerd op het typeplaatje ► De hogedrukreiniger mag alleen worden aangesloten op een netvoeding via een beveiligingsonderbreker (max 30mA) om de stroomtoevoer af te sluiten in het geval van een kortsluiting.

HOGEDRUKREINIGER STOPPEN.

► Waarschuwing; schakel de hogedrukreinigingsmotor altijd uit voordat u de watertoevoer afsluit ► Er kan ernstige schade aan de motor ontstaan als de hogedrukreiniger zonder water draait ► Laat de trekker los en de motor stopt met werken ► Zet de schakelaar op de uit-stand ► Steek de stekker uit het stopcontact ► Waarschuwing; niet-naleving van deze instructies kan schade aan de hogedrukreiniger veroorzaken.

ACCESSOIRES VERANDEREN.

► Vergrendel de trekker ► Draai de aan/uitschakelaar uit ► Demonteer het verstelbare spuitmondstuk ► Monteer het verstelbare spuitmondstuk en de reinigingsfles ► Let op; ontkoppel nooit de hogedrukafvoerslang van de hogedrukreiniger terwijl het systeem nog steeds onder druk staat ► Om de druk te verminderen, zet de motor uit, draait de watertoevoer dicht en druk de trekker 3 keer in.

PISTOOL VEILIGHEIDSNOP.

► Druk op de ontgrendelingsknop en druk vervolgens op de knop ► Als u de trekker loslaat, kan deze automatisch terugkeren naar de uit-stand ► Wanneer de hogedrukreiniger niet wordt gebruikt, druk dan op de vergrendelknop om te voorkomen dat deze per ongeluk wordt geactiveerd (11).

PISTOOL VASTHOUDEN.

► Pak het pistool in de juiste positie, met een hand op de handgreep en de andere op het verstelbare spuitmondstuk.

WASMIDDEL GEBRUIK.

► Voeg wasmiddel aan de tank toe en monteer de tank ► Steek het uiteinde van de wasmiddeldispenser met de plastic lip in de opening van het spuitpistool, druk en draai deze in wijzerzin om de dispenser

van het reinigingsmiddel en de spuitpistool (12) te vergrendelen ► Het gebruik van reinigingsmiddelen kan de reinigingstijd drastisch verminderen en helpen bij het verwijderen van moeilijke vlekken ► Er zijn speciale wasmiddelen voor hogedrukreinigers ► Deze reinigingsmiddelen zijn ongeveer zo dik als water ► Het gebruik van dikkere wasmiddelen, zoals afwasmiddel, verstopt het chemische injectiesysteem en voorkomt dat het reinigingsmiddel wordt aangebracht ► De reinigingskracht van reinigingsmiddelen komt door deze op een oppervlak aan te brengen en de chemicaliën de tijd te geven vuil en roet af te breken ► De reinigingsmiddelen werken het best bij lage druk.

WATERINLAATFILTER.

► Het waterinlaatfilter moet regelmatig worden geïnspecteerd om verstopping en beperking van de watertoevoer naar de pomp te voorkomen (13).

SPUITMONDSTUK.

► Het verstelbare sproeimondstuk stelt u in staat om een verscheidenheid aan spuitpatronen van een volle ventilatorsproeier (14) te gebruiken voor een directe straal (15) ► Wanneer u de hogedrukreiniger gebruikt om houten vlonders, gevelbekleding, voertuigen, enz. schoon te maken, start altijd met de ventilator en begin te sproeien vanaf minimaal 1 meter afstand om te voorkomen dat het oppervlak van het materiaal dat u schoonmaakt wordt beschadigd ► Begin altijd met spuiten in een testruimte die vrij is van personen en voorwerpen ► Waarschuwing; hogedrukstraal kan gevaarlijk zijn en mag niet worden gericht tegen personen, onder spanning staande elektrische apparatuur of de hogedrukreiniger zelf ► Richt de straal niet tegen uzelf ► De hogedrukreiniger is ontworpen voor een lange levensduur met een minimum aan onderhoud ► Optimaal gebruik hangt af van de juiste verzorging en regelmatige reiniging van de hogedrukreiniger ► Om ongelukken te voorkomen, altijd de stekker van de hogedrukreiniger uit het stopcontact halen vóór het schoonmaken of onderhoud ► De hogedrukreiniger kan na elk gebruik effectief worden gereinigd met behulp van perslucht ► Als er geen perslucht beschikbaar

is, gebruik dan een borstel om stof van de hogedrukreiniger te verwijderen ► Motor ventilatieopeningen schakelaarhendels moeten altijd schoon en vrij van stoffen ► Probeer tijdens het schoonmaken niet puntige voorwerpen door de openingen te voegen ► Sommige reinigings- en oplosmiddelen kunnen schade veroorzaken aan de kunststof onderdelen, onder deze zijn benzine, tetrachloorkoolstof, chloorhoudende schoonmaakmiddelen, ammoniak en huishoudelijke schoonmaakmiddelen die ammoniak bevatten ► Gebruik geen van deze om de hogedrukreiniger schoon te maken ► Mochten er overmatige vonken ontstaan, laat dan de Werku® officiële reparatiedienst een revisie maken en/of de koolborstels vervangen.

MILIEU BESCHERMING.

► De materialen en componenten die zijn gebruikt om dit product te vervaardigen kunnen worden hergebruikt en gerecycleerd ► Werku® is gehecht aan een geïntegreerd managementsysteem dat verantwoordelijk is voor de correcte verwijdering van de residuen van dit product ► Gooi dit product niet weg met de gewone vuilnis ► Werku® biedt haar klanten een gratis collectiedienst voor deze resten op elke verkooppunt, op het verzamelpunt van het managementsysteem en op het schone inzamelpunt van uw woonplaats.

GARANTIE EN TECHNISCHE SERVICE.

► Apart van de wettelijke garantie, biedt Werku® een extra commerciële garantie ► Deze commerciële garantie dekt de reparatie van alle geconstateerde gebreken die te wijten zijn aan fouten in het materiaal of de fabricage ► Om deze dekking effectief te zijn is het noodzakelijk dat de gebreken verschijnen binnen de geldigheidsduur ► The consument heeft recht op gratis reparatie van alle defecten die Werku® erkent zoals opgenomen in de commerciële garantie (verzendkosten, arbeidskosten en materialen inbegrepen) en gekozen door Werku®, hetzij via de reparatie of door vervanging (eventueel met een nieuwer model) ► Deze commerciële garantie heeft geen invloed op de rechten van de consument gevestigd door de wet overeenkomstige Richtlijn 1999/44 /CE ► Deze commerciële garantie is geldig gedurende 24 maanden ► Als dit product is bestemd voor professioneel of industrieel gebruik, is de geldigheidsduur 12

maanden ► The geldigheidsduur begint op de datum van aankoop van de eerste consument ► Deze datum wordt getoond op de factuur of aankoopbon ► Acties voor claims tegen deze commerciële garantie vervallen zes maanden na het einde van de geldigheidsperiode ► Alle claims die voortvloeien uit deze commerciële garantie moeten aan de distributeur of aan de Technische Dienst worden voorgelegd ► Hiervoor moet u deze garantie correct ingevuld en gestempeld bij de distributeur presenteren, samen met de factuur of kassabon ► Voor welke informatie ook over deze commerciële garantie, kunt u contact opnemen met de Technische Dienst op het telefoonnummer +34 981 648 119, of per e-mail op info@werku.com ► Deze commerciële garantie geldt niet voor defecten veroorzaakt door onderdelen die versleten zijn door gebruik en andere vormen van natuurlijke slijtage, defecten veroorzaakt door het niet opvolgen van de instructies voor het gebruik, bij toepassingen waarvoor dit product niet bestemd is, voor afwijkende omgevingsfactoren, overbelasting of onzorgvuldig onderhoud of reiniging, voor gebreken veroorzaakt door het gebruik van onderdelen, accessoires of vervangingen die niet origineel Werku® onderdelen zijn, indien dit product geheel of gedeeltelijk gedemonteerd, aangepast of gerepareerd is door iemand verschillend van de Technische Dienst, bij minimale en irrelevante onregelmatigheden die het normale gebruik niet beïnvloeden ► Reparaties en vervangingen verlengen of vernieuwen de geldigheidsduur van deze commerciële garantie niet ► De vervangen onderdelen worden eigendom van Werku® ► Indien de koper dit product naar de Technische Dienst stuurt en deze niet voldoet aan de voorwaarden van deze commerciële garantie, zijn alle onkosten en transport risico's voor de koper ► Deze commerciële garantie is alleen geldig op het grondgebied van de Europese Unie ► Het bedrijf dat verantwoordelijk is voor de naleving van deze Werku® commerciële garantie is Werku Tools SA.

TECHNISCH ADVIES.

► De technische afdeling van Werku® staat tot uw beschikking om eventuele vragen op te lossen die u mocht hebben met betrekking tot zijn producten ► Als u contact wilt opnemen met ons team, stuur dan een e-mail naar info@werku.com.

DECLARAÇÃO CONFORMIDADE CE.

► Werku® declara que a lavadora alta pressão **WK400890** corresponde às Directivas e Normativas Europeias 2006/42/CE, EN60335-1:2012/A11:2014, EN60335-2-79:2012 e EN62233:2008.

La Coruña, 01/07/2019

R Yáñez

Werku Tools SA

CARACTERÍSTICAS TÉCNICAS.

► Voltagem-frequência 230V~50Hz ► Potência 1300W ► Classe I ► Índice protecção IPX5
► Rotações 2800 min⁻¹ ► Pressão trabalho 70 bar
► Pressão máxima 100 bar ► Caudal trabalho 6 l/min⁻¹ ► Caudal máximo 6.5 l/min⁻¹ ► Temperatura máxima 50° C ► Peso líquido 10 kg ► Pressão acústica LpA ≤75 dB(A) ► Pressão acústica LwA ≤86 dB(A) ► Vibração Aw ≤2.0 m/s².

PICTOGRAMAS.



Atenção



Risco de choque eléctrico



Não conecte directamente à rede de água



Risco de jato de alta pressão



Leia o manual de instruções



Use protecção para os olhos



Use protecção para as mãos



Use protecção corporal



Conformidade Europeia



Isolamento duplo



Resíduos de equipamentos eléctricos e eletrónicos

INSTRUÇÕES DE SEGURANÇA.

► Leia todos os avisos de segurança e todas as instruções ► Não seguir todas as advertências e as instruções listadas abaixo pode resultar em choque eléctrico, incêndio e/ou ferimento grave ► Manter todos os avisos e as instruções para referência futura ► Os acidentes poderam evitar-se em muitos casos dando-se conta de uma situação perigosa antes de que se produza, e observando fielmente os procedimentos de segurança apropriados ► Não utilize nunca esta lavadora alta pressão para aplicações que não sejam as especificadas neste manual.

COMPONENTES ELÉTRICOS.

► Perigo; perigo de um choque eléctrico ► Nunca tocar na ficha de rede e na tomada com as mãos molhadas ► Antes de qualquer utilização do aparelho, verificar se o cabo de ligação à rede e a ficha de rede não apresentam quaisquer danos ► O cabo de ligação à rede danificado tem que ser imediatamente substituído pelo serviço de assistência técnica ou por um técnico electricista autorizado ► Não colocar o aparelho em funcionamento se o cabo de ligação à rede estiver danificado ► Todas as peças condutoras de corrente na área de trabalho devem estar protegidas contra jactos de água ► Fichas de rede e acoplamentos de uma linha de extensão têm que ser estanques à água e não podem estar na água ► O acoplamento não pode estar pousado no chão ► Recomenda-se a utilização de tambores de cabos que assegurem que as tomadas se situem, pelo menos, 60 mm acima do chão ► Assegurar que os cabos de ligação à rede e de extensão não sejam danificados por trânsito, esmagamento, puxões ou problemas similares ► Proteger o cabo de rede contra calor, óleo e arestas afiadas ► Antes de efectuar trabalhos de conservação e de manutenção desligar o aparelho e retirar a ficha de rede ► Os trabalhos de reparação e trabalhos em componentes eléctricos só devem ser executados pelo Serviço de Assistência Técnica autorizado ► Atenção; o aparelho só deve ser ligado a uma ligação eléctrica executada por um técnico de instalação eléctrica, de acordo com IEC 60364 ► Ligar o aparelho só à corrente alternada ► A tensão deve corresponder à placa de características do aparelho ► Os aparelhos da classe de protecção I ► Só podem ser conectados a fontes de energia correctamente ligadas à terra ► Por motivos de segurança recomendamos, regra geral, que o aparelho seja operado com um disjuntor para corrente de defeito (máx. 30 mA) ► Um cabo de extensão

eléctrico inapropriado pode ser perigoso ► Utilizar ao ar livre apenas cabos de extensão eléctricos homologados e devidamente assinalados e com um corte seccional (diâmetro) adequado: 1 - 10 m: 1,5 mm²; 10 - 30 m: 2,5 mm² ► Desenrolar a linha de extensão sempre completamente do tambor de cabo.

MANUSEAMENTO SEGURO.

► Perigo; utilize o aparelho somente para os fins a que se destina ► Deve ter em consideração as condições locais e, ao utilizar o aparelho, ter em conta o comportamento de pessoas nas proximidades ► Controlar os componentes importantes como, por exemplo, mangueira de alta pressão, pistola pulverizadora manual e unidade de segurança relativamente a danos, antes de cada utilização ► Substituir imediatamente componentes danificados ► Não colocar o aparelho em funcionamento com componentes danificados ► Os jactos de alta pressão podem ser perigosos em caso de uso incorrecto ► O jacto não deve ser dirigido contra pessoas, animais, equipamento eléctrico activo ou contra o próprio aparelho ► Não dirigir o jato de alta pressão contra terceiros ou contra si próprio para a limpeza de roupa ou sapatos ► O jato de alta pressão pode danificar pneus e as válvulas dos mesmos ou provocar até o seu rebentamento ► O primeiro sinal de danos é a alteração da cor do pneu ► Os pneus / válvulas dos pneus danificados podem causar lesões mortais ► Guardar pelo menos uma distância do jato de 30 cm durante a limpeza de superfícies! ► Atenção; não utilizar o aparelho se outras pessoas se situarem no alcance do mesmo, a não ser que estas utilizem vestuário de protecção ► Este aparelho não deve ser manobrado por crianças ou pessoas não instruídas ► Este aparelho não é adequado para a utilização por pessoas com capacidades físicas, sensoriais e psíquicas reduzidas e por pessoas com falta de experiência e/ ou conhecimentos, excepto se forem supervisionadas por uma pessoa responsável pela segurança ou receberam instruções sobre o manuseamento do aparelho e que tenham percebido os perigos inerentes ► Crianças não podem brincar com o aparelho ► Supervisionar as crianças, de modo a assegurar que não brincam com o aparelho ► Cuidado; antes de iniciar quaisquer trabalhos com ou no aparelho, deve-se assegurar o posicionamento estável do aparelho, de modo a evitar acidentes ou danos causados pelo tombamento do aparelho ► Devido ao jato de água que sai do bico de alta pressão, uma força de recuo age sobre a pistola ► Garantir uma posição segura e segurar bem a pistola e a lança ► Nunca deixar o aparelho sem vigilância enquanto estiver a funcionar ► Advertência; no caso de longas interrupções de trabalho deve-se desligar o interruptor do aparelho ► Não operar o aparelho a temperaturas inferiores a 0°C.

OUTROS PERIGOS.

► Perigo; é proibido pôr o aparelho em funcionamento em áreas com perigo de explosão ► Não projetar jatos de água contra objetos que contenham substâncias nocivas à saúde (p.ex. amianto) ► Nunca aspirar líquidos com teores de diluentes ou ácidos e dissolventes não diluídos! ► Trata-se de materiais como gasolina, diluente de tinta ou gasóleo de aquecimento ► A névoa de pulverização é altamente inflamável, explosiva e tóxica ► Não utilizar acetona, ácidos e diluentes não diluídos, dado que podem atacar os materiais utilizados no aparelho ► Manter as películas da embalagem fora do alcance das crianças! ► Perigo de sufocamento! ► Atenção; de acordo com as prescrições em vigor, o aparelho nunca pode ser ligado à rede de água potável sem separador de sistema ► Assegurar que a conexão da instalação de água doméstica seja operada na lavadora de alta pressão com um separador de sistema, segundo EN 12729, tipo BA ► A água que tenha entrado no separador de sistema, já não é considerada água potável ► As mangueiras de alta pressão, os comandos e os acoplamentos são importantes para a segurança do aparelho ► Utilizar unicamente mangueiras de alta pressão, comandos e acoplamentos recomendados pelo fabricante ► Durante a separação da mangueira de admissão ou da mangueira de alta pressão, pode verificar-se a saída de água quente pelas ligações após o funcionamento ► Cuidado; ter em consideração o peso do aparelho (ver dados técnicos), aquando da escolha do local de armazenamento e do transporte, de modo a evitar acidentes ou ferimentos ► Nos aparelhos com um valor de vibração mão/braço > 2,5 m/s² (ver dados técnicos) ► Cuidado; a utilização ininterrupta durante longas horas pode causar, em situações raras, uma sensação de dormência das mãos ► Usar luvas ► Manter as mãos quentes ► Fazer intervalos periódicos.

TRABALHAR COM DETERGENTES.

► Atenção; este aparelho foi desenvolvido para a utilização de detergentes, fornecidos ou recomendados pelo fabricante ► A utilização de outros detergentes ou agentes químicos pode afectar a segurança do aparelho ► A utilização de detergentes errados pode provocar ferimentos ou intoxicações graves ► Guardar os detergentes num local inacessível a crianças.

EQUIPAMENTO SEGURANÇA.

► Cuidado; as unidades de segurança protegem o utilizador e não podem ser alteradas ou colocadas fora de serviço.

EQUIPAMENTO PROTECÇÃO PESSOAL.

► Cuidado; utilizar roupa de protecção e óculos de protecção contra salpicos de água ou sujidades

► Durante a utilização de lavadoras de alta pressão podem ser produzidos aerossóis ► A inalação de aerossóis pode ter consequências graves para a saúde ► Consoante a aplicação podem ser utilizados bicos completamente blindados (p. ex. limpeza de superfícies) para os trabalhos de limpeza com a lavadora de alta pressão, os quais reduzem substancialmente a projecção de aerossóis aquosos ► A utilização deste tipo de blindagem não é possível em todas as aplicações ► Sempre que não for possível utilizar um bico completamente blindado, deve-se utilizar uma máscara respiratória da classe FFP2 ou similar, que se adapte às condições de limpeza.

SEGURANÇA DO ÁREA DE TRABALHO.

► Manter a área de trabalho limpa e bem iluminada ► As áreas desorganizadas e escuras provocam acidentes ► Não opere ferramentas eléctricas em atmosferas explosivas, como na presença de líquidos, gases ou poeiras inflamáveis ► Manter longe do alcance das crianças e curiosos enquanto estiver operando uma ferramenta eléctrica ► As distrações podem fazer você perder o controle.

SEGURANÇA PESSOAL.

► Esteja alerta, observe o que está fazendo e use o bom senso ao operar uma ferramenta eléctrica ► Não use a ferramenta quando estiver cansado ou sob a influência de drogas, álcool ou medicamentos ► Um momento de desatenção enquanto opera uma ferramenta pode causar ferimentos graves.

NÃO TRABALHE DE PUNTILHAS.

► Mantenha seus pés no chão e equilíbrio em todos os momentos ► Isso permite melhor controle da ferramenta em situações inesperadas.

USAR ROUPA APROPRIADA.

► Não use roupas folgadas ou jóias ► Manter o cabelo, roupas e luvas longe das peças móveis ► Roupas folgadas, jóias ou cabelos longos podem ser agarradas por partes ► Se houver dispositivos para conexão através de extracção e colecta de pó, verifique se eles estão conectados e usados correctamente ► O uso destes dispositivos podem reduzir os riscos relacionados à poeira.

NÃO FORCE O CABO ELÉCTRICO.

► Nunca use o cabo de carregar, erguer ou retirar a ferramenta eléctrica ► Mantenha o cabo longe do calor, óleo, cantos afiados ou partes móveis ► Os cabos danificados ou emaranhados aumentam o risco de choque eléctrico ► Ao operar uma ferramenta eléctrica ao ar livre, use um cabo de extensão apropriado para uso externo ► O uso de um cabo de extensão apropriado para áreas exteriores reduz o risco de choque eléctrico ► Se a utilização de uma ferramenta eléctrica em um local

húmido estiver disponível, usar um poder protegida por um dispositivo de corrente residual (RCD) ► O uso de um RCD reduz o risco de choque eléctrico.

USO E CUIDADOS COM FERRAMENTAS ELÉCTRICAS.

► Não force a ferramenta eléctrica ► Use a ferramenta eléctrica correta para sua aplicação ► A ferramenta eléctrica correta fará o trabalho melhor e mais seguro se a taxa para o qual foi concebido ► Não use a ferramenta eléctrica se o interruptor não pode ser posicionada em posição “off” e “on” ► Qualquer ferramenta eléctrica que não pode ser controlada com o interruptor é perigosa e deve ser reparada ► Retire o plugue da alimentação e/ou da bateria antes de fazer quaisquer ajuste, troco de acessórios ou amacenação de ferramentas eléctricas ► Tais medidas preventivas reduzem o risco de accionamento acidental da ferramenta eléctrica.

GUARDE AS FERRAMENTAS ELÉCTRICAS.

► Guarde as ferramentas fora do alcance das crianças e não permitir o manuseamento de ferramentas eléctricas para as pessoas não familiarizadas com as ferramentas ou com estas instruções ► As ferramentas eléctricas são perigosas nas mãos de utilizadores inexperientes.

MANUTENÇÃO.

► Verifique as partes móveis de desalinhamento, não há peças quebradas ou outras condições que podem afectar o funcionamento das ferramentas eléctricas ► As ferramentas eléctricas são reparadas antes da utilização, quando estão danificadas ► Muitos acidentes são causados por ferramentas eléctricas sem manutenção ► Use ferramentas eléctricas, acessórios e pontas de ferramentas, etc de acordo com estas instruções e na forma prevista para o tipo particular da ferramenta, levando em conta as condições de trabalho e o trabalho a desenvolver ► O uso da ferramenta eléctrica para outras aplicações que não foram previstas, pode resultar em uma situação perigosa ► Verifique a sua ferramenta reparada por um serviço oficial de reparação Werku® usando peças de substituição idênticas ► Isso irá garantir a segurança da ferramenta seja mantida.

ANTES DE COMEÇAR A TRABALHAR.

► Certifique-se que se encontra firmemente apoiado ► Certifique-se que não há ninguém debaixo da zona de influência da lavadora alta pressão quando levar a cabo trabalhos em zonas elevadas ► Afaste as mãos das partes em movimento da lavadora alta pressão.

DURANTE O FUNCIONAMENTO.

► Não deixe a lavadora alta pressão a funcionar sem tela bem fixa ► Coloque-o em funcionamento quando tiver a certeza que está perfeitamente

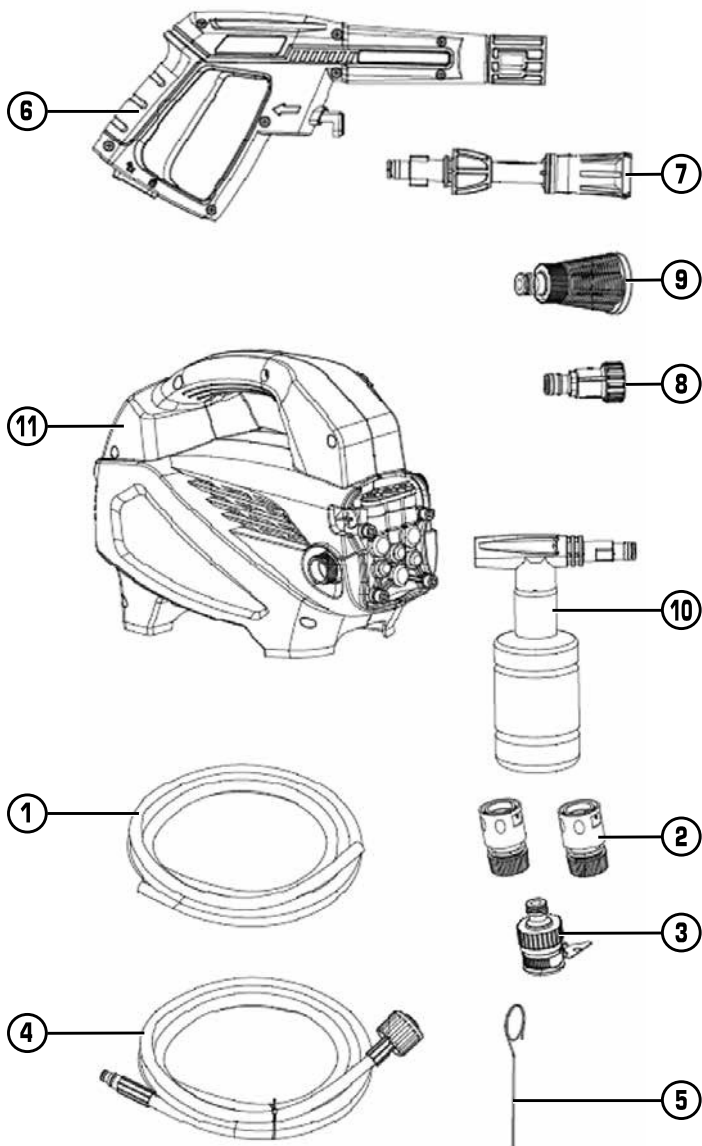
controlado ► Não aponte a lavadora alta pressão a ninguém durante o funcionamento ► A lavadora alta pressão produzirá vibrações durante o funcionamento ► Os parafusos podem afrouxar progressivamente podendo causar avarias ou acidentes ► Afaste as mãos das partes em movimento da lavadora alta pressão.

AO TERMINAR DE TRABALHAR.

► Não toque nos acessórios instalados na lavadora alta pressão após a sua utilização ► Pode estar muito quente e provocar queimaduras ► Alguns materiais sobre os quais trabalhará podem conter químicos ou componentes que podem ser tóxicos ► Tenha cuidado para prevenir a inalação destas substâncias ou o contacto com a pele ► Utilize os EPIs desenhados para o prevenir e proteger destas incidências.

DESCRIÇÃO DO PRODUTO.

► A lavadora alta pressão foi desenhada para realizar trabalhos de limpeza ► Observe este esquema para se familiarizar com a lavadora alta pressão antes de a utilizar.



1. Mangueira entrada água.
2. Conector rápido.
3. Conector torneira.
4. Mangueira alta pressão.
5. Passador limpeza.
6. Pistola.
7. Bico pulverização ajustável.
8. Conector entrada água.
9. Filtro entrada água.
10. Garrafa detergente.
11. Lavadora alta pressão.

INSTRUÇÕES DE USO.

► Antes de colocar a lavadora alta pressão em funcionamento, aconselhamos a ler completa e minuciosamente todas as instruções que se indicam ► Ainda assim, deverá ter em conta as normas para a prevenção de acidentes, os regulamentos e as directivas, as leis e restrições vigentes para os centros de trabalho ► A lavadora alta pressão deve de ser utilizado unicamente por pessoas devidamente preparadas para a sua operação e exclusivamente de acordo com os fins previstos.

FONTES DE ALIMENTAÇÃO.

► Certifique-se de que a fonte de alimentação se ajusta aos requisitos especificados na placa de dados da lavadora alta pressão (1) ► Pôr o motor a funcionar a baixa voltagem fará com que este opere lentamente ► Isto reduzirá o rendimento e pode causar o sobreaquecimento do motor.

EXTENSÃO ELÉCTRICA.

► Quando a zona de trabalho estiver afastada da fonte de alimentação, utilize uma extensão eléctrica com diâmetro e qualidade suficientes.

MONTAGEM.

► Insira o bico de pulverização regulável na pistola; empurre e rode o bico no sentido horário sobre a pistola até esta ficar bloqueada ► Todos os acessórios devem ser inseridos na pistola para uma utilização correcta (2) ► Aparafuse o tubo flexível de alta pressão (3) ► Cuidado; antes de utilizar a lavadora alta pressão, certifique-se de que o tubo flexível de alta pressão foi completamente desenrolado ► Enquanto a lavadora alta pressão estiver a funcionar, o tubo flexível de alta pressão não deve fazer laço ► Ligue o tubo flexível de alta pressão à pistola; Insira-o e ligue-o rapidamente para evitar fugas ► Prima o botão de bloqueio do tubo flexível e pode retirar o tubo flexível de alta pressão (4) ► Insira o bico do detergente na pistola ► Empurre e rode o bico do detergente no sentido horário sobre a pistola até estar apertado para o bloquear no lugar (5) ► Aparafuse o conector rápido e o filtro no tubo de entrada de água (6) ► Ligue a mangueira a ambas as extremidades da mangueira de entrada de água e, em seguida, ligue a mangueira de entrada de água à mangueira da torneira e à lavadora alta pressão (7,

8, 9) ► Cuidado; Antes de ligar o conector rápido à lavadora alta pressão, verifique se o filtro está montado na entrada de água e se não está bloqueado; a não montagem do filtro danificará as válvulas da bomba.

INICIAR.

► Aviso; a mangueira de alta pressão não deve fazer laço ► Aviso; desligue sempre o motor antes de desligar o abastecimento de água ► O motor pode ficar seriamente danificado se funciona sem água ► Abra totalmente a torneira de abastecimento de água ► Desbloquear o gatilho (premindo primeiro o botão de segurança e depois puxando o gatilho) durante alguns segundos; deixe a água sair do bico ► Verifique as juntas de vedação quanto a fugas de água; em caso afirmativo, volte a ligar o tubo flexível de água, pistola ou lança para garantir que cada acessório está perfeitamente ligado ► Ligue à fonte de alimentação ► Coloque o interruptor da ignição na posição ON (10) ► Acione o gatilho e ligue a lavadora alta pressão ► Aviso; verificar se a tensão de alimentação e a frequência correspondem às indicadas na placa de características ► Alavadora alta pressão de pressão só pode ser ligada à rede eléctrica através de um interruptor de segurança (máx. 30mA) para cortar a alimentação eléctrica em caso de curto-circuito.

PARAGEM DA LAVADORA ALTA PRESSÃO.

► O motor pode sofrer danos graves se a lavadora alta pressão funciona sem água ► Solte o gatilho e o motor irá parar ► Coloque o interruptor na posição de desligado ► Desligue a ficha da tomada ► Aviso; se estas instruções não forem seguidas, podem ocorrer danos na lavadora alta pressão.

MUDANÇA ACESSÓRIOS.

► Cuidado; nunca desligue a mangueira de descarga da lavadora alta pressão enquanto o sistema estiver pressurizado ► Para despressurizar, desligue o motor, desligue o fornecimento de água e aperte o gatilho 3 vezes.

BOTÃO SEGURANÇA PISTOLA.

► Quando não utilizar a lavadora alta pressão, pressione o botão de bloqueio para evitar uma operação acidental (11).

SEGURO PISTOLA.

► Segure na posição correcta, com uma mão no punho e a outra no bico de pulverização regulável.

USO DETERGENTE.

► Adicione detergente ao depósito e monte-o ► Insira a extremidade do distribuidor de detergente com a patilha de plástico na abertura da pistola de pulverização, empurre e rode no sentido dos ponteiros do relógio para bloquear o dispensador de detergente e a pistola de pulverização (12) ► O uso de detergentes pode reduzir drasticamente o tempo de limpeza e ajudar a remover manchas persistentes ► O uso de detergentes mais espessos,

como saboneteira, obstruirá o sistema de injeção química e impedirá a aplicação de detergente

► Existem detergentes específicos para o uso de lavadoras de alta pressão Estes detergentes são aproximadamente tão espessos quanto a água ► O uso de detergentes mais espessos, como detergente, obstruirá o sistema de injeção de produtos químicos e evitará a aplicação de detergente ► Limpeza de detergentes vem de aplicá-los a uma superfície e dar produtos químicos tempo para quebrar sujeira e sujeira ► Os detergentes funcionam melhor quando som aplicados em baixa pressão.

FILTRO DE ENTRADA DE ÁGUA.

► O filtro de entrada de água deve ser inspeccionado regularmente para evitar obstruções e restrições no fornecimento de água à bomba (13).

BICO PULVERIZAÇÃO.

► O bico de pulverização ajustável permite utilizar qualquer variedade de padrões de pulverização, desde um jacto completo (14) a um jacto directo (15) ► Quando utilizar a lavadora alta pressão para limpar pavimentos de madeira, forros, veículos, etc..., comece sempre a utilizar o pulverizador com ventilador e comece a pulverizar a uma distância mínima de 1 metro para evitar danificar a superfície do material que está a limpar ► Comece sempre a pulverizar numa área de teste sem pessoas nem objectos ► Aviso; o jacto de alta pressão pode ser perigoso e não deve ser dirigido a pessoas, equipamentos eléctricos sob tensão ou à própria máquina de lavar ► Não dirija o jacto contra si ou outros para limpar roupas ou sapatos.

PASSADOR LIMPEZA.

► Para usar o pino de limpeza, insira o cabo no orifício do bico e mova para frente e para trás até que a sujeira seja liberada (16).

DESLIGADO.

► Quando terminar de utilizar a lavadora alta pressão, siga estes passos para desligar ► Desligue a lavadora alta pressão ► Desligue a alimentação de água ► Antes de desligar a conexão da mangueira de alta pressão, aponte a pistola numa direcção segura e descarregue a água a alta pressão ► Desligue o tubo flexível de alta pressão da lavadora alta pressão e da pistola ► Desligue o tubo flexível de fornecimento de água a alta pressão ► Retire o excesso de água da bomba inclinando a lavadora alta pressão a ambos lados para drenar a água restante dos acessórios de entrada e saída ► Desligue o tubo flexível de alta pressão da lavadora alta pressão e da pistola ► Retire o excesso de água da bomba inclinando-o para drenar a água restante das ligações de entrada e saída ► Retire o filtro de entrada de água e lave com água para remover sujidade ou resíduos ► Retire o filtro após a limpeza ► Drene o depósito de detergente

e lave com água corrente ► Limpe qualquer água restante em todas as peças e acessórios ► Ative o bloqueio de segurança da pistola ► Guarde a lavadora alta pressão, as peças e acessórios numa área com uma temperatura superior a 0° C.

MANUTENÇÃO.

► Esta lavadora alta pressão tem um sistema de lubrificação fechado, portanto, não é necessário adicionar óleo ► Verifique se todas as mangueiras e acessórios não estão danificados antes de usá-los ► Verifique periodicamente a existência de depósitos no filtro de entrada ► Limpar regularmente este filtro para obter o máximo desempenho ► A lavadora alta pressão foi desenhada para funcionar durante muito tempo com o mínimo de manutenção ► O funcionamento óptimo depende do bom cuidado da lavadora alta pressão e de uma limpeza frequente ► Para evitar acidentes, retire sempre a lavadora alta pressão da fonte de alimentação antes de dar início à limpeza ou a qualquer tipo de manutenção da mesma ► A lavadora alta pressão deverá ser limpa de maneira eficaz mediante o uso de ar comprimido ► Utilize sempre óculos protetores quando trabalhar com ar comprimido ► Se não poder utilizar ar comprimido, retire as poeiras da lavadora alta pressão com uma escova ► As fendas de ventilação do motor e os interruptores devem estar sempre limpos e sem qualquer tipo de resíduos ► Não tente limpá-los introduzindo objectos pontiagudos através das aberturas ► Alguns produtos de limpeza e dissolventes danificam os componentes de plástico, entre os quais se destaca a gasolina, o tetraclorometano, os dissolventes de limpeza clorados, o amoníaco, os produtos de limpeza clorados, e os produtos de limpeza domésticos que contêm amoníaco ► Não utilize nenhum dos produtos anteriormente mencionados para limpar a lavadora alta pressão ► Caso detecte a formação de faíscas de modo excessivo, faça com que o Serviço oficial de reparação Werku® reveja a lavadora alta pressão e/ou substitua as escovas.

PROTECÇÃO DO MEIO AMBIENTE.

► Os materiais e os componentes que foram usados para fazer este produto podem ser reutilizados e reciclados ► Werku® está aderido a um Sistema Integrado de Gestão que está encarregado da correta eliminação dos resíduos deste produto ► Não elimine este produto com os resíduos domésticos ► Werku® oferece aos seus clientes um serviço livre de colecção destes resíduos nos seus pontos de venda, nos pontos da colecção estabelecidos pelo Sistema Integrado de Gestão ou no ponto de reciclagem da sua cidade.

GARANTIA E SERVIZO TÉCNICO.

► Para além da garantia legal, a Werku® oferece uma garantia comercial adicional ► Esta garantia comercial cobre a reparação dos defeitos resultantes de erros nos materiais ou na fabricação ► Para isso é imprescindível que os defeitos ocorram dentro do período de validade

► O consumidor tem direito á reparação gratuita dos defeitos que a Werku® reconheça como incluídos na garantia comercial (custos de envio, mão de obra e materiais incluídos), cabendo á Werku®, optar pela reparação da escada defeituoso ou pela substituição (substituindo, se for necessário, por um modelo posterior) ► Esta garantia comercial não afecta os direitos do consumidor estabelecidos pela lei de acordo com a Directiva 1999/44/CE ► O período de validade desta garantia comercial é de 24 meses ► Caso o producto se destine a um uso profissional ou industrial, o período de validade é de 12 meses ► O período de validade começa na data de aquisição pelo primeiro consumidor ► Esta data está reflectida na factura ou ticket de compra ► A acção para reclamar o cumprimento desta garantia comercial prescreve seis meses a contar do fim do período de validade ► A reclamação em virtude desta garantia comercial deve apresentar-se ao distribuidor ou ao Serviço de Assistência Técnica ► Para isso é imprescindível apresentar esta garantia devidamente preenchida e selada pelo distribuidor, juntamente com a factura ou o ticket de compra ► Para qualquer informação referente a esta garantia comercial o comprador e/ou o distribuidor pode pôr-se em contacto com o Serviço de Assistência Técnica, através do telefone +34 981 648 119, ou por correio electrónico info@werku.com ► Ficam excluída desta garantia comercial os defeitos que tenham sido causados por peças desgastadas pelo uso ou outro tipo de desgaste natural, os defeitos causados pela inobservância ou incumprimento das instruções de uso e funcionamento, ou de aplicações não conformes com o uso a que se destina este producto, ou de factores ambientais anormais, ou de sobrecarga, ou de manutenção ou limpeza inadequadas, defeitos causados pelo uso de acessórios, complementos ou peças de substituição que não sejam peças originais da Werku®, o producto total ou parcialmente desmontado, modificado ou reparado por pessoal alheio ao Serviço de Assistência Técnica o as irregularidades mínimas e irrelevantes para o uso e funcionamento adequado ► As reparações e substituições não prolongam nem renovam o prazo de validade desta garantia comercial ► As peças substituídas passam a ser propriedade da Werku® ► Se o comprador enviar o producto para o Serviço de Assistência Técnica, não cumprindo as condições desta garantia comercial, as despesas e riscos de transporte correm a cargo do comprador ► Esta garantia comercial é válida dentro do território da União Europeia ► A empresa responsável pelo cumprimento desta garantia comercial da Werku® é Werku Tools SA.

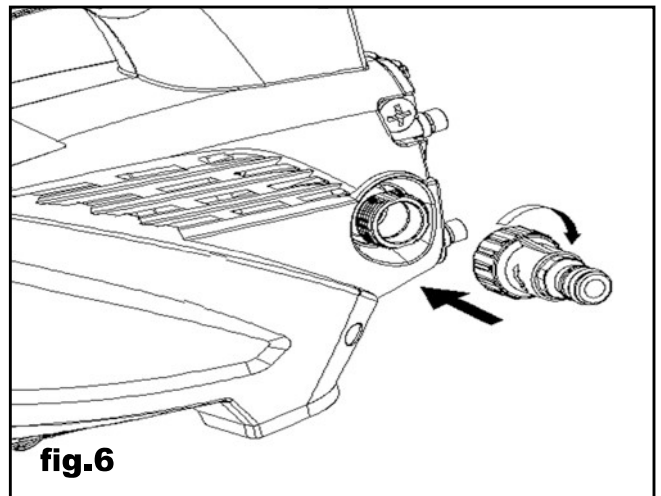
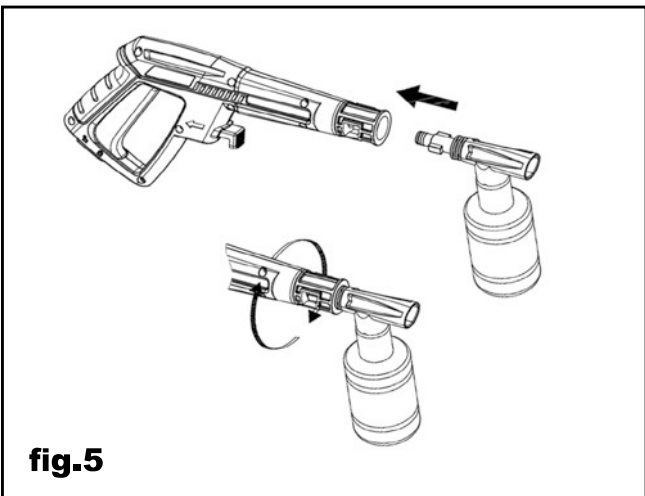
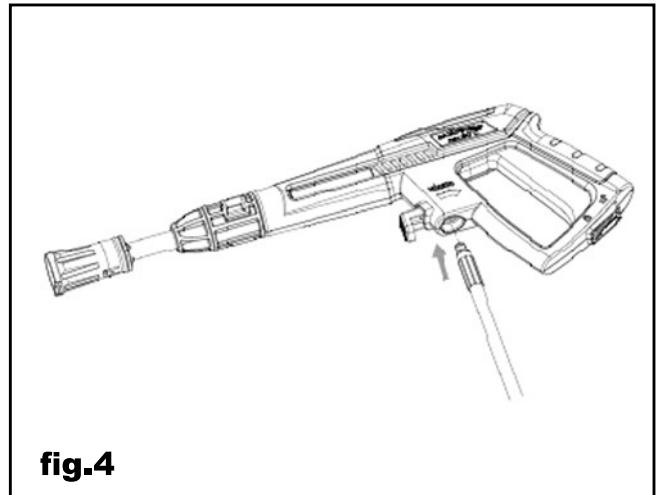
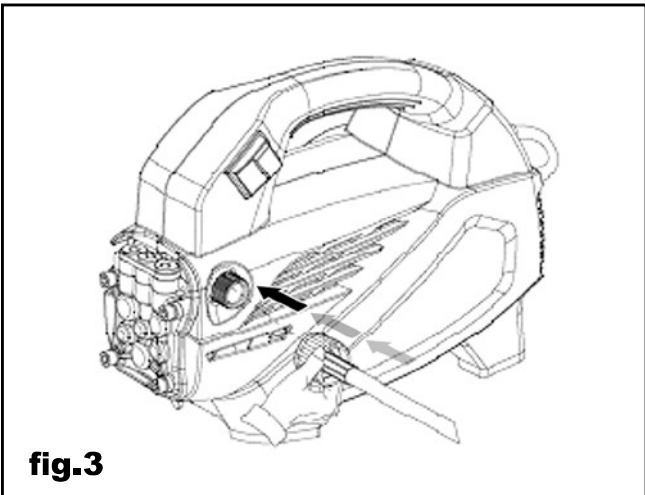
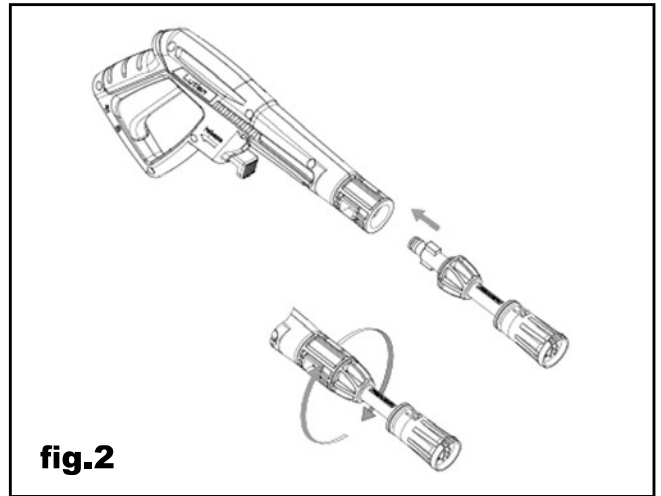
ASSESSORAMENTO TÉCNICO.

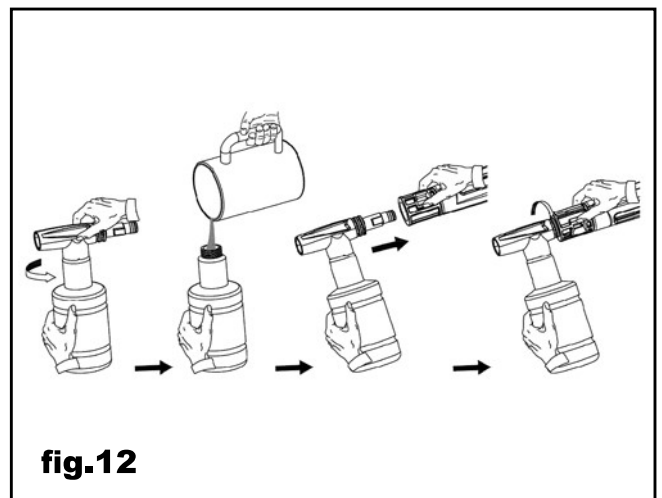
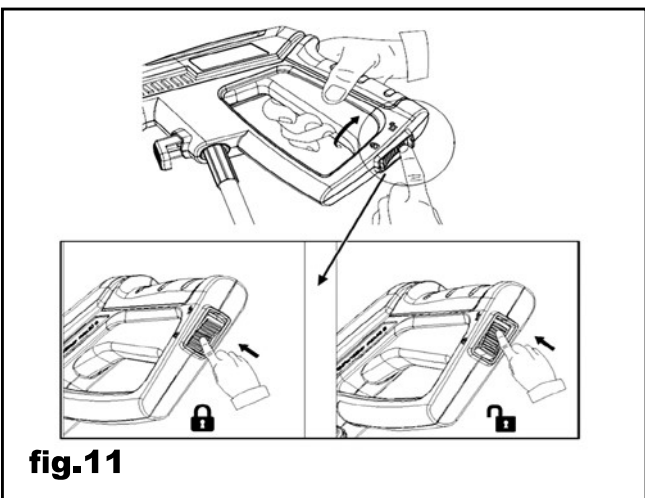
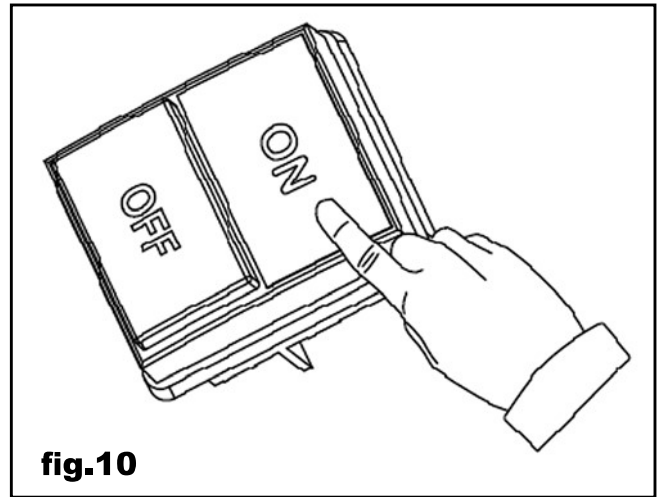
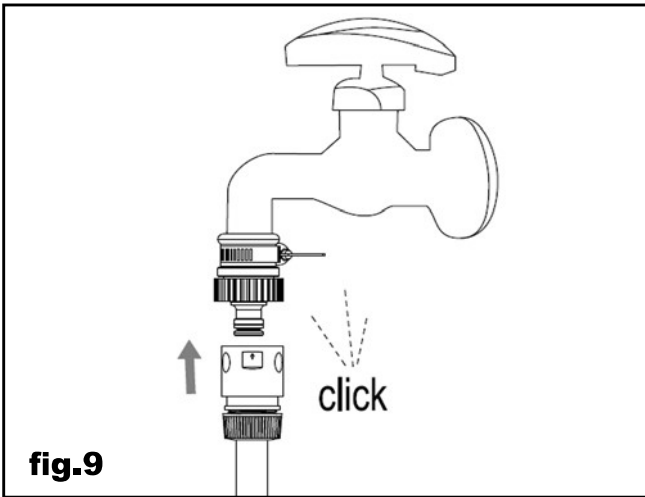
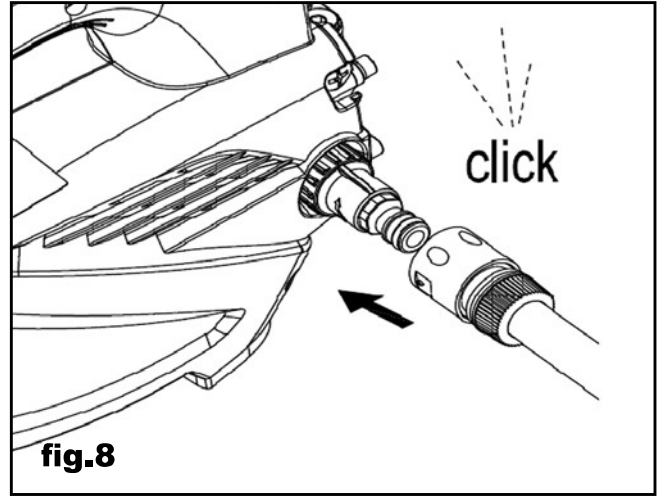
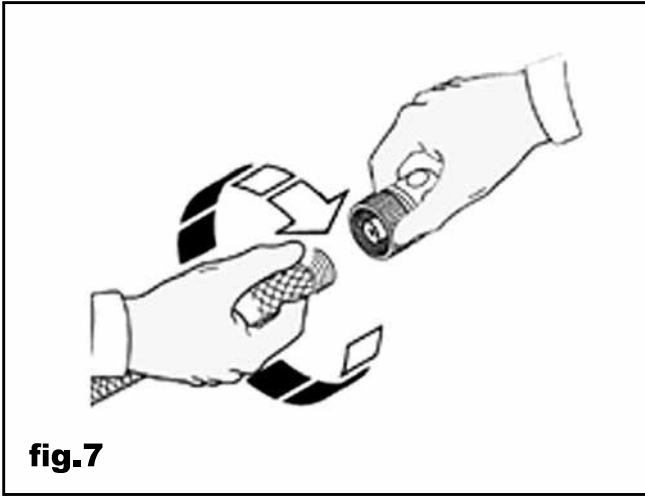
► A Werku® põe a sua disposição seu departamento técnico para resolver qualquer dúvida que possa surgir sobre seus produtos ► Em caso que deseje estabelecer contato com nossa equipe, remeta um correio electrónico à direção info@werku.com.

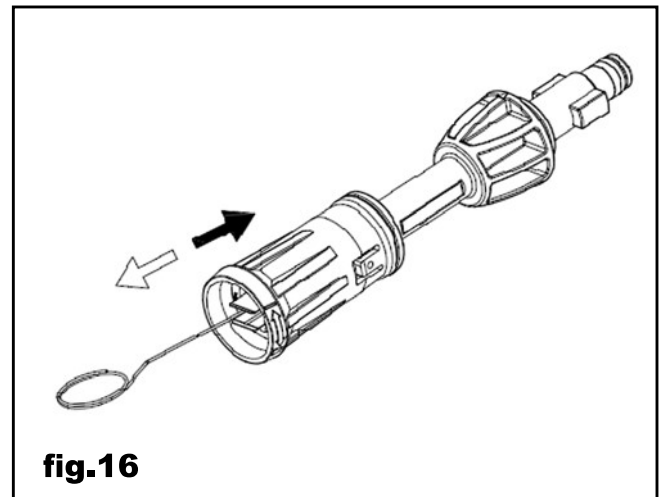
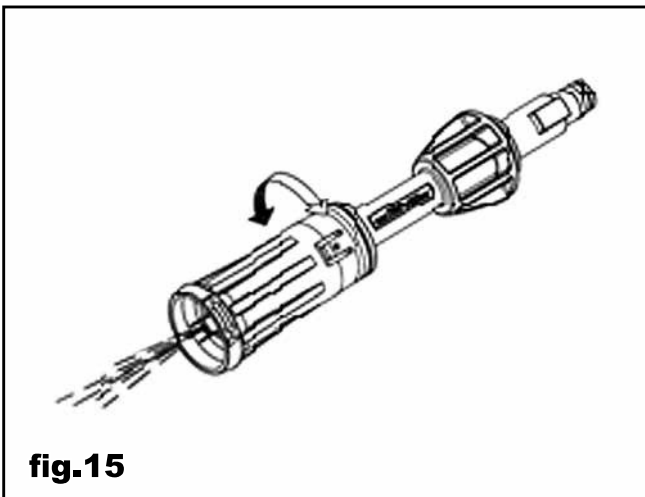
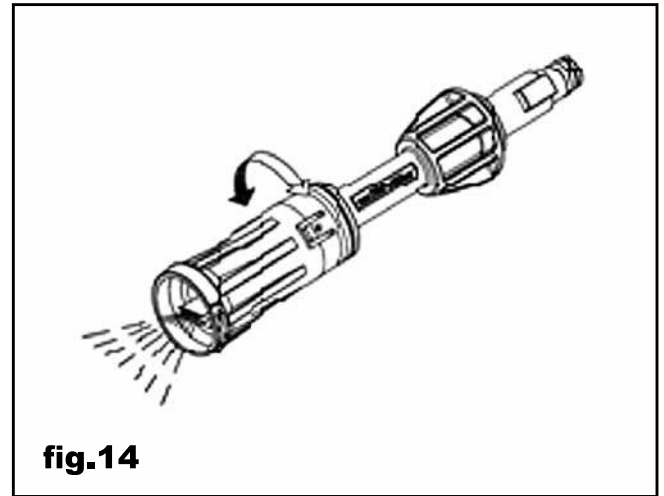
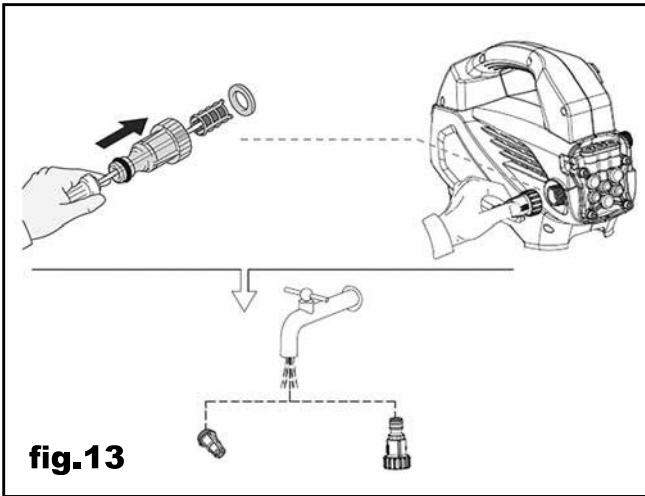
WERKU®

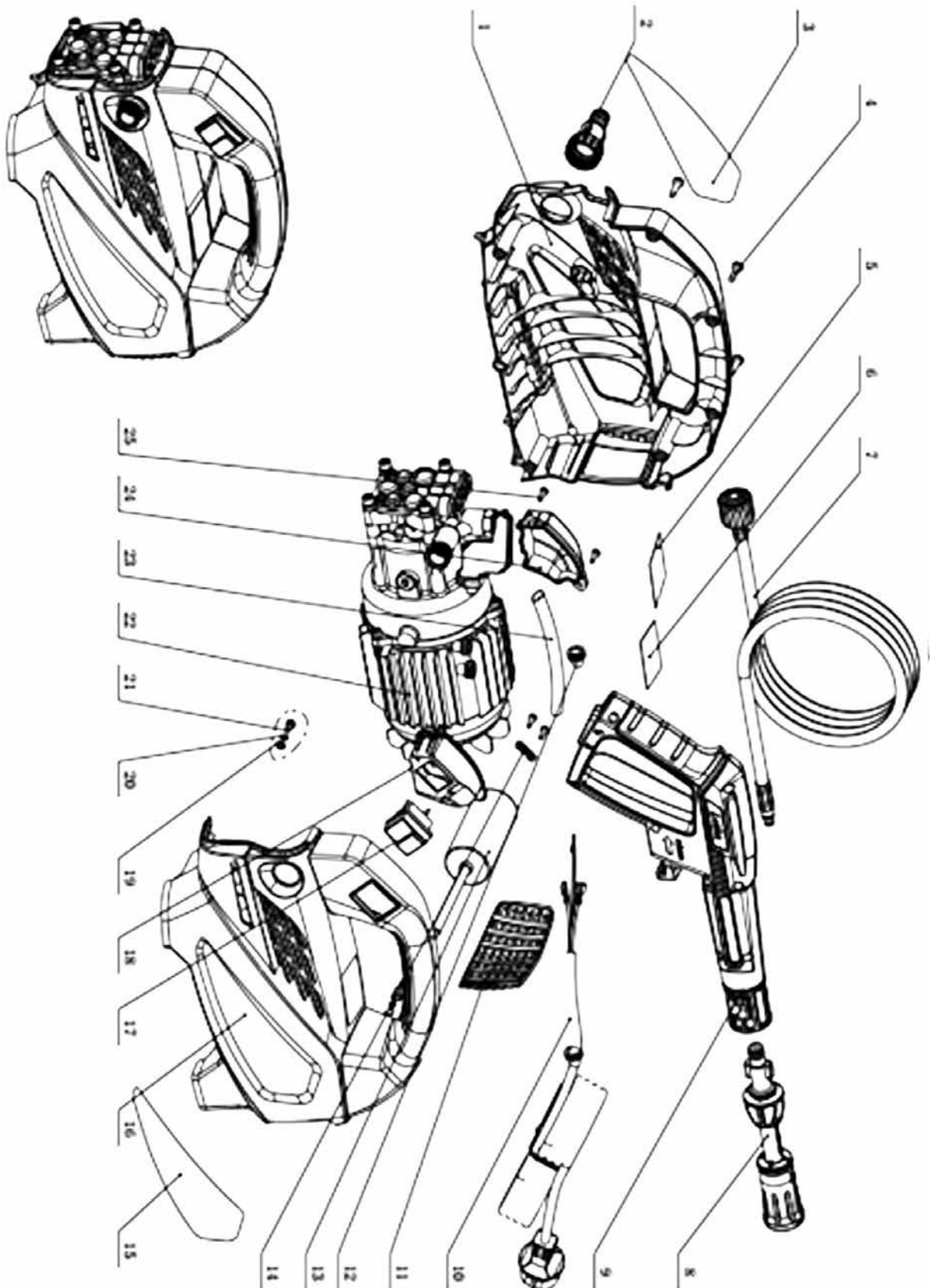
WK400890
 230 V - 50 HZ
 2800 MIN⁻¹ - IPX5
 6 L/MIN (MAX 6.5L/MIN)
 70 BAR (MAX 100BAR)
 10 KG - MAX TEMP 60° C
 SERIE 0121 - MADE IN PRC 01/2021
 WERKU TOOLS SA - LA CORUÑA - SPAIN

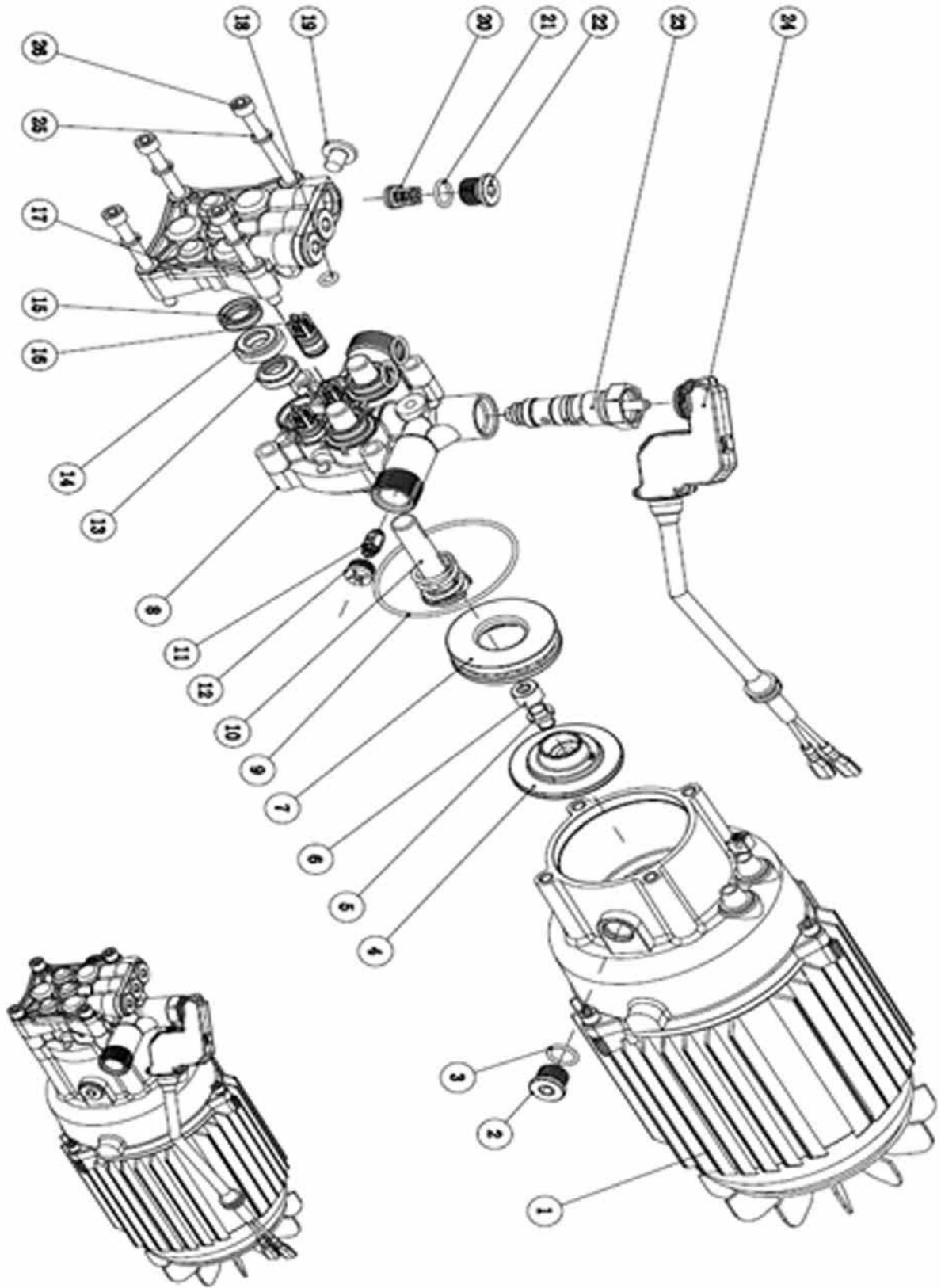
fig.1











GUARANTEE

►Service under guarantee is only provided upon presentation of this signed and stamped guarantee, together with the invoice or receipt.

GARANTÍA

►Para hacer uso del servicio de garantía es imprescindible la presentación de esta garantía debidamente cumplimentada y sellada, junto con la factura o ticket de compra.

GARANTIE

►Service unter Garantie ist nur versehen bei Vorlage dieses unterzeichneten und abgestempelten Garantie, zusammen mit der Rechnung oder Quittung.

GARANTIE

►Service sous garantie est fournie uniquement sur présentation de la garantie signée et cachetée, avec la facture ou le reçu.

GARANTIE

►Service onder garantie wordt alleen verstrekt op vertoon van deze getekende en gestempelde garantie, samen met de factuur of kassabon.

GARANTIA

►A assistência técnica em garantia so e prestada mediante a prestação desta garantia devidamente cumprimentada e selada, junto com a fatura ou ticket de compra.

ITEM NUMBER
NÚMERO ARTÍCULO
ARTIKELNUMMER
NUMÉRO D'ARTICLE
ARTIKELNUMMER
NÚMERO ARTIGO

WK400890

DATE OF PURCHASE
FECHA DE COMPRA
KAUFDATUM
DATE D'ACHAT
DATUM VAN AANKOOP
DATA DE COMPRA

____ / ____ / ____

DISTRIBUTOR STAMP
SELLO DISTRIBUIDOR
VERTRIEBER STEMPEL
DISTRIBUTEUR CACHET
DEALER STEMPEL
CARIMBO DISTRIBUIDOR

