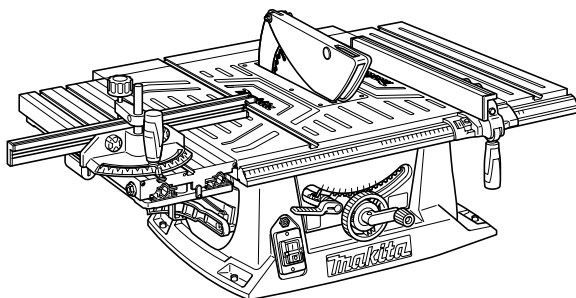
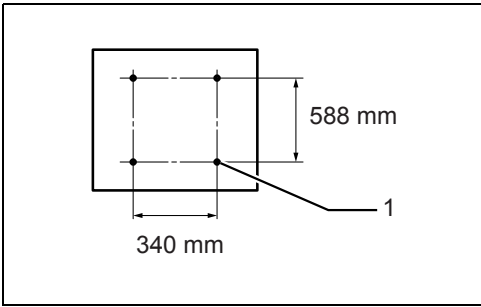




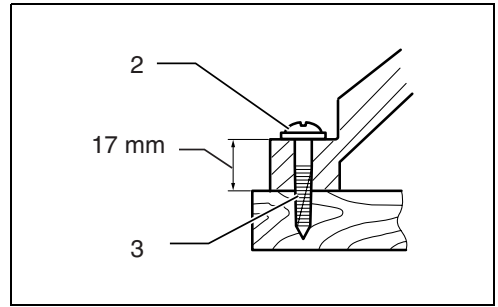
GB	Table Saw	Instruction manual
F	Scie circulaire à table	Manuel d'instructions
D	Tischkreissäge	Betriebsanleitung
I	Sega da tavolo	Istruzioni per l'uso
NL	Tafelcirkelzaag	Gebruiksaanwijzing
E	Sierra de mesa	Manual de instrucciones
P	Serra de mesa	Manual de instruções
DK	Bordsav	Brugsanvisning
GR	Επιτραπέζιο πριόνι	Οδηγίες χρήσης

MLT100

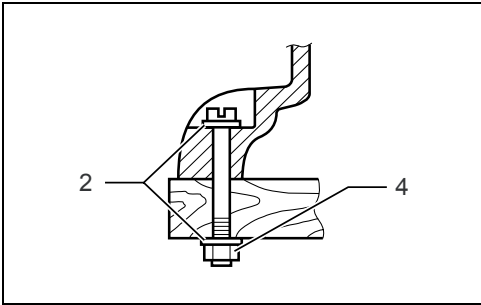




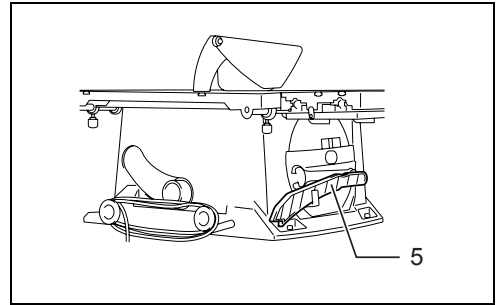
1



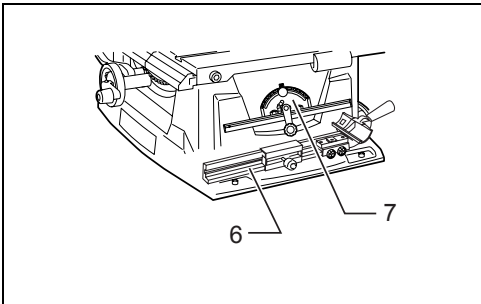
2



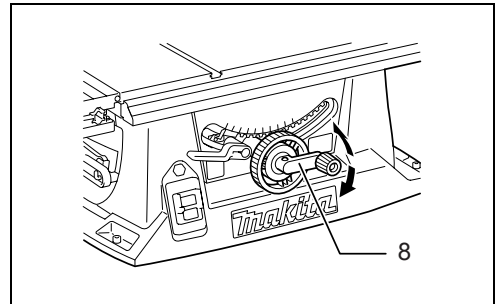
3



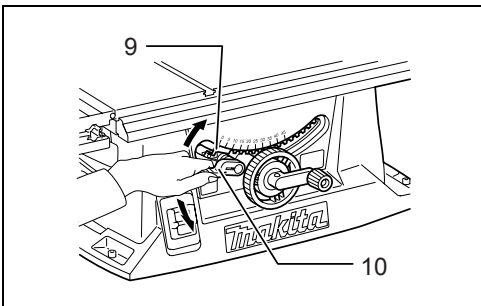
4



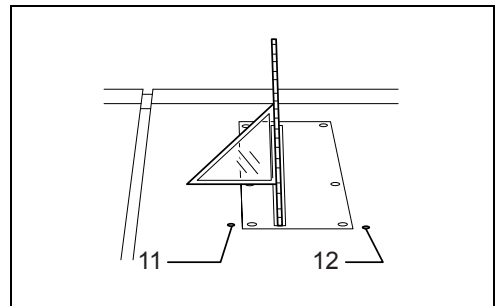
5



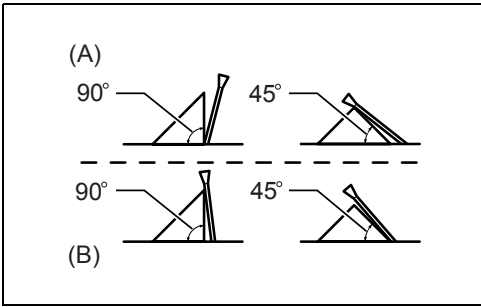
6



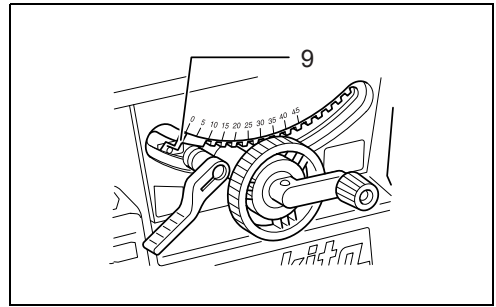
7



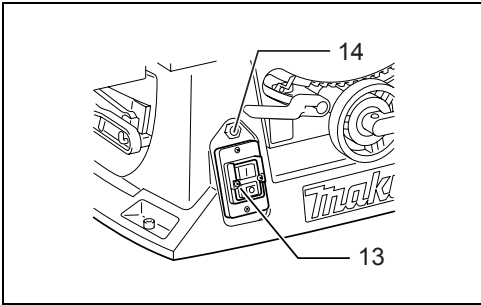
8



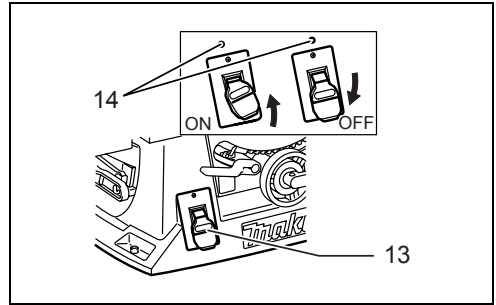
9



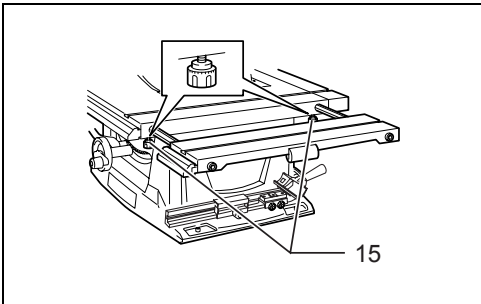
10



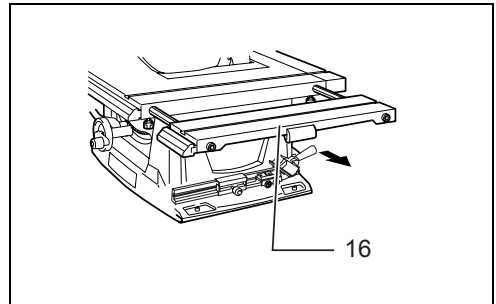
11



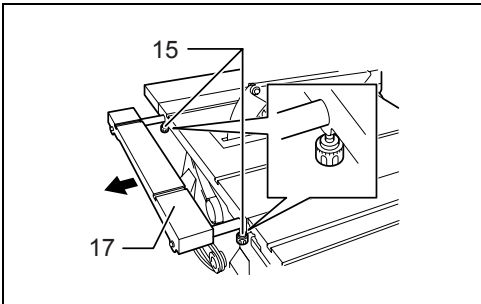
12



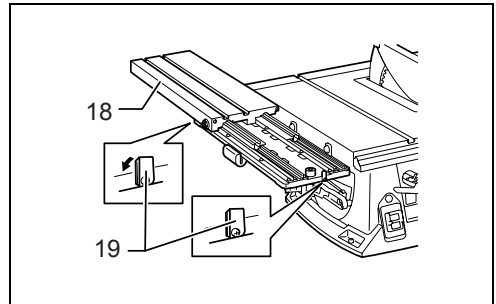
13



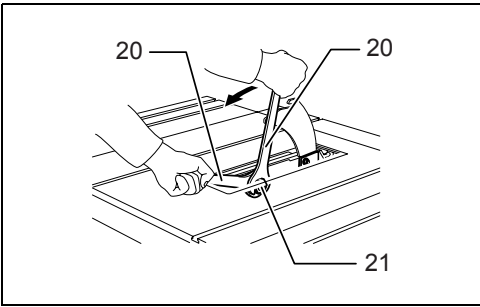
14



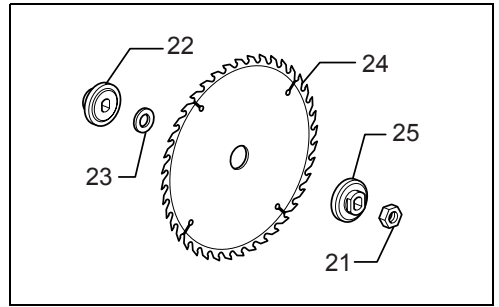
15



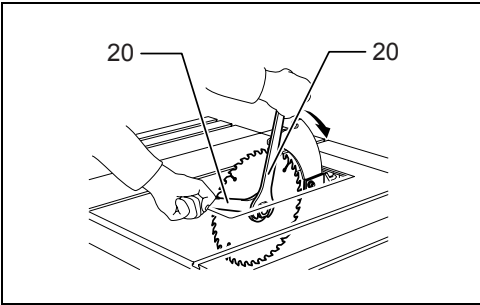
16



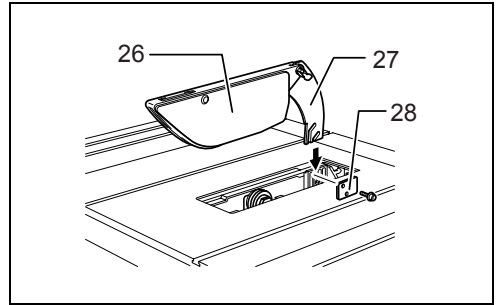
17



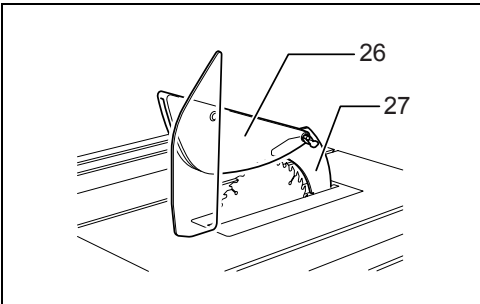
18



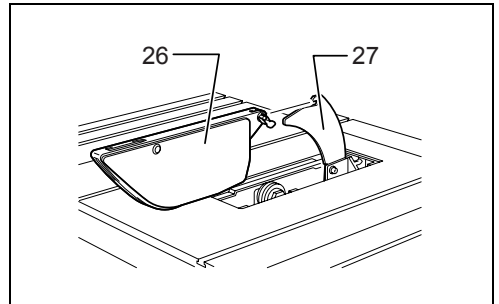
19



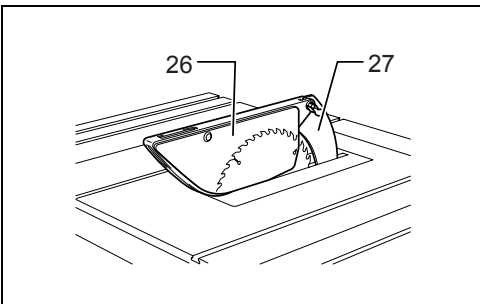
20



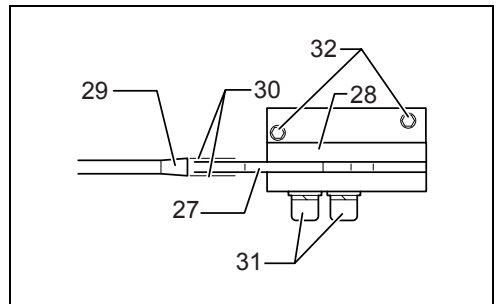
21



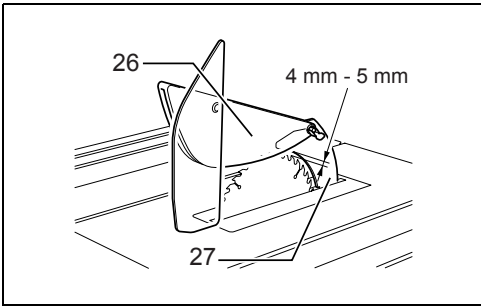
22



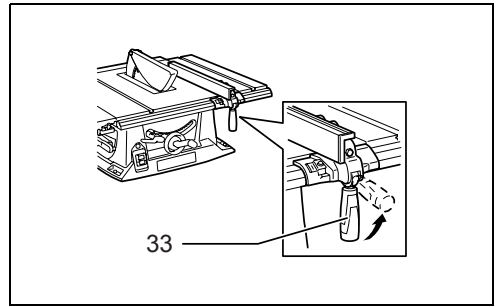
23



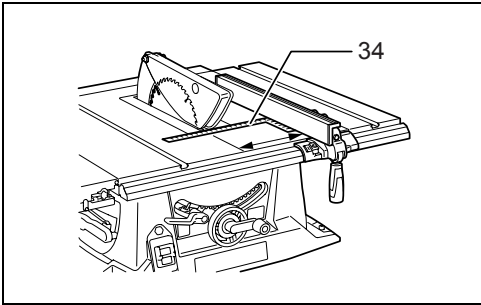
24



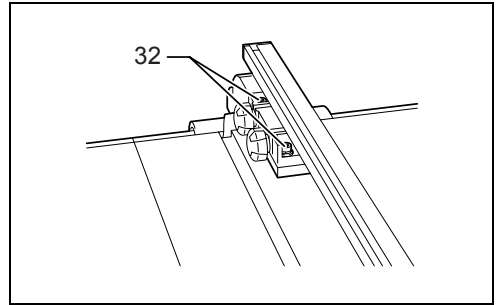
25



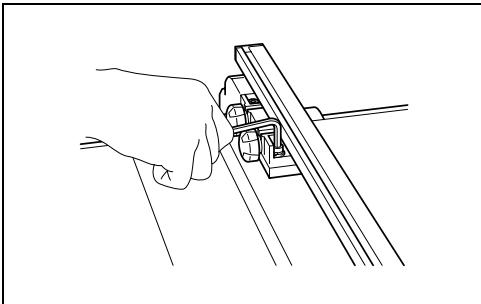
26



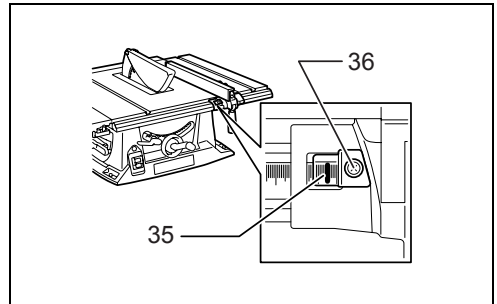
27



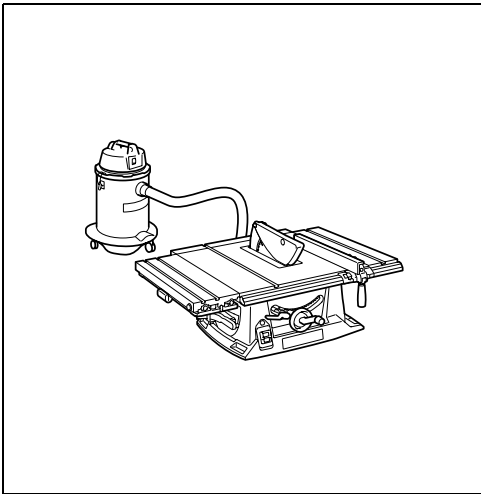
28



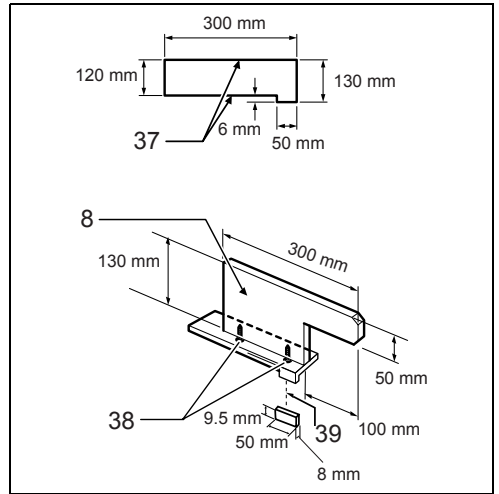
29



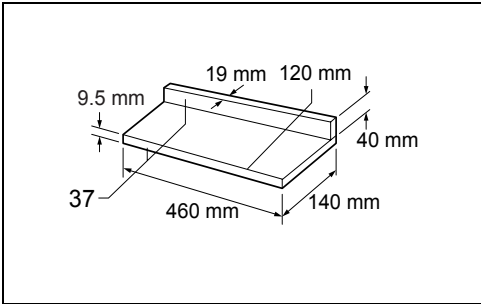
30



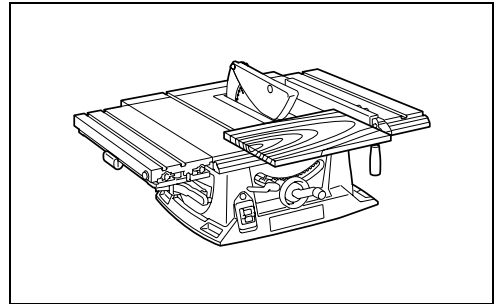
31



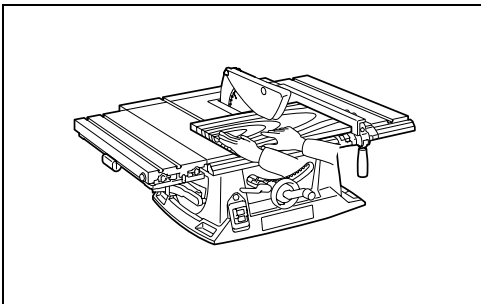
32



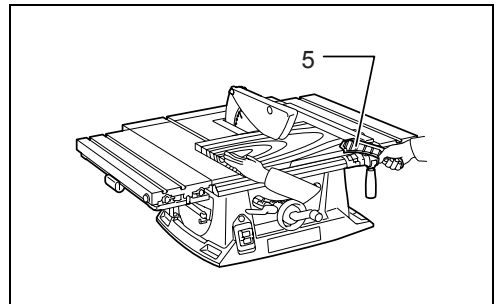
33



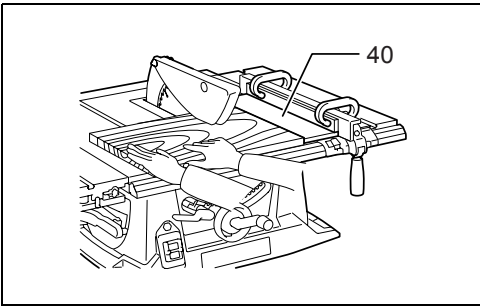
34



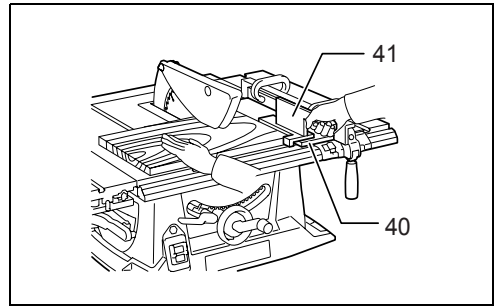
35



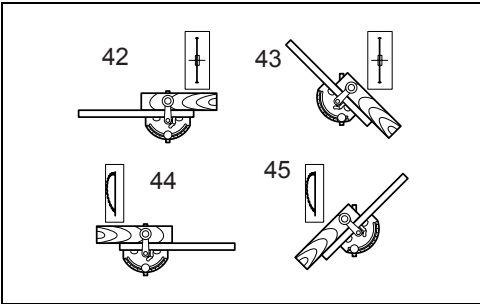
36



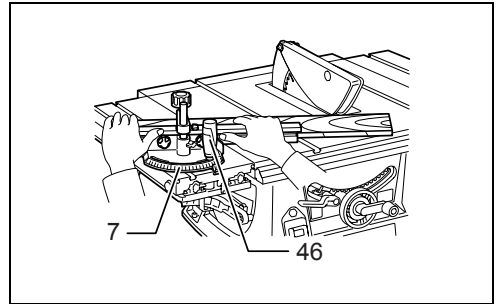
37



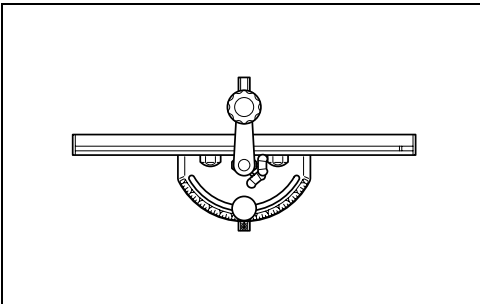
38



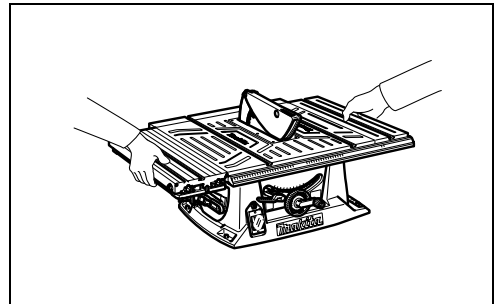
39



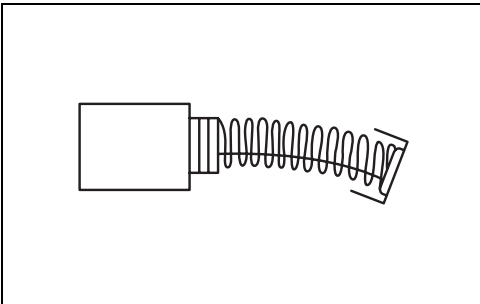
40



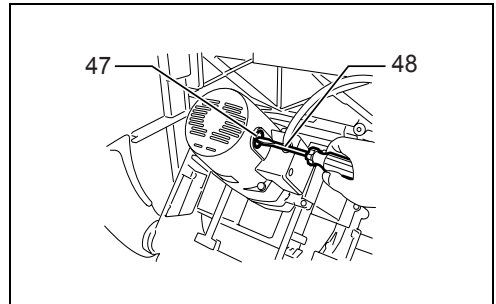
41



42



43



44

ENGLISH (Original Instructions)

Explanation of general view

- | | | |
|--|---|--------------------------------|
| 1. Hole diameter 8 mm | 17. Sub table (back) | 33. Lever |
| 2. 6 mm std. washer | 18. Slide table | 34. Scale |
| 3. No. 10 wood screw 40 mm min. length | 19. Locking plate | 35. Guideline |
| 4. 6 mm Mounting bolt & Nut tighten securely | 20. Wrench | 36. Screw |
| 5. Push stick | 21. Hex nut | 37. Face/edge parallel |
| 6. Rip fence (Guide rule) | 22. Inner flange | 38. Wood screw |
| 7. Miter gauge | 23. Ring | 39. Glue together |
| 8. Handle | 24. Saw blade | 40. Auxiliary fence |
| 9. Arrow pointer | 25. Outer flange | 41. Push block |
| 10. Lock lever | 26. Blade guard | 42. Cross cutting |
| 11. 90° adjusting screw | 27. Riving knife | 43. Mitering |
| 12. 45° adjusting screw | 28. Blade guard mounting portion (stay) | 44. Bevel cutting |
| 13. Switch | 29. Blade | 45. Compound mitering (angles) |
| 14. Restart button | 30. These two clearances should be equal. | 46. Knob |
| 15. Screws | 31. Hex bolts (A) | 47. Brush holder cap |
| 16. Sub table (R) | 32. Hex bolts | 48. Screwdriver |

SPECIFICATIONS

Model	MLT100	
	(for European countries)	(for other than European countries)
Arbor hole	30 mm	25 mm and 25.4 mm
Blade diameter	260 mm	255 mm
Max. cutting capacities	90°	93 mm
	45°	64 mm
No load speed (min ⁻¹)	4,300	
Table size (L x W)	(685 mm - 835 mm) x (955 mm - 1,305 mm) with sub tables (R) and (back)	(685 mm - 835 mm) x (955 mm - 1,305 mm) with sub tables (R) and (back)
Dimensions (L x W x H) with table (s) not extended	726 mm x 984 mm x 333 mm with sub tables (R) and (back)	726 mm x 984 mm x 333 mm with sub tables (R) and (back)
Net weight	34.1 kg	34.1 kg
Safety class	II/II	

- Due to our continuing programme of research and development, the specifications herein are subject to change without notice.
- Specifications may differ from country to country.
- Weight according to EPTA-Procedure 01/2003

Symbols

END215-3

The following show the symbols used for the equipment.

Be sure that you understand their meaning before use.



..... Read instruction manual.



..... DOUBLE INSULATION



..... Wear safety glasses.



..... Do not place hand or fingers close to the blade.

Intended use

ENE003-1

The tool is intended for cutting in wood.

Power supply

ENF002-1

The tool should be connected only to a power supply of the same voltage as indicated on the nameplate, and can only be operated on single-phase AC supply. They are double-insulated in accordance with European Standard and can, therefore, also be used from sockets without earth wire.

General Power Tool Safety Warnings

GEA010-1

⚠ WARNING Read all safety warnings and all instructions. Failure to follow the warnings and instructions may result in electric shock, fire and/or serious injury.

Save all warnings and instructions for future reference.

ADDITIONAL SAFETY RULES FOR TOOL

ENB095-1

SAVE THESE INSTRUCTIONS.

1. Wear eye protection.
2. Do not use the tool in presence of flammable liquids or gases.
3. NEVER use the tool with an abrasive cut-off wheel installed.
4. Check the blade carefully for cracks or damage before operation. Replace cracked or damaged blade immediately.
5. Use only saw blades recommended by the manufacturer and which conform to EN847-1, and observe that the riving knife must not be thicker than the width of the cut by the saw blade and not thinner than the body of the blade.
6. Always use accessories recommended in this manual. Use of improper accessories such as abrasive cut-off wheels may cause an injury.
7. Select the correct saw blade for the material to be cut.
8. Do not use saw blades manufactured from high speed steel.
9. To reduce the emitted noise, always be sure that the blade is sharp and clean.
10. Use correctly sharpened saw blades. Observe the maximum speed marked on the saw blade.
11. Clean the spindle, flanges (especially the installing surface) and hex nut before installing the blade. Poor installation may cause vibration/ wobbling or slippage of the blade.
12. Use saw-blade guard and riving knife for every operation for which it can be used, including all through sawing operations. Always install the blade guard following the instructions out-lined in this manual. Through sawing operations are those in which the blade cuts completely through the workpiece as in ripping or cross cutting. NEVER use the tool with a faulty blade guard or secure the blade guard with a rope, string, etc. Any irregular operation of the blade guard should be corrected immediately.
13. Immediately reattach the guard and riving knife after completing an operation which requires removal of the guard.
14. Do not cut metal objects such as nails and screws. Inspect for and remove all nails, screws and other foreign material from the workpiece before operation.
15. Remove wrenches, cut-off pieces, etc. from the table before the switch is turned on.
16. NEVER wear gloves during operation.
17. Keep hands out of the line of the saw blade.
18. NEVER stand or permit anyone else to stand in line with the path of the saw blade.
19. Make sure the blade is not contacting the riving knife or workpiece before the switch is turned on.
20. Before using the tool on an actual workpiece, let it run for a while. Watch for vibration or wobbling that could indicate poor installation or a poorly balanced blade.
21. The tool should not be used for slotting, rabbetting or grooving.
22. Replace table insert when worn.
23. NEVER make any adjustments while tool is running. Disconnect tool before making any adjustments.
24. Use a push stick when required. Push sticks MUST be used for ripping narrow workpieces to keep your hands and fingers well away from the blade.
25. Always store the push-stick when it is not in use.
26. Pay particular attention to instructions for reducing risk of KICKBACK. KICKBACK is a sudden reaction to a pinched, bound or misaligned saw blade. KICKBACK causes the ejection of the workpiece from the tool back towards the operator. KICKBACKS CAN LEAD TO SERIOUS PERSONAL INJURY. Avoid KICKBACKS by keeping the blade sharp, by keeping the rip fence parallel to the blade, by keeping the riving knife and blade guard in place and operating properly, by not releasing the workpiece until you have pushed it all the way past the blade, and by not ripping a workpiece that is twisted or warped or does not have a straight edge to guide along the fence.
27. Do not perform any operation freehand. Freehand means using your hands to support or guide the workpiece, in lieu of a rip fence or miter gauge.
28. NEVER reach around or over saw blade. NEVER reach for a workpiece until the saw blade has completely stopped.
29. Avoid abrupt, fast feeding. Feed as slowly as possible when cutting hard workpieces. Do not bend or twist workpiece while feeding. If you stall or jam the blade in the workpiece, turn the tool off immediately. Unplug the tool. Then clear the jam.
30. NEVER remove cut-off pieces near the blade or touch the blade guard while the blade is running.
31. Knock out any loose knots from workpiece BEFORE beginning to cut.
32. Do not abuse cord. Never yank cord to disconnect it from the receptacle. Keep cord away from heat, oil, water and sharp edges.
33. Some dust created from operation contains chemicals known to cause cancer, birth defects or other reproductive harm. Some examples of these chemicals are:
 - lead from lead-based-painted material and,
 - arsenic and chromium from chemically-treated lumber.
 - Your risk from these exposures varies, depending on how often you do this type of work. To reduce your exposure to these chemicals: work in a well ventilated area and work with approved safety equipment, such as those dust masks that are specially designed to filter out microscopic particles.
34. Connect the tool to a dust collecting device when sawing.

35. **The guard can be lifted during workpiece setup and for ease of cleaning. Always make sure that guard hood is down and flat against sawtable before plugging in the tool.**

SAVE THESE INSTRUCTIONS.

INSTALLATION

Positioning table saw (Fig. 1 - 3)

Locate the table saw in a well lit and level area where you can maintain good footing and balance. It should be installed in an area that leaves enough room to easily handle the size of your workpieces. The table saw should be secured with four screws or bolts to the work bench or table saw stand using the holes provided in the bottom of the table saw. When securing the table saw on the work bench, make sure that there is an opening in the top of the work bench the same size as the opening in the bottom of the table saw so the sawdust can drop through.

If during operation there is any tendency for the table saw to tip over, slide or move, the work bench or table saw stand should be secured to the floor.

Storing accessories (Fig. 4 & 5)

Push stick, Triangular rule, blade and wrenches can be stored on the left side of the base and the rip fence and miter gauge can be stored at the right side of the base.

FUNCTIONAL DESCRIPTION

CAUTION:

- Always be sure that the tool is switched off and unplugged before adjusting or checking function on the tool.

Adjusting the depth of cut (Fig. 6)

The depth of cut may be adjusted by turning the handle. Turn the handle clockwise to raise the blade or counterclockwise to lower it.

NOTE:

- Use a shallow depth setting when cutting thin materials in order to obtain a cleaner cut.

Adjusting the bevel angle (Fig. 7)

Loosen the lock lever counterclockwise and turn the handwheel until the desired angle (0° - 45°) is obtained. The bevel angle is indicated by the arrow pointer. After obtaining the desired angle, tighten the lock lever clockwise to secure the adjustment.

CAUTION:

- After adjusting the bevel angle, be sure to tighten the lock lever securely.

Adjusting positive stops (Fig. 8 & 9)

The tool is equipped with positive stops at 90° and 45° to the table surface. To check and adjust the positive stops, proceed as follows:

Move the handwheel as far as possible by turning it. Place a triangular rule on the table and check to see if the blade is at 90° or 45° to the table surface. If the blade is at an angle shown in Fig. A, turn the adjusting screws clockwise; if it is at an angle shown in Fig. B, turn the

adjusting screws counterclockwise to adjust the positive stops.

After adjusting the positive stops, set the blade at 90° to the table surface. Then adjust the arrow pointer so that its right edge is aligned to the 0° graduation. (Fig. 10)

Switch action

CAUTION:

- Remove workpiece from the table.
- Switch off the tool and then press in the restart button.
- Before plugging in the tool, always be sure that the tool is switched off.

For tool with button type switch (Fig. 11)

To start the tool, press the ON (I) button.

To stop it, press the OFF (O) button.

For tool with lever type switch (Fig. 12)

To start the tool, raise the switch lever. To stop it, lower the switch lever.

Sub table (R) (Fig. 13 & 14)

This tool is provided with the sub table (R) on the right side of the main table. To use the sub table (R), loosen two screws on the right side counterclockwise, pull out the table (R) fully and then tighten the two screws to secure it.

Sub table (back) (Fig. 15)

To use the sub table (back), loosen the screws on the left and right hand sides under the table and pull it out backwards to the desired length. At the desired length, tighten the screw securely.

Slide table (Fig. 16)

CAUTION:

- After using slide table, be sure to lock it by moving the locking plate to the vertical position.

This tool is provided with the slide table on the left side.

The slide table slides back and forth. Pivot the locking plates on the back and front sides to the horizontal position before using it.

Hold workpiece firmly with the miter gauge using a clamp on the miter gauge and slide the workpiece together with the slide table at the time of cutting operation.

ASSEMBLY

CAUTION:

- Always be sure that the tool is switched off and unplugged before carrying out any work on the tool.

The tool is shipped from the factory with the saw blade and blade guard not in the installed condition. Assemble as follows:

Installing or removing saw blade

CAUTION:

- Always be sure that the tool is switched off and unplugged before installing or removing the blade.
- Use only the Makita socket wrench provided to install or remove the blade. Failure to do so may result in over tightening or insufficient tightening of the hex bolt. This could cause an injury.

- Use the following saw blade. Do not use saw blades which do not comply with the characteristics specified in these instructions.

For Model	Max. dia.	Min. dia.	Blade thickness	Kerf
MLT100	260 mm	230 mm	1.8 mm or less	2 mm or more

CAUTION:

- Check the arbor hole diameter of the blade before installing the blade. Always use the correct ring for the arbor hole of the blade you intend to use. **(Fig. 17)**

Remove the table insert on the table. Hold the outer flange with the wrench and loosen the hex nut counterclockwise with the wrench. Then remove the outer flange. **(Fig. 18)**

Assemble the inner flange, ring, saw blade, outer flange and hex nut onto the arbor, making sure that the teeth of the blade are pointing down at the front of the table. Always install the hex nut with its recessed side facing the outer flange.

For all countries other than European countries

CAUTION:

- The ring 25.4 mm in outer diameter is factory-installed onto the spindle.

For European countries

CAUTION:

- The ring 30 mm in outer diameter is factory-installed between the inner and outer flanges.
- Keep the flange surface clean of dirt or other adhering matter; it could cause blade slippage. Be sure that the blade is installed so that the teeth are aligned in the cutting (turning) direction.

To secure the blade in place, hold the outer flange with the offset wrench, then tighten the hex nut clockwise with the wrench. **BE SURE TO TIGHTEN THE HEX NUT SECURELY. (Fig. 19)**

CAUTION:

- Be sure to hold the hex nut carefully with the wrench. If your grip should slip, the wrench may come off the hex nut, and your hand could strike the sharp blade edges.

Installing blade guard (Fig. 20 & 21)

CAUTION:

- Before installing the blade guard, adjust the depth of cut to its maximum elevation.

For non-European type blade guard

Remove the center cover. Insert the riving knife into the blade guard mounting portion (stay). Tighten the hex bolts (A) with the provided wrench.

For European type blade guard (Fig. 22 & 23)

Remove the center cover. Insert the riving knife into the blade guard mounting portion (stay). Tighten the hex bolts (A) with the provided wrench. Place the blade guard into the groove on the riving knife. Secure the blade guard by pivoting the lever on the blade guard.

For both European and non-European type blade guards

The riving knife installing location is factory-adjusted so that the blade and riving knife will be in a straight line. However, if they are not in a straight line, loosen the hex bolts (B) and adjust the blade guard mounting portion (stay) so that the riving knife is aligned directly behind the blade. Then tighten the hex bolts (B) to secure the stay. **(Fig. 24)**

CAUTION:

- If the blade and riving knife are not aligned properly, a dangerous pinching condition may result during operation. Make sure they are properly aligned. You could suffer serious personal injury while using the tool without a properly aligned riving knife.
- NEVER make any adjustments while tool is running. Disconnect the tool before making any adjustments.
- Don't remove the riving knife. **(Fig. 25)**

There must be a clearance of about 4 - 5 mm between the riving knife and the blade teeth. Loosen the hex bolts (A) and adjust the riving knife accordingly and tighten the hex bolts (A) securely. Attach the table insert on the table, then check to see that the blade guard works smoothly before cutting.

Installing and adjusting rip fence (Fig. 26)

Install the rip fence so that the fence holder engages with the nearest guide rail.

To secure the rip fence, pivot fully the lever on the fence holder.

To check to be sure that the rip fence is parallel with the blade, secure the rip fence 2 -3 mm from the blade. Raise the blade up to maximum elevation. Mark one of the blade teeth with a crayon. Measure the distance (A) and (B) between the rip fence and blade. Take both measurements using the tooth marked with the crayon. These two measurements should be identical. If the rip fence is not parallel with the blade, proceed as follows: **(Fig. 27 & 28)**

1. Secure the rip fence by lowering the lever on it.
2. Loosen the two hex bolts on the rip fence with the hex wrench provided.
3. Adjust the rip fence until it becomes parallel with the blade.
4. Tighten the two hex bolts on the rip fence. **(Fig. 29)**

CAUTION:

- Be sure to adjust the rip fence so that it is parallel with the blade, or a dangerous kickback condition may occur.

Bring the rip fence up flush against the side of the blade. Make sure that the guideline on the fence holder points to the 0 graduation. If the guideline does not point to the 0 graduation, loosen the screw on the scale plate and adjust the scale plate. **(Fig. 30)**

Connecting to vacuum cleaner (Fig. 31)

Cleaner operations can be performed by connecting the tool to Makita vacuum cleaner or dust collector.

OPERATION

CAUTION:

- Always use “work helpers” such as push sticks and push blocks when there is a danger that your hands or fingers will come close to the blade.
- Always hold the workpiece firmly with the table and the rip fence or miter gauge. Do not bend or twist it while feeding. If the workpiece is bent or twisted, dangerous kickbacks may occur.
- NEVER withdraw the workpiece while the blade is running. If you must withdraw the workpiece before completing a cut, first switch the tool off while holding the workpiece firmly. Wait until the blade has come to a complete stop before withdrawing the workpiece. Failure to do so may cause dangerous kickbacks.
- NEVER remove cut-off material while the blade is running.
- NEVER place your hands or fingers in the path of the saw blade. Be especially careful with bevel cuts.
- Always secure the rip fence firmly, or dangerous kickbacks may occur.
- Always use “work helpers” such as push sticks and push blocks when cutting small or narrow workpieces.

Work helpers

Push sticks, push blocks or auxiliary fence are types of “work helpers”. Use them to make safe, sure cuts without the need for the operator to contact the blade with any part of the body.

Push block (Fig. 32)

Use a 19 mm piece of plywood.

Handle should be in center of plywood piece. Fasten with glue and wood screws as shown. Small piece 9.5 mm x 8 mm x 50 mm of wood must always be glued to plywood to keep the blade from dulling if the operator cuts into push block by mistake. (Never use nails in push block.)

Auxiliary fence (Fig. 33)

Make auxiliary fence from 9.5 mm and 19 mm plywood pieces.

Ripping

CAUTION:

- When ripping, remove the miter gauge from the table.
 - When cutting long or large workpieces, always provide adequate support behind the table. DO NOT allow a long board to move or shift on the table. This will cause the blade to bind and increase the possibility of kickback and personal injury. The support should be at the same height as the table.
1. Adjust the depth of cut a bit higher than the thickness of the workpiece. (Fig. 34)
 2. Position the rip fence to the desired width of rip and lock in place by pivoting the grip.
 3. Turn the tool on and gently feed the workpiece into the blade along with the rip fence.
 - (1) When the width of rip is 150 mm and wider, carefully use your right hand to feed the workpiece. Use your left hand to hold the workpiece in position against the rip fence. (Fig. 35)

- (2) When the width of rip is 65 mm - 150 mm wide, use the push stick to feed the workpiece. (Fig. 36)
- (3) When the width of rip is narrower than 65 mm, the push stick cannot be used because the push stick will strike the blade guard. Use the auxiliary fence and push block. Attach the auxiliary fence to the rip fence with two “C” clamps. (Fig. 37)

Feed the workpiece by hand until the end is about 25 mm from the front edge of the table. Continue to feed using the push block on the top of the auxiliary fence until the cut is complete. (Fig. 38)

Cross cutting

CAUTION:

- When making a crosscut, remove the rip fence from the table.
- When cutting long or large workpieces, always provide adequate support to the sides of the table. The support should be at the same height as the table.
- Always keep hands away from path of blade.

Miter gauge (Fig. 39)

Use the miter gauge for the 4 types of cutting shown in the figure.

CAUTION:

- Secure the knob on the miter gauge carefully.
- Avoid creep of workpiece and gauge by firm workholding arrangement, especially when cutting at an angle.
- NEVER hold or grasp the intended “cut-off” portion of the workpiece.
- Always adjust the distance between the end of the miter gauge and the saw blade not to exceed 15 mm.

Use of miter gauge (Fig. 40)

Slide the miter gauge into the thick grooves in the table. Loosen the knob on the gauge and align to desired angle (0° to 60°). Bring stock flush up against fence and slide table, secure it with the clamp on the miter gauge and feed gently forward into the blade.

Auxiliary wood facing (miter gauge)

(Fig. 41)

To prevent a long board from wobbling, fit the miter gauge with an auxiliary fence board. Fasten with bolts/nuts after drilling holes, but fasteners must not protrude from the face board.

Carrying tool (Fig. 42)

Make sure that the tool is unplugged.

Carry the tool by holding the tool part shown in the figure.

CAUTION:

- Always secure all moving portions before carrying the tool.
- Always make sure that the blade guard is installed in place before the carrying the tool.

MAINTENANCE

CAUTION:

- Always be sure that the tool is switched off and unplugged before attempting to perform inspection or maintenance.

NOTICE:

- Never use gasoline, benzine, thinner, alcohol or the like. Discoloration, deformation or cracks may result.

Cleaning

Clean out sawdust and chips from time to time. Carefully clean the blade guard and moving parts inside the table saw.

Lubrication

To keep the table saw in tip-top running condition, and to assure maximum service life, oil or grease the moving parts and rotating parts from time to time.

Lubrication places:

- Threaded shaft to elevate the blade
- Hinge to rotate the frame
- Elevation guide shafts on motor
- Gear to elevate the blade

Replacing carbon brushes (Fig. 43)

Remove and check the carbon brushes regularly. Replace when they wear down to 3 mm in length. Keep the carbon brushes clean and free to slip in the holders. Both carbon brushes should be replaced at the same time. Use only identical carbon brushes. (Fig. 44)

Use a screwdriver to remove the brush holder caps. To replace the carbon brushes, remove the blade guard and blade and then loosen the lock lever, tilt the saw head and secure it at 45° bevel angle. Carefully lay the tool on itself backward. Then loosen the brush holder cap. Remove the worn carbon brushes, insert the new ones and secure the brush holder caps.

To maintain product SAFETY and RELIABILITY, repairs, any other maintenance or adjustment should be performed by Makita Authorized Service Centers, always using Makita replacement parts.

ACCESSORIES

CAUTION:

- These accessories or attachments are recommended for use with your Makita tool specified in this manual. The use of any other accessories or attachments might present a risk of injury to persons. Only use accessory or attachment for its stated purpose.

If you need any assistance for more details regarding these accessories, ask your local Makita Service Center.

- Rip fence
- Miter gauge
- Wrench 24
- Hex wrench 5
- Joint (for connecting to dust collector)
- Stand set

Noise

ENG905-1

The typical A-weighted noise level determined according to EN61029:

Sound pressure level (L_{pA}): 92 dB (A)

Sound power level (L_{WA}): 105 dB (A)

Uncertainty (K): 3 dB (A)

Wear ear protection.

For European countries only

EC Declaration of Conformity

We Makita Corporation as the responsible manufacturer declare that the following Makita machine(s):

Designation of Machine:

Table Saw

Model No./ Type: MLT100

are of series production and

Conforms to the following European Directives:

2006/42/EC

And are manufactured in accordance with the following standards or standardised documents:

EN61029

The EC Type-Examination Certificate No.BM 50170011 0001, BM 50170011 0002

The EC Type-Examination was performed by:

TÜV RHEINLAND Product safety GmbH Am Grauen Stein 51105

Köln, Germany

Identification No. 0197

The technical documentation is kept by our authorised representative in Europe who is:

Makita International Europe Ltd.,

Michigan Drive, Tongwell,

Milton Keynes, Bucks MK15 8JD, England

15. 12. 2009



Tomoyasu Kato

Director

Makita Corporation

3-11-8, Sumiyoshi-cho,

Anjo, Aichi, 446-8502, JAPAN

ENH022-3

FRANÇAIS (Instructions d'origine)

Descriptif

- | | | |
|--|---|------------------------------|
| 1. Diamètre de l'orifice 8 mm | 16. Table auxiliaire (R) | 33. Levier |
| 2. Rondelle ordinaire de 6 mm | 17. Table auxiliaire (dos) | 34. Secteur |
| 3. Vis à bois n°10 de 40 mm de longueur min. | 18. Table coulissante | 35. Guide |
| 4. Boulon de montage et écrou de 6 mm fermement serrés | 19. Plaque de blocage | 36. Vis |
| 5. Bâton-poussoir | 20. Clé | 37. Face/bord parallèle |
| 6. Garde parallèle (règle de guidage) | 21. Écrou hexagonal | 38. Vis à bois |
| 7. Guide d'onglet | 22. Flasque intérieure | 39. Coller ensemble |
| 8. Poignée | 23. Bague | 40. Garde auxiliaire |
| 9. Pointeur flèche | 24. Lame de scie | 41. Bloc-poussoir |
| 10. Bouton de sécurité | 25. Flasque extérieure | 42. Coupe en travers |
| 11. Vis de réglage 90° | 26. Protège-lame | 43. Onglet |
| 12. Vis de réglage 45° | 27. Couteau diviseur | 44. Coupe en biseau |
| 13. Interrupteur | 28. Portion de montage du protège-lame (entretoise) | 45. Onglet mixte (angles) |
| 14. Bouton de remise en marche | 29. Lame | 46. Bouton |
| 15. Vis | 30. Ces deux jeux doivent être égaux. | 47. Bouchon de porte-charbon |
| | 31. Boulon hexagonal (A) | 48. Tournevis |
| | 32. Boulons hexagonaux | |

SPÉCIFICATIONS

Modèle	MLT100	
	(Pour l'Europe uniquement)	(Autres pays que l'Europe)
Trou d'arbre	30 mm	25 et 25,4 mm
Diamètre de la lame	260 mm	255 mm
Capacité de coupe max.	90°	93 mm
	45°	64 mm
Vitesse à vide (min ⁻¹)	4 300	
Dimensions de la table (L x l)	(685 mm - 835 mm) x (955 mm - 1 305 mm) avec les tables auxiliaires (R) et (l'arrière)	(685 mm - 835 mm) x (955 mm - 1 305 mm) avec les tables auxiliaires (R) et (l'arrière)
Dimensions (L x l x H) avec la ou les table(s) non étendue(s)	726 mm x 984 mm) x 333 mm avec les tables auxiliaires (R) et (l'arrière)	726 mm x 984 mm) x 333 mm avec les tables auxiliaires (R) et (l'arrière)
Poids net	34,1 kg	34,1 kg
Niveau de sécurité	II/II	

- Étant donné l'évolution constante de notre programme de recherche et de développement, les spécifications contenues dans ce manuel sont sujettes à des modifications sans préavis.
- Les spécifications peuvent varier suivant les pays.
- Poids conforme à la procédure EPTA 01/2003

Symboles

Les symboles utilisés pour l'outil sont indiqués ci-dessous. Assurez-vous d'avoir bien compris leur signification avant d'utiliser l'outil.



..... N'approchez pas la main ou les doigts de la lame.

Utilisations

L'outil est conçu pour couper du bois.

Alimentation

L'outil ne doit être raccordé qu'à une alimentation de la même tension que celle qui figure sur la plaque signalétique, et il ne peut fonctionner que sur un courant secteur monophasé. Réalisé avec une double isolation, il est conforme à la réglementation européenne et peut de ce fait être alimenté sans mise à la terre.



..... Reportez-vous au manuel d'instructions.



..... DOUBLE ISOLATION



..... Portez des lunettes de sécurité.

Consignes de sécurité générales des outils électriques

GEA010-1

⚠ AVERTISSEMENT Veuillez lire toutes les consignes de sécurité et les instructions. Il y a un risque de choc électrique, d'incendie et/ou de blessure grave si les consignes et les instructions ne sont pas toutes respectées.

Conservez toutes les consignes et instructions pour référence ultérieure.

CONSIGNES DE SÉCURITÉ ADDITIONNELLES POUR L'OUTIL

ENB095-1

CONSERVEZ CES INSTRUCTIONS.

1. Portez des lunettes de protection.
2. N'utilisez pas l'outil en présence de gaz ou liquides inflammables.
3. N'utilisez JAMAIS l'outil sans y avoir installé une meule à tronçonner abrasive.
4. Avant de commencer votre travail, vérifiez soigneusement l'absence de fissures ou de dommages sur la lame. Remplacez immédiatement toute lame fissurée ou endommagée.
5. N'utilisez que des lames de scie recommandées par le fabricant et conformes à la norme EN847-1, et observez que le couteau diviseur ne doit pas être plus épais que la largeur de la coupe par la lame de scie et pas plus mince que le corps de la lame.
6. Utilisez toujours les accessoires spécifiés dans ce manuel. L'utilisation d'accessoires inadéquats, tels que des meules à tronçonner abrasives, peut causer une blessure.
7. Sélectionnez les lames de scie correctes en fonction du type de matériau à couper.
8. N'utilisez pas les lames de scie en acier haute vitesse.
9. Pour réduire l'émission de bruit, assurez-vous que la lame est bien aiguisée et propre.
10. Utilisez des lames bien aiguisées. Respectez la vitesse maximale indiquée sur la lame.
11. Nettoyez l'axe, les flasques (tout particulièrement la surface d'installation) ou l'écrou hexagonal avant de monter la lame. Une mauvaise installation peut entraîner des vibrations/sautillements ou le glissement de la lame.
12. Utilisez le protège-lame et le couteau diviseur pour chaque usage y compris lors des opérations de sciage. Suivez toujours les instructions mentionnées dans ce manuel pour installer le protège-lame. Les opérations de sciage sont celles où la lame traverse complètement la pièce lors par exemple des coupes en long et en travers. N'utilisez JAMAIS l'outil avec un protège-lame défectueux ou sécurisez-le secure avec une

- corde, ficelle, etc. Tout fonctionnement irrégulier du protège-lame doit être corrigé immédiatement.
13. Après un travail qui a nécessité le retrait du protège-lame remontez-le immédiatement ainsi que le couteau diviseur.
 14. Évitez de couper des pièces de métal telles que les clous et vis. Avant de procéder au travail, vérifiez la pièce pour en retirer les clous, vis et autres corps étrangers.
 15. Avant de mettre le contact, retirez de la table les clés, bouts de pièce sciés et autres objets etc
 16. Ne portez JAMAIS de gants pendant l'utilisation de cet outil.
 17. Gardez les mains hors de la ligne de coupe de la lame.
 18. Ne vous placez JAMAIS dans la trajectoire de la lame et assurez-vous que personne ne s'y trouve.
 19. Assurez-vous que la lame ne touche pas le couteau diviseur ou la pièce à travailler avant de mettre le contact.
 20. Avant d'utiliser l'outil sur la pièce elle-même, laissez-le tourner un instant. Soyez attentif à toute vibration ou sautillement pouvant indiquer que la lame n'est pas bien installée ou qu'elle est mal équilibrée.
 21. Il ne faut pas utiliser l'outil pour le mortaisage, rabotage ou le rainurage.
 22. Remplacez l'insert de la table lorsqu'il est usé.
 23. N'effectuez JAMAIS de réglages pendant que l'outil tourne. Débranchez l'outil avant d'effectuer des réglages.
 24. Lorsque nécessaire, utilisez un bâton-poussoir. Vous DEVEZ utiliser un bâton-poussoir pour scier en long des pièces minces, de sorte que vous mains et doigts demeurent à l'écart de la lame.
 25. Quand vous n'utilisez pas le bâton-poussoir rangez-le.
 26. Prêtez une attention particulière aux instructions relatives à la réduction des risques de CHOC EN RETOUR. Le CHOC EN RETOUR est une réaction soudaine de l'outil provoquée par le coincement, le pincement ou le désalignement de la lame. Lors d'un CHOC EN RETOUR la pièce se trouve projetée vers l'utilisateur par l'outil. LES CHOC EN RETOUR COMPORTENT UN RISQUE DE BLESSURE CORPORELLE GRAVE. Évitez les CHOC EN RETOUR en maintenant la lame bien affûtée, le garde en position parallèle à la lame, le couteau diviseur et le protège-lame en place et en bon état de fonctionnement, en évitant de relâcher la pièce avant de l'avoir faite progresser complètement derrière la lame, et en évitant de scier en long dans une pièce tordue, déformée ou dont les bords inégaux ne permettent pas l'utilisation du guide.
 27. Ne sciez jamais à la volée. Le sciage à la volée consiste à utiliser les mains au lieu d'un garde parallèle ou d'un guide d'onglet pour soutenir ou guider la pièce.
 28. N'approchez JAMAIS autour ou au-dessus de la lame. NE JAMAIS passer la main près de la lame pour saisir une pièce avant que la lame ne soit complètement arrêtée.

29. **Évitez de faire avancer l'outil de manière brusque ou rapide. Faites-le avancer le plus lentement possible lorsque vous sciez des pièces dures. Évitez de plier ou tordre la pièce pendant la progression de l'outil. Coupez immédiatement le contact de l'outil si la lame se bloque ou se coince dans la pièce. Débranchez l'outil. Dégagez la lame**
30. **NE JAMAIS retirer les bouts de pièce coupés ni toucher le protège-lame pendant qu'elle tourne**
31. **AVANT de commencer la coupe, arrachez tous les noeuds lâches non adhérents de la pièce.**
32. **Ne maltraitez pas le cordon. Ne tirez jamais directement sur le cordon pour le débrancher de la prise de courant. Maintenez le cordon à l'écart de la chaleur, de l'huile et des objets à bord tranchant.**
33. **Certaines poussières générées lors de l'utilisation peuvent contenir des produits chimiques pouvant causer le cancer, des anomalies congénitales ou autres problèmes de reproduction. Parmi ces produits chimiques figurent notamment :**
 - **le plomb des matériaux recouverts de peinture à base de plomb, ainsi que,**
 - **l'arsenic et le chrome du bois traité chimiquement.**
 - **Les risques entraînés par l'exposition à ces produits varient suivant la fréquence d'exécution de ce type de travaux. Pour réduire votre exposition à ces produits chimiques : travaillez dans une zone bien ventilée et avec l'équipement de sécurité approuvé, tel que les masques à poussière spécialement conçus pour filtrer les particules microscopiques.**
34. **Lorsque vous sciez raccordez la scie à un appareil de collecte des poussières.**
35. **Vous pouvez soulever le protège-lame pendant la mise en place de la pièce à travailler et pour faciliter le nettoyage. Assurez-vous toujours que le capot du protège-lame est abaissé et se trouve à plat contre la table à scier avant de brancher l'outil.**

CONSERVEZ CES INSTRUCTIONS.

INSTALLATION

Placement de la scie circulaire (Fig. 1 - 3)

Placez la scie circulaire à table dans un emplacement bien éclairé et de niveau, où vous pourrez maintenir une position stable et équilibrée. Elle doit être installée dans un emplacement fournissant l'espace nécessaire à la facilité des manipulations suivant la taille des pièces à travailler. La scie circulaire à table doit être fixée à l'établi ou au support de scie circulaire à table au moyen de quatre vis ou boulons, en utilisant les orifices prévus à cet effet au bas de la scie circulaire. Si vous installez la scie circulaire à table sur un établi, assurez-vous que ce dernier comporte une ouverture sur le dessus et que cette ouverture est de taille identique à celle se trouvant sur la face inférieure de la scie circulaire à table, de sorte que la sciure de bois puisse s'y échapper.

Il faudra fixer l'établi ou le support de scie circulaire à table au plancher si, pendant la coupe, la scie circulaire à table a tendance à basculer, glisser ou bouger.

Rangement des accessoires (Fig. 4 et 5)

Le bâton-poussoir, la règle triangulaire, la lame et les clés se rangent du côté gauche de la base, tandis que le couteau diviseur et le guide d'onglet se range du côté droit.

DESCRIPTION DU FONCTIONNEMENT

ATTENTION :

- Assurez-vous toujours que l'outil est éteint et débranché avant de l'ajuster ou de vérifier son fonctionnement.

Réglage de la profondeur de coupe (Fig. 6)

Le réglage de la profondeur de coupe s'effectue en tournant la poignée. Tournez la poignée dans le sens des aiguilles d'une montre pour élever la lame, et en sens inverse pour l'abaisser.

REMARQUE :

- Réglez-la sur une faible profondeur lorsque vous coupez des matériaux minces, afin d'obtenir une coupe plus nette.

Réglage de l'angle de coupe en biseau (Fig. 7)

Desserrez le levier de verrouillage en le tournant dans le sens inverse des aiguilles d'une montre et tournez le volant de commande jusqu'à l'angle désiré (0° - 45°). L'angle de coupe en biseau est indiqué par le pointeur flèche.

Une fois l'angle désiré obtenu, serrez le levier de verrouillage en le tournant dans le sens des aiguilles d'une montre pour conserver ce réglage.

ATTENTION :

- Une fois l'angle de coupe en biseau réglé, n'oubliez pas de serrer fermement le levier de verrouillage.

Réglage des butées fixes (Fig. 8 et 9)

L'outil est équipé de butées fixes sur les positions correspondant à 90° et 45° sur la surface de la table. Pour vérifier et régler les butées fixes, procédez comme suit : Déplacez le volant de commande le plus loin possible en le tournant. Placez une règle triangulaire sur la table et vérifiez que la lame se trouve à un angle de 90° ou 45° par rapport à la surface de la table. Si la lame se trouve sur un angle indiqué sur la Fig. A, tournez les vis de réglage dans le sens des aiguilles d'une montre ; si elle se trouve sur un angle indiqué sur la Fig. B, tournez-les dans le sens inverse pour régler les butées fixes.

Une fois les butées fixées réglées, réglez la lame sur un angle de 90° par rapport à la surface de la table. Réglez ensuite la pointe de la flèche de sorte que son bord de droite soit aligné sur la valeur de graduation 0°. (Fig. 10)

Interrupteur

ATTENTION :

- Enlevez la pièce à travailler de la table.
- Éteignez l'outil, puis appuyez sur le bouton de redémarrage.
- Avant de brancher l'outil, assurez-vous toujours qu'il est hors tension.

Pour l'outil muni d'un interrupteur de type à bouton (Fig. 11)

Pour démarrer l'outil, appuyez sur le bouton ON (MARCHE) (I).

Pour l'arrêter, appuyez sur le bouton OFF (ARRÊT) (O).

Pour l'outil muni d'un interrupteur de type à levier (Fig. 12)

Pour mettre l'outil en marche, levez le levier de l'interrupteur. Pour l'arrêter, abaissez le levier.

Table auxiliaire (R) (Fig. 13 et 14)

Cet outil est équipé d'une table auxiliaire (R) située du côté droit de la table principale. Pour utiliser la table auxiliaire (R), desserrez les deux vis à l'avant du côté droit en sens contraire des aiguilles d'une montre, tirez la table (R) pour la sortir complètement, puis vissez les deux vis pour l'immobiliser.

Table auxiliaire (arrière) (Fig. 15)

Pour utiliser la table auxiliaire (arrière), desserrer les vis sur les côtés gauche et droit sous la table et tirez-la vers l'arrière. à la longueur désirée ensuite serrez fermement les vis en place.

Table coulissante (Fig. 16)

ATTENTION :

- Après avoir utilisé la table coulissante, assurez-vous de la verrouiller en déplaçant la plaque de blocage en position verticale.

L'outil est fourni avec la table coulissante sur le côté gauche.

La table coulissante coulisse en un mouvement de va-et-vient. Pivotez les plaques de blocage sur les côtés avant et arrière en position horizontale avant de l'utiliser.

Maintenez la pièce de travail fermement avec le guide d'onglet en utilisant une bride sur le guide et coulissez la pièce de travail avec la table coulissante au moment de l'opération de coupe.

ASSEMBLAGE

ATTENTION :

- Avant d'effectuer toute intervention sur l'outil, assurez-vous toujours qu'il est éteint et débranché.

À sa sortie d'usine, la lame et le protège-lame ne sont pas installés sur l'outil Assemblez comme suit :

Installation et retrait de la lame

ATTENTION :

- Assurez-vous toujours que l'outil est hors tension et débranché avant d'installer ou de retirer la lame.
- Utilisez exclusivement la clé Makita à douille fournie pour installer ou retirer la lame. Autrement vous risquez d'effectuer un serrage excessif ou insuffisant du boulon hexagonal. Cela comporte un risque de blessure.

- Utilisez la lame de scie suivante. N'utilisez pas des lames de scie qui ne sont pas conformes aux caractéristiques spécifiées dans ces instructions.

Pour le modèle	Dia. max.	Dia. min.	Épaisseur de la lame	Kerf
MLT100	260 mm	230 mm	1,8 mm ou moins	2 mm ou plus

ATTENTION :

- Vérifiez le diamètre de l'alésage central de la lame avant de l'installer. Utilisez toujours la bague correcte pour l'alésage central de la lame que vous voulez utiliser. (Fig. 17)

Enlevez l'insert de table sur la table. Immobilisez la flasque extérieure au moyen de la clé et desserrez l'écrou hexagonal avec la clé en tournant dans le sens contraire des aiguilles d'une montre Retirez ensuite la flasque extérieure. (Fig. 18)

Montez la flasque intérieure, la bague, la lame, la flasque extérieure et l'écrou hexagonal sur l'arbre, en vous assurant que les dents de la lame pointent vers le bas à l'avant de la table .

Montez toujours l'écrou hexagonal en orientant sa face enfoncée vers la flasque extérieure.

Pour tous les pays non européens

ATTENTION :

- Une bague de diamètre extérieur 25,4 mm est installée sur l'axe en usine.

(Pour l'Europe uniquement)

ATTENTION :

- La bague de 30 mm de diamètre extérieur est installée en usine entre les flasques intérieure et extérieure.
- Gardez la surface du flasque propre en essuyant les saletés ou autres matières adhérentes ; cela pourrait causer le glissement de la lame. Assurez-vous que la lame est installée de sorte que les dents soient alignées dans le sens de la coupe (rotation).

Pour fixer la lame en place, immobilisez la flasque extérieure à l'aide de la clé coudée, puis serrez l'écrou hexagonal en le tournant dans le sens des aiguilles d'une montre avec la clé. ASSUREZ-VOUS D'AVOIR FERMEMENT SERRÉ LE BOULON HEXAGONAL. (Fig. 19)

ATTENTION :

- Vous devez tenir l'écrou hexagonal avec précaution à l'aide de la clé. Si vous perdiez prise la clé risquerait de s'écarter de l'écrou hexagonal et votre main pourrait frapper contre le bord tranchant de la lame.

Installation du protège-lame (Fig. 20 et 21)

ATTENTION :

- Avant d'installer le protège-lame, réglez la profondeur de coupe sur la position la plus élevée.

Pour le protège-lame de type non-européen

Retirez le couvercle central. insérez le couteau diviseur dans la partie de montage du protège-lame. Serrez les boulons hexagonaux (A) à l'aide de la clé fournie.

Pour le protège-lame de type européen (Fig. 22 et 23)

Retirez le couvercle central. Insérez le couteau diviseur dans la partie de montage du protège-lame. Serrez les boulons hexagonaux (A) à l'aide de la clé fournie.

Placez le protège-lame dans la rainure sur le couteau diviseur.

Fixez le protège-lame en pivotant le levier sur le protège-lame.

Pour les protège-lames de type européen et non-européen

L'emplacement d'installation du couteau diviseur est réglé à l'usine de sorte que la lame et le couteau diviseur soient en ligne droite.

Cependant, s'ils ne sont pas en ligne droite, desserrez les boulons hexagonaux (B) et réglez la partie de montage du protège-lame de sorte que le couteau diviseur soit aligné directement derrière la lame. Ensuite serrez les boulons hexagonaux (B) pour sécuriser la position. (Fig. 24)

ATTENTION :

- Si la lame et le couteau diviseur ne sont alignés correctement, une condition de pincement dangereuse peut en résulter durant l'utilisation. Assurez-vous qu'ils sont correctement alignés. Vous risquez une grave blessure si vous utilisez l'outil sans que le couteau diviseur ne soit aligné correctement.
- N'effectuez JAMAIS de réglages pendant que l'outil tourne. Débranchez l'outil avant d'effectuer des réglages.
- Ne retirez pas le couteau diviseur. (Fig. 25)

Il doit y avoir un jeu d'environ 4 à 5 mm entre le couteau diviseur et les dents de la lame. Desserrez les boulons hexagonaux (A) et réglez le couteau diviseur en conséquence, puis resserrez fermement les boulons hexagonaux (A). Fixez l'insert de table sur la table, ensuite vérifiez pour voir si le protège-lame fonctionne sans à-coups avant de couper.

Installation et réglage du garde parallèle (Fig. 26)

Installez le garde parallèle jusqu'à ce que le support de guidage s'enclenche dans la glissière de guidage la plus proche.

Pour fixer le garde parallèle, tournez complètement le levier du support de garde.

Pour vous assurer que le garde parallèle est parallèle à la lame, fixez-le à 2 ou 3 mm de la lame.

Soulevez la lame jusqu'à l'élévation maximale. Marquez une des dents de la lame avec un crayon. Mesurez la distance (A) et la distance (B) entre le garde parallèle et la lame. Effectuez ces deux mesures avec la dent marquée au crayon.

Ces deux mesures doivent être identiques. Si le garde parallèle n'est pas parallèle à la lame, procédez comme suit : (Fig. 27 et 28)

1. Sécurisez le garde parallèle en abaissant le levier dessus.
2. Avec la clé hexagonale fournie, desserrez les deux boulons hexagonaux du garde parallèle.
3. Réglez le garde parallèle jusqu'à ce qu'il soit parallèle à la lame.
4. Serrez les deux boulons hexagonaux du garde parallèle. (Fig. 29)

ATTENTION :

- Vous devez régler le garde parallèle de sorte qu'il soit parallèle à la lame, autrement il y a risque de dangereux choc en retour.

Déplacez le garde parallèle pour qu'il soit parfaitement ajusté contre le côté de la lame. Assurez-vous que le guide du porte-garde indique 0 sur l'échelle. Si le guide n'indique pas 0 sur l'échelle, desserrez la vis du secteur angulaire et ajustez ce dernier. (Fig. 30)

Branchement à l'aspirateur (Fig. 31)

Des opérations plus propres peuvent être mises en œuvre en raccordant l'outil à l'aspirateur ou un collecteur de poussières de Makita.

UTILISATION

ATTENTION :

- Utilisez toujours des dispositifs tels que bâtons-poussoirs et blocs-poussoirs lorsque vos mains ou doigts courent le risque de se trouver près de la lame.
- Maintenez la pièce de travail fermement avec la table et le guide d'onglet ou le garde parallèle. Évitez de plier ou tordre la pièce pendant la progression de l'outil. Si la pièce se plie ou se tort, il y a risque de choc en retour dangereux.
- NE JAMAIS retirer la pièce pendant que la lame tourne. Si vous devez retirer la pièce avant d'avoir terminé la coupe, coupez d'abord le contact de l'outil sans cesser de tenir la pièce fermement. Attendez que la lame se soit complètement arrêtée avant de retirer la pièce. Autrement il y a risque de choc en retour dangereux.
- NE JAMAIS retirer le matériau coupé pendant que la lame tourne.
- NE JAMAIS placer les doigts ou la main dans la trajectoire de la lame. Soyez tout particulièrement prudent lors des coupes en biseau.
- Immobilisez toujours le garde parallèle fermement, autrement il y a risque de choc en retour dangereux.
- Utilisez toujours de « dispositif d'aide » telles que des poussoirs lorsque vous coupez des pièces étroites ou petites.

Dispositifs d'aide

Les bâtons-poussoirs, les blocs-poussoirs et le garde auxiliaire sont autant de types de « dispositif d'aide ». Utilisez-les pour effectuer vos coupes de manière sûre et en toute sécurité, sans avoir à toucher la lame avec une partie quelconque du corps.

Bloc-poussoir (Fig. 32)

Utilisez une pièce de contreplaqué de 19 mm. La poignée doit se trouver au centre de la pièce de contreplaqué. Collez avec de la colle et des vis à bois, tel qu'illustré. Il faut toujours coller des petites pièces de bois de 9,5 mm x 8 mm x 50 mm sur la pièce pour éviter que la lame ne s'émousse si vous coupez par erreur dans le bloc-poussoir. (Le bloc-poussoir doit toujours être exempt de clous.)

Garde auxiliaire (Fig. 33)

Utilisez des pièces de contreplaqué de 9,5 mm et de 19 mm.

Sciage en long

ATTENTION :

- Pour le sciage en long, retirez le guide d'onglet de la table.
 - Lorsque vous coupez des pièces longues ou larges, installez toujours des dispositifs de soutien adéquats sous la table. NE PAS laisser un long panneau se déplacer ou bouger librement sur la table. La lame se coincerait et les risques de choc en retour et de blessure augmenteraient. Le dispositif de soutien doit être de la même hauteur que la table.
1. Réglez la profondeur de coupe un peu plus haut que l'épaisseur de la pièce. (Fig. 34)
 2. Placez le garde parallèle sur la largeur de coupe désirée et verrouillez-le en place en tournant la poignée.
 3. Mettez le contact et faites avancer doucement la pièce vers la lame le long du garde parallèle.
 - (1) Si la coupe est d'une largeur de 150 mm ou plus, utilisez prudemment votre main droite pour faire progresser la pièce. Utilisez la main gauche pour maintenir la pièce appuyée contre le garde parallèle. (Fig. 35)
 - (2) Si la largeur de coupe est de 65 mm à 150 mm utilisez le bâton-poussoir pour faire avancer la pièce. (Fig. 36)
 - (3) Si la largeur de coupe est inférieure à 65 mm, il n'est pas possible d'utiliser le bâton-poussoir puisqu'il frappera contre le protège-lame. Utilisez le garde auxiliaire et le bloc-poussoir. Fixez le garde auxiliaire au garde parallèle avec deux brides de serrage « C ». (Fig. 37)
- Faites avancer la pièce avec la main jusqu'à ce que le bout se trouve à environ 25 mm du bord avant de la table. Continuez de la faire avancer avec le bloc-poussoir sur la partie supérieure du garde auxiliaire jusqu'à ce que la coupe soit terminée. (Fig. 38)

Coupe en travers

ATTENTION :

- Pour effectuer une coupe en travers, retirez le garde parallèle de la table.
- Lorsque vous coupez des pièces longues ou larges, installez toujours des dispositifs de soutien adéquats des deux côtés de la table. Le dispositif de soutien doit être de la même hauteur que la table.
- Maintenez toujours les mains à l'écart de la trajectoire de la lame.

Guide d'onglet (Fig. 39)

Utilisez le guide d'onglet pour les 4 types de coupe indiqués sur l'illustration.

ATTENTION :

- Serrez doucement le bouton du guide d'onglet.
- Installez solidement la pièce et le guide pour éviter qu'ils ne se déplacent, et ce tout spécialement lors d'une coupe en angle.
- NE JAMAIS tenir ou saisir la pièce par la partie qui se détachera lors de la coupe.
- Toujours réglez la distance entre la fin du guide d'onglet et la lame de scie qui ne doit pas excéder 15 mm.

Utilisation du guide d'onglet (Fig. 40)

Glissez le guide d'onglet dans les rainures épaisses de la table. Desserrez le bouton du guide et alignez ce dernier sur l'angle désiré (0° à 60°). Alignez parfaitement le matériau contre le garde et la table coulissante et fixez-le avec la bride sur le guide d'onglet et faites-le avancer doucement vers la lame.

Parement de bois auxiliaire (guide d'onglet) (Fig. 41)

Pour empêcher le sautellement des longs panneaux, installez le guide d'onglet avec un panneau en guise de garde auxiliaire. Percez des trous pour le serrer avec les boulons/écrous, en prenant soin qu'ils ne dépassent pas de la surface du panneau.

Transport de l'outil (Fig. 42)

Assurez-vous que l'outil est débranché.

Transportez l'outil en le tenant par la partie telle qu'indiquée sur l'illustration.

ATTENTION :

- Fixez toujours toutes les parties mobiles avant de transporter l'outil.
- Assurez-vous toujours que le protège-lame est bien en place avant de transporter l'outil.

MAINTENANCE

ATTENTION :

- Assurez-vous toujours que l'outil est éteint et débranché avant d'effectuer tout travail d'inspection ou de maintenance.

NOTE :

- N'utilisez jamais d'essence, de benzine, de diluant, d'alcool ou de produit similaire. Ces produits risquent de provoquer des décolorations, des déformations ou des fissures.

Nettoyage

Nettoyez la sciure et les copeaux de temps en temps. Nettoyez soigneusement le protège-lame et les parties mobiles à l'intérieur de la scie circulaire.

Lubrification

Pour garder la scie circulaire à table en condition de fonctionnement, et assurez une durée de service maximum, huilez ou graissez les parties mobiles et rotatives de temps en temps.

Les emplacements de lubrification :

- Arbre fileté pour l'élévation de la lame
- Charnière pour faire pivoter le cadre
- Arbres de guidage d'élévation sur le moteur
- Engrenage pour l'élévation de la lame

Remplacement des charbons (Fig. 43)

Retirez et vérifiez les charbons régulièrement.

Remplacez-les lorsqu'ils sont usés jusqu'à une longueur de 3 mm. Gardez les charbons propres et assurez-vous qu'ils glissent librement dans les porte-charbons. Les deux charbons doivent être remplacés en même temps. Utilisez uniquement des charbons identiques.

(Fig. 44)

Retirez les bouchons de porte-charbon à l'aide d'un tournevis. Pour remplacer les charbons, retirez le protège-lame et la lame puis desserrez le levier de verrouillage, inclinez la tête porte-scie et fixez-la sur l'angle de coupe en biseau de 45°. Faites doucement reposer l'outil sur lui-même vers l'arrière. Desserrez ensuite le bouchon des porte-charbons. Enlevez les charbons usés, insérez les neufs et remettez en place les bouchons porte-charbons.

To maintain product SAFETY and RELIABILITY, repairs, any other maintenance or adjustment should be performed by Makita Authorized Service Centers, always using Makita replacement parts.

ACCESSOIRES

ATTENTION :

- Ces accessoires ou pièces complémentaires sont recommandés pour l'utilisation avec l'outil Makita spécifié dans ce manuel. L'utilisation de tout autre accessoire ou pièce complémentaire comporte un risque de blessures. Utilisez uniquement l'accessoire ou la pièce complémentaire dans le but spécifié.

Pour obtenir plus de détails sur ces accessoires, contactez un Centre de service après-vente local Makita.

- Garde parallèle
- Guide d'onglet
- Clé 24
- Clé hexagonale 5
- Raccord (pour la connexion du collecteur de poussière)
- Stand set

Bruit ENG905-1

Les niveaux de bruit pondéré A typiques ont été mesurés selon la norme EN61029 :

Niveau de pression sonore (L_{pA}) : 92 dB (A)

Niveau de puissance sonore (L_{WA}) : 105 dB (A)

Incertitude (K) : 3 dB (A)

Portez des protections auditives.

Pour les pays d'Europe uniquement ENH022-3

Déclaration de conformité CE

Nous, Makita Corporation, en tant que fabricant responsable, déclarons que les machines Makita suivantes :

Nom de la machine :

Scie circulaire à table

N° de modèle/Type : MLT100

sont fabriquées en série et

sont conformes aux directives européennes

suivantes :

2006/42/CE

et sont produites conformément aux normes ou

documents de normalisation suivants :

EN61029

N° de l'attestation d'inspection de type CE : BM 50170011 0001, BM 50170011 0002

L'inspection de type CE a été réalisée par :

TÜV RHEINLAND Product safety GmbH Am Grauen
Stein 51105

Köln, Allemagne

N° d'identification 0197

La documentation technique est disponible auprès de notre représentant en Europe qui est :

Makita International Europe Ltd.,
Michigan Drive, Tongwell,
Milton Keynes, Bucks MK15 8JD, Angleterre

15.12.2009



Tomoyasu Kato

Directeur

Makita Corporation

3-11-8, Sumiyoshi-cho,

Anjo, Aichi, 446-8502, JAPAN

DEUTSCH (Originalanweisungen)

Erklärung der Gesamtdarstellung

- | | | |
|--|---|--|
| 1. Lochdurchmesser 8 mm | 17. Untertisch (hinten) | 33. Hebel |
| 2. 6 mm Standard-Unterlegscheibe | 18. Schiebetisch | 34. Skala |
| 3. Nr. 10 Holzschraube 40 mm min. Länge | 19. Sicherungsscheibe | 35. Vorlage |
| 4. 6 mm Montagebolzen und Mutter fest anziehen | 20. Schraubenschlüssel | 36. Schraube |
| 5. Schubstock | 21. Sechskantmutter | 37. Fläche/Kante parallel |
| 6. Parallelanschlag (Führungslineal) | 22. Innenflansch | 38. Holzschraube |
| 7. Gehrungsfugenlehre | 23. Ring | 39. Verleimen |
| 8. Griff | 24. Sägeblatt | 40. Hilfsanschlag |
| 9. Pfeilzeiger | 25. Außenflansch | 41. Schubblock |
| 10. Arretiertaste | 26. Blattschutz | 42. Querschnitte |
| 11. 90° Einstellschraube | 27. Spaltkeil | 43. Gehrungsschnitt |
| 12. 45° Einstellschraube | 28. Blattschutzmontagebereich (Stütze) | 44. Neigungsschnitt |
| 13. Schalter | 29. Sägeblatt | 45. Zusammengesetzte Schnitte (Winkel) |
| 14. Starttaste | 30. Diese zwei Abstände müssen gleich sein. | 46. Knauf |
| 15. Schrauben | 31. Sechskantschrauben (A) | 47. Bürstenhalterkappe |
| 16. Untertisch (R) | 32. Sechskantschrauben | 48. Schraubendreher |

TECHNISCHE DATEN

Modell	MLT100	
	(für europäische Länder)	(für Länder außerhalb Europas)
Spindelloch	30 mm	25 mm und 25,4 mm
Sägeblattdurchmesser	260 mm	255 mm
Max. Schnittleistungen	90°	93 mm
	45°	64 mm
Leerlaufdrehzahl (U/min ⁻¹)	4.300	
Tischgröße (L x B)	(685 mm - 835 mm) x (955 mm - 1.305 mm) mit Untertischen (R) und (hinten)	(685 mm - 835 mm) x (955 mm - 1.305 mm) mit Untertischen (R) und (hinten)
Abmessungen (L x B x H) mit nicht herausgeführten Untertisch(en)	726 mm x 984 mm x 333 mm mit Untertischen (R) und (hinten)	726 mm x 984 mm x 333 mm mit Untertischen (R) und (hinten)
Nettogewicht	34,1 kg	34,1 kg
Sicherheitsklasse	II/II	

- Aufgrund unserer beständigen Forschungen und Weiterentwicklungen sind Änderungen an den hier angegebenen Technischen Daten ohne Vorankündigung vorbehalten.
- Die Technischen Daten können in den einzelnen Ländern voneinander abweichen.
- Gewicht entsprechend EPTA-Verfahren 01/2003

Symbole

END215-3

Im Folgenden sind die Symbole dargestellt, die im Zusammenhang mit dem Werkzeug verwendet werden. Es ist wichtig, dass Sie deren Bedeutung vor der Verwendung des Werkzeugs kennen.



..... Bringen Sie Ihre Hände oder Finger nicht in die Nähe des Sägeblatts.

Verwendungszweck

ENE003-1

Das Werkzeug wurde für das Schneiden in Holz entwickelt.

Stromversorgung

ENF002-1

Das Werkzeug darf nur an eine Stromversorgung mit der auf dem Typenschild angegebenen Spannung und einphasigem Wechselstrom angeschlossen werden. Aufgrund der Doppelisolierung nach europäischem Standard kann das Werkzeug auch an Steckdosen ohne Erdungsleiter betrieben werden.



..... Lesen Sie die vorliegende Betriebsanleitung.



..... DOPPELT SCHUTZISOLIERT



..... Tragen Sie eine Schutzbrille.

Allgemeine Sicherheitshinweise für Elektrowerkzeuge

GEA010-1

⚠️ WARNUNG Lesen Sie alle Sicherheitshinweise und Anweisungen sorgfältig durch. Wenn die Hinweise und Anweisungen nicht beachtet werden, besteht die Gefahr eines Stromschlags, Brands und/oder das Risiko von ernsthaften Verletzungen.

Bewahren Sie alle Hinweise und Anweisungen zur späteren Referenz gut auf.

ZUSÄTZLICHE SICHERHEITSREGELN FÜR DAS WERKZEUG

ENB095-1

BEWAHREN SIE DIESE ANWEISUNGEN SORGFÄLTIG AUF.

1. Tragen Sie während der Arbeit stets eine Schutzbrille.
2. Betreiben Sie Werkzeuge nicht in der Nähe leicht entzündlicher Flüssigkeiten oder Gase.
3. Verwenden Sie das Werkzeug NIE mit einer Trennschleifscheibe.
4. Überprüfen Sie das Sägeblatt vor dessen Gebrauch sorgfältig auf Risse oder sonstige Beschädigungen. Wechseln Sie ein gesprungenes oder beschädigtes Sägeblatt unverzüglich aus.
5. Verwenden Sie ausschließlich die vom Hersteller empfohlenen Sägeblätter, die der Norm EN847-1 entsprechen, und beachten Sie, dass der Spaltkeil nicht dicker sein darf als die Schnittbreite des Sägeblatts und nicht dünner als der Körper des Blattes.
6. Verwenden Sie nur die in dieser Anleitung empfohlenen Zubehörteile. Die Verwendung ungeeigneter Zubehörteile, wie z.B. Trennschleifscheiben, kann zu Verletzungen führen.
7. Wählen Sie ein für das zu schneidenden Material geeignetes Sägeblatt aus.
8. Verwenden Sie keine Sägeblätter, die aus HSS-Stahl hergestellt wurden.
9. Achten Sie darauf, dass das Sägeblatt immer scharf und sauber ist, um den Geräuschpegel niedrig zu halten.
10. Verwenden Sie richtig geschliffene Sägeblätter. Beachten Sie die maximale Geschwindigkeit, die auf dem Sägeblatt angegeben ist.
11. Reinigen Sie vor der Anbringung des Blattes Spindel, Flansche (insbesondere deren Montageflächen) und Sechskantmutter. Eine schlechte Befestigung kann zu Vibrationen, Schlagen und Rutschen des Blattes führen.
12. Verwenden Sie den Sägeblattschutz und den Spaltkeil für jede Arbeit, bei der diese verwendet werden können, auch beim Durchsägen. Installieren Sie den Blattschutz gemäß den Anweisungen in diesem Handbuch. Durchsägen

bedeutet, das bei Längs- oder Querschnitten das Blatt das Werkstück komplett durchschneidet. Verwenden Sie das Werkzeug NIE mit einem fehlerhaften Blattschutz, und befestigen Sie den Blattschutz nie mit einem Seil, Band usw. Etwaige Mängel des Blattschutzes müssen unverzüglich behoben werden.

13. Bringen Sie nach einer Arbeit, die ein Entfernen des Blattschutzes verlangt, den Blattschutz und den Spaltkeil sofort wieder an.
14. Schneiden Sie keine metallenen Gegenstände wie Nägel und Schrauben. Untersuchen Sie das Werkstück auf Nägel, Schrauben und andere Fremdmaterialien, und entfernen Sie diese ggf. vor Arbeitsbeginn.
15. Entfernen Sie Schlüsseln, Abschnitte usw. vom Tisch, bevor Sie das Werkzeug einschalten.
16. Tragen Sie während des Betriebs NIEMALS Handschuhe.
17. Halten Sie die Hände vom Weg des Sägeblatts fern.
18. Stehen Sie NIEMALS in Richtung des Sägeblatts und halten Sie alle Personen aus diesem Bereich fern.
19. Achten Sie vor dem Einschalten des Werkzeugs darauf, dass das Messer den Spaltkeil oder das Werkstück nicht berührt.
20. Bevor Sie das Werkzeug auf das zu bearbeitende Werkstück ansetzen, lassen Sie es einige Zeit ohne Last laufen. Achten Sie auf Vibrationen und Schlagen; beides gibt Aufschluss über ein schlecht ausgewuchertes Messer oder kann auf einen nicht fachgerechten Einbau deuten.
21. Das Werkzeug darf nicht zum Schneiden von Schlitzfen, Fugen und Nuten verwendet werden.
22. Tauschen Sie einen verschlissenen Tischeinsatz aus.
23. Nehmen Sie Einstellungen NIEMALS bei laufendem Werkzeug vor. Ziehen Sie den Stecker, bevor Sie Einstellungen vornehmen.
24. Verwenden Sie bei Bedarf einen Schubstock. Schubstöcke MÜSSEN bei Längsschnitten von schmalen Werkstücken verwendet werden, um zu vermeiden, dass Ihre Hände oder Finger zu nah ans Sägeblatt kommen.
25. Heben Sie bei Nichtverwendung den Schubstock gut auf.
26. Beachten Sie insbesondere die Anweisungen zur Minimierung des Risikos eines RÜCKSCHLAGS. Bei einem RÜCKSCHLAG handelt es sich um eine plötzliche Reaktion auf ein verklemmtes, verbogenes oder falsch angebrachtes Sägeblatt. Ein RÜCKSCHLAG führt dazu, dass das Werkstück rückwärts aus dem Werkzeug in Richtung Bediener ausgestoßen wird. RÜCKSCHLÄGE KÖNNEN ZU SCHWEREN VERLETZUNGEN FÜHREN. Vermeiden Sie RÜCKSCHLÄGE, indem Sie das Blatt scharf halten, den Parallelanschlag parallel zum Blatt einstellen, Spaltkeil und Blattschutz in Ordnung und an ihrer Position halten, das Werkstück nicht loslassen, bis es das Blatt vollständig passiert hat, und indem Sie keine Längsschnitte an einem Werkstück ausführen, das verbogen oder verdreht

- ist und keine gerade Kante hat, die sich am Anschlag entlang führen lässt.
27. Führen Sie keine Freihandarbeiten aus. Freihand bedeutet, dass Sie anstelle eines Parallelschlags oder einer Gehrungsfugenlehre Ihre Hände dazu benutzen, das Werkstück abzustützen oder zu führen.
 28. Greifen Sie NIE hinter oder über das Sägeblatt. Greifen Sie NIE nach einem Werkstück, wenn das Sägeblatt noch läuft.
 29. Vermeiden Sie einen abrupte, schnellen Vorschub. Schieben Sie harte Werkstücke so langsam wie möglich vor. Sie dürfen das Werkstück während des Vorschubs weder biegen noch verdrehen. Wenn sich das Blatt im Werkstück verklemmt oder blockiert, schalten Sie das Werkzeug sofort aus. Ziehen Sie den Stecker. Beseitigen Sie die Blockade.
 30. Entfernen Sie NIE abgeschnittene Stücke neben dem Blatt oder berühren den Blattschutz, während das Sägeblatt noch läuft.
 31. Entfernen Sie lose Äste aus dem Werkstück, BEVOR Sie mit dem Sägen beginnen.
 32. Verwenden Sie das Netzkabel ordnungsgemäß. Ziehen Sie niemals am Kabel, um das Gerät aus der Steckdose zu ziehen. Halten Sie das Kabel von Hitze, Öl, Wasser und scharfen Gegenständen und Kanten fern.
 33. Bestimmter Staub, der beim Betrieb entsteht, enthält Chemikalien, die Krebs, Geburtsschäden und andere Fortpflanzungsschäden verursachen kann. Zu diesen Chemikalien gehören unter anderem:
 - Blei aus mit Bleifarben gestrichenen Materialien und
 - Arsen und Chrom aus chemisch behandelten Balken.
 - Ihr Risiko hängt davon ab, wie oft Sie sich diesen Arbeiten aussetzen. Reduzieren Sie die Häufigkeit, mit der Sie sich diesen Chemikalien aussetzen: Arbeiten Sie in einem gut belüfteten Bereich und arbeiten Sie mit den zugelassenen Schutzvorrichtungen, dazu gehören Staubmasken, die vor allem für die Filterung mikroskopischer Partikel vorgesehen sind.
 34. Schließen Sie das Werkzeug beim Sägen an eine Staubabsaugvorrichtung an.
 35. Die Schutzhaube kann beim Ansetzen des Werkstücks und zur einfacheren Reinigung angehoben werden. Stellen Sie immer sicher, dass die Schutzhaube unten ist und flach am Säge Tisch anliegt, bevor Sie das Werkzeug an die Netzsteckdose anschließen.

BEWAHREN SIE DIESE ANWEISUNGEN SORGFÄLTIG AUF.

INSTALLATION

Positionieren der Tische Säge (Abb. 1 bis 3)

Stellen Sie die Tischkreissäge in einem gut beleuchteten und ebenen Bereich auf, auf der sicherer Stand und Balance möglich sind. Stellen Sie die Tischkreissäge in

einem Bereich auf, der genug Raum für ein einfaches Handhaben der Werkstücke bietet. Die Tischkreissäge muss mit vier Schrauben oder Bolzen, die durch die dafür vorgesehenen Löcher auf der Unterseite der Tischkreissäge geführt werden, auf der Werkbank oder dem Gestell gesichert werden. Sorgen Sie beim Sichern der Tischkreissäge auf der Werkbank dafür, dass oben in der Werkbank ein Loch von der Größe vorhanden ist, wie es sich auch in der Tischkreissäge befindet, damit das Sägemehl hindurchfallen kann. Wenn die Tischkreissäge während des Betriebs dazu neigt, zu kippen, zu rutschen oder sich zu bewegen, muss die Werkbank bzw. das Gestell auf dem Boden gesichert werden.

Lagern des Zubehörs (Abb. 4 und 5)

Schubstock, Einstellendreieck, Sägeblätter und Schlüssel können auf der linken Seite des Gleitschuhs und der Parallelschlag und die Gehrungsfugenlehre auf dessen rechter Seite aufbewahrt werden.

FUNKTIONSBESCHREIBUNG

ACHTUNG:

- Schalten Sie das Werkzeug stets aus und ziehen Sie den Stecker, bevor Sie Einstellungen oder eine Funktionsprüfung des Werkzeugs vornehmen.

Einstellen der Schnitttiefe (Abb. 6)

Zum Einstellen der Schnitttiefe drehen Sie den Griff. Drehen Sie den Griff im Uhrzeigersinn, um das Blatt zu heben, und entgegen dem Uhrzeigersinn, um es zu senken.

HINWEIS:

- Verwenden Sie für saubere Schnitte bei dünnen Materialien eine flache Tiefeneinstellung.

Einstellen des Fasenwinkels (Abb. 7)

Lösen Sie den Entsperrungshebel gegen den Uhrzeigersinn und drehen Sie das Handrad, bis der gewünschte Winkel (0° bis 45°) erreicht ist. Der Neigungswinkel wird durch den Pfeilzeiger angezeigt. Wenn Sie den gewünschten Winkel eingestellt haben, ziehen Sie den Entsperrungshebel im Uhrzeigersinn fest, um die Einstellung zu sichern.

ACHTUNG:

- Nach Einstellen des Neigungswinkels muss der Entsperrungshebel fest angezogen werden.

Einstellen der Feststopper (Abb. 8 und 9)

Das Werkzeug verfügt über Feststopper bei 90° und 45° zur Tischoberfläche. Gehen Sie wie folgt vor, um die Feststopper zu prüfen und einzustellen. Bewegen Sie das Handrad durch Drehen so weit wie möglich. Legen Sie ein Einstellendreieck auf den Tisch und prüfen Sie, ob sich das Blatt 90° bzw. 45° zur Tischoberfläche geneigt ist. Wenn sich das Blatt in einem in Abbildung A angezeigten Winkel befindet, drehen Sie die Einstellschrauben im Uhrzeigersinn. Wenn der Winkel einem in Abbildung B entspricht, drehen Sie die Einstellschrauben gegen den Uhrzeigersinn, um die Feststopper einzustellen.

Nach Einstellen der Feststopper stellen Sie das Blatt auf 90° zur Tischoberfläche. Stellen Sie dann den Pfeilzeiger so ein, dass seine rechte Kante auf die Einteilung 0° weist. (Abb. 10)

Bedienung des Schalters

ACHTUNG:

- Entfernen Sie das Werkstück vom Tisch.
- Schalten Sie das Werkzeug aus und drücken Sie dann die Starttaste erneut.
- Vergewissern Sie sich vor dem Anschließen des Werkzeugs an das Stromnetz stets, dass das Werkzeug ausgeschaltet ist.

Für Werkzeug mit Tastschalter (Abb. 11)

Betätigen Sie den EIN-Schalter (I), um das Werkzeug zu starten.

Betätigen Sie zum Stoppen des Werkzeugs den AUS-Schalter (O).

Für Werkzeug mit Hebelschalter (Abb. 12)

Bringen Sie zum Starten des Werkzeugs den Hebel des Schalters in die obere Position. Zum Stoppen des Werkzeugs bringen Sie den Hebel des Schalters in die untere Position.

Untertisch (R) (Abb. 13 und 14)

Dieses Werkzeug ist auf der rechten Seite des Haupttisches mit einem Untertisch (R) ausgestattet. Lösen Sie zur Verwendung des Untertisches (R) die zwei Schrauben entgegen dem Uhrzeigersinn, ziehen den Tisch (R) ganz heraus und ziehen Sie dann die zwei Schrauben zum Sichern fest.

Untertisch (hinten) (Abb. 15)

Lösen Sie zur Verwendung des Untertisches (hinten) die Schrauben an der linken und rechten Seite an der Unterseite des Tisches, und ziehen Sie den Tisch nach hinten bis zur gewünschten Länge heraus. Ziehen Sie an der gewünschten Länge die Schrauben fest.

Seitentisch (Abb. 16)

ACHTUNG:

- Sichern Sie nach Verwendung des Schiebetisches diesen immer, indem Sie die Sicherungsscheibe in die vertikale Position bringen.

An diesem Werkzeug befindet sich der Schiebetisch an der linken Seite.

Der Schiebetisch kann nach hinten und vorn geschoben werden. Drehen Sie vor der Verwendung die Sicherungsscheiben hinten und vorn in die horizontale Position.

Spannen Sie das Werkzeug mit der Gehrungsfugenlehre und einer Klemmen an der Gehrungsfugenlehre fest ein, und schieben Sie zum Schneiden das Werkstück zusammen dem Schiebetisch.

MONTAGE

ACHTUNG:

- Schalten Sie das Werkzeug stets aus und ziehen Sie den Stecker, bevor Sie irgendwelche Arbeiten am Werkzeug durchführen.

Bei der Auslieferung des Werkzeugs sind Sägeblatt und Blattschutz nicht montiert. Bringen Sie diese wie folgt an:

Montage und Demontage des Sägeblatts

ACHTUNG:

- Schalten Sie das Werkzeug aus und ziehen Sie den Stecker, bevor Sie das Sägeblatt einsetzen oder entfernen.
- Verwenden Sie zum Demontieren oder Montieren des Sägeblatts ausschließlich den mitgelieferten Steckschlüssel von Makita. Andernfalls besteht die Gefahr, dass die Sechskantschraube zu stark oder unzureichend angezogen wird. Dies kann zu Verletzungen führen.
- Verwenden Sie das folgende Sägeblatt. Verwenden Sie niemals Sägeblätter, die nicht den in diesen Anleitungen angegebenen Kenngrößen entsprechen.

Für Modell	Max. Durchm.	Min. Durchm.	Sägeblattstärke	Schlitz
MLT100	260 mm	230 mm	max. 1,8 mm	mind. 2 mm

ACHTUNG:

- Prüfen Sie den Spindelochdurchmesser des Blattes, bevor Sie es montieren. Verwenden Sie immer den richtigen Ring für den Spindelochdurchmesser des Blattes, das Sie verwenden möchten. (Abb. 17)

Entfernen Sie den Tischeinsatz vom Tisch. Halten Sie den Außenflansch mit dem Schlüssel, und lösen Sie die Sechskantsteckschraube gegen den Uhrzeigersinn mit dem Schlüssel. Entfernen Sie dann den Außenflansch. (Abb. 18)

Bringen Sie den Innenflansch, den Ring, das Sägeblatt, den Außenflansch und die Sechskantmutter auf der Spindel an; achten Sie dabei darauf, dass die Zähne des Blattes an der Vorderseite des Tisches nach unten zeigen.

Bringen Sie die Sechskantmutter immer so an, dass ihr abgestufter Bereich zum Außenflansch zeigt.

Für alle Länder außerhalb Europas

ACHTUNG:

- Werkseitig ist der Ring mit einem Außendurchmesser von 25,4 mm auf der Spindel befestigt.

Für europäische Länder

ACHTUNG:

- Werkseitig ist der silberne Ring mit einem äußeren Durchmesser von 30 mm zwischen Innen- und Außenflansch befestigt.
- Halten Sie den Außenflansch sauber von Schmutz und anderer haftender Materialien; das Blatt könnte ansonsten rutschen. Das Blatt muss so angebracht sein, dass die Zähne in Schneiderichtung (Drehrichtung) zeigen.

Um das Blatt in Position zu sichern, halten Sie den Außenflansch mit dem abgewinkelten Schlüssel und ziehen die Sechskantsteckschraube im Uhrzeigersinn mit dem Schlüssel an. ZIEHEN SIE DIE SECHSKANTSCHRAUBE FEST AN. (Abb. 19)

ACHTUNG:

- Halten Sie die Sechskantschraube sorgsam mit dem Schlüssel fest. Wenn Sie Ihren Griff lösen, kann der

Schlüssel von der Sechskantschraube abrutschen, und Ihre Hand kann gegen die scharfen Blattkanten schlagen.

Einsetzen des Blattschutzes (Abb. 20 und 21)

ACHTUNG:

- Vor der Montage des Blattschutzes stellen Sie die Schnitttiefe auf das Maximum ein.

Blattschutz für außereuropäische Länder

Entfernen Sie die Mittenabdeckung. Bringen Sie den Spaltkeil im Blattschutzmontagebereich an (Stütze). Ziehen Sie die Sechskantschrauben (A) mit dem mitgelieferten Schlüssel an.

Blattschutz für europäische Länder (Abb. 22 und 23)

Entfernen Sie die Mittenabdeckung. Bringen Sie den Spaltkeil im Blattschutzmontagebereich an (Stütze). Ziehen Sie die Sechskantschrauben (A) mit dem mitgelieferten Schlüssel an. Bringen Sie den Blattschutz in der Rille des Spaltkeils an. Sichern Sie den Blattschutz durch Drehen des Hebels am Blattschutz.

Blattschutz für europäische und außereuropäische Länder

Die Montageposition des Spaltkeils ist werkseitig so eingestellt, dass sich Blatt und Spaltkeil in einer geraden Linie befinden.

Sollten sie sich jedoch nicht in einer geraden Linie befinden, so lösen Sie die Sechskantschrauben (B) und stellen den Blattschutzmontagebereich (Stütze) so ein, dass der Spaltkeil direkt hinter dem Blatt ausgerichtet ist. Ziehen Sie dann die Sechskantschrauben (B) zur Sicherung der Stütze an. (Abb. 24)

ACHTUNG:

- Wenn Blatt und Spaltkeil nicht korrekt ausgerichtet sind, kann es während des Betriebs zu gefährlichen Verklammerungssituationen kommen. Achten Sie auf eine korrekte Ausrichtung. Ohne einen korrekt ausgerichteten Spaltkeil kann es zu schweren Personenschäden kommen.
- Nehmen Sie Einstellungen NIEMALS bei laufendem Werkzeug vor. Ziehen Sie den Stecker, bevor Sie Einstellungen vornehmen.
- Entfernen Sie den Spaltkeil nicht. (Abb. 25)

Zwischen dem Spaltkeil und den Zähnen des Blattes muss ein Abstand von 4 bis 5 mm sein. Lösen Sie die Sechskantschrauben (A), stellen Sie den Spaltkeil entsprechend ein und ziehen Sie die Sechskantschrauben (A) wieder fest. Bringen Sie den Tischeinsatz am Tisch an und prüfen Sie vor dem Schneiden, ob der Blattschutz reibungslos funktioniert.

Montage und Einstellen des Parallelenschlags (Abb. 26)

Bringen Sie den Parallelenschlag so an, dass der Backenhalter in die nächste Führungsschiene eingreift. Drehen Sie zum Sichern des Parallelenschlags den Hebel am Backenhalter fest.

Um zu überprüfen, ob sich der Parallelenschlag parallel zum Blatt befindet, sichern Sie den Parallelenschlag im Abstand von 2 bis 3 mm zum Blatt.

Heben Sie das Blatt so weit wie möglich an. Markieren Sie einen der Sägezähne mit Kreide. Messen Sie den Abstand (A) und (B) zwischen Parallelenschlag und Blatt. Nehmen Sie beide Messungen an dem mit Kreide markierten Zahn vor.

Die zwei Messungen müssen identisch sein. Wenn der Parallelenschlag nicht parallel zum Blatt ist, gehen Sie wie folgt vor: (Abb. 27 und 28)

1. Sichern Sie den Parallelenschlag durch Absenken des Hebels.
2. Lösen Sie die beiden Sechskantsteckschrauben am Parallelenschlag mit dem mitgelieferten Sechskant Schlüssel.
3. Stellen Sie den Parallelenschlag ein, bis er parallel zum Blatt liegt.
4. Ziehen Sie die beiden Sechskantschrauben am Parallelenschlag fest. (Abb. 29)

ACHTUNG:

- Der Parallelenschlag muss so angebracht werden, dass er sich parallel zum Blatt befindet, da es ansonsten zu gefährlichen Rückschlägen kommen kann.

Bringen Sie den Parallelenschlag bündig zur Seite des Blattes an. Vergewissern Sie sich, dass die Vorlage auf dem Backenhalter auf die Einteilung 0 zeigt. Wenn die Vorlage nicht auf die Einteilung 0 zeigt, lösen Sie die Schraube auf der Skalenplatte und stellen die Skalenplatte ein. (Abb. 30)

Anschließen eines Staubsaugers (Abb. 31)

Wenn Sie einen Makita-Staubsauger oder Staubsammler an das Werkzeug anschließen, können Sie sauberer arbeiten.

BETRIEB

ACHTUNG:

- Benutzen Sie immer Arbeitshilfen wie Schubstöcke und -blöcke, wenn die Gefahr besteht, dass Ihre Hände oder Finger nahe an das Blatt kommen.
- Halten Sie das Werkstück immer fest gegen den Tisch und den Parallelenschlag bzw. die Gehrungsfugenlehre. Sie dürfen es während des Vorschubs weder biegen noch verdrehen. Wenn das Werkstück verbogen oder verdreht wird, kann es zu gefährlichen Rückschlägen kommen.
- Ziehen Sie das Werkstück NIE bei laufendem Blatt heraus. Wenn Sie das Werkstück vor Beendigung eines Schnittes herausziehen müssen, schalten Sie zuerst das Werkzeug aus und haften Sie das Werkstück fest. Warten Sie, bis sich das Blatt nicht mehr dreht, bevor Sie das Werkstück herausziehen. Zuwiderhandlungen können zu gefährlichen Rückschlägen führen.
- Entfernen Sie abgeschnittene Stücke NIE bei laufendem Blatt.
- Halten Sie NIEMALS Ihre Hand oder Ihre Finger in den Weg des Sägeblatts. Gehen Sie bei Neigungsschnitten mit besonderer Vorsicht vor.
- Sichern Sie den Parallelenschlag immer ganz fest, ansonsten kann es zu gefährlichen Rückschlägen kommen.

- Verwenden Sie beim Schneiden schmaler Werkstücke stets „Arbeitshilfen“, wie Spannhilfen oder Schraubstöcke.

Arbeitshilfen

Schubstöcke und -blöcke und Hilfsanschläge sind Arbeitshilfen. Verwenden Sie diese für sichere und saubere Schnitte, ohne dass ein Körperteil in Kontakt mit dem Blatt gerät.

Schubblock (Abb. 32)

Verwenden Sie ein Stück Sperrholz mit 19 mm. Der Griff sollte sich in der Mitte des Sperrholzstücks befinden. Bringen Sie den Griff mit Leim und Holzschrauben wie dargestellt an. Kleine Holzstücke von 9,5 mm x 8 mm x 50 mm müssen immer an das Sperrholz geleimt werden, damit das Blatt bei einem versehentlichen Schnitt in den Block nicht stumpf wird. (Der Schubblock darf niemals Nägel enthalten.)

Hilfsanschlag (Abb. 33)

Stellen Sie einen Hilfsanschlag aus Sperrholz von 9,5 mm und 19 mm her.

Längsschnitte

ACHTUNG:

- Entfernen Sie für Längsschnitte die Gehrungsfugenlehre vom Tisch.
 - Sorgen Sie beim Schneiden langer und großer Werkstücke immer für ausreichend Abstützung hinter dem Tisch. Lange Bretter dürfen auf dem Tisch NICHT rutschen oder sich bewegen. Dies kann zum Einklemmen des Sägeblatts führen und somit zu einem gefährlichen Rückschlag und zu schweren Verletzungen. Die Stütze muss genauso hoch sein wie der Tisch.
1. Stellen Sie die Schnitttiefe ein bisschen über der Stärke des Werkstücks ein. **(Abb. 34)**
 2. Stellen Sie den Parallelanschlag auf die gewünschte Schnittbreite, und ziehen Sie ihn durch Drehen des Griffs fest.
 3. Schalten Sie das Werkzeug ein und schieben Sie das Werkstück entlang dem Parallelanschlag in das Blatt vor.
 - (1) Bei einer Schnittbreite von 150 mm und mehr schieben Sie das Werkstück vorsichtig mit der rechten Hand vor. Mit der linken Hand halten Sie das Werkstück in Position gegen den Parallelanschlag. **(Abb. 35)**
 - (2) Bei einer Schnittbreite von 65 mm bis 150 mm schieben Sie das Werkstück mit dem Schubstock vor. **(Abb. 36)**
 - (3) Bei einer Schnittbreite von weniger als 65 mm kann der Schubstock nicht verwendet werden, da er den Blattschutz berührt. Verwenden Sie den Hilfsanschlag und den Schubblock. Bringen Sie den Hilfsanschlag am Parallelanschlag mit den beiden Klammern "C" an. **(Abb. 37)**
Schieben Sie das Werkstück per Hand vor, bis das Ende etwa 25 mm von der vorderen Kante des Tisches entfernt ist. Schieben Sie mit dem Schubblock oben auf dem Hilfsanschlag weiter vor, bis der Schnitt abgeschlossen ist. **(Abb. 38)**

Querschnitte

ACHTUNG:

- Entfernen Sie für Querschnitte den Parallelanschlag vom Tisch.
- Sorgen Sie beim Schneiden langer und großer Werkstücke immer für ausreichend Abstützung an den Seiten des Tisches. Die Stütze muss genauso hoch sein wie der Tisch.
- Halten Sie die Hände immer vom Weg des Sägeblatts fern.

Gehrungsfugenlehre (Abb. 39)

Verwenden Sie die Gehrungsfugenlehre für die 4 in der Abbildung dargestellten Schnittarten.

ACHTUNG:

- Sichern Sie den Knauf an der Gehrungsfugenlehre sorgfältig.
- Vermeiden Sie ein Kriechen von Werkstück und Lehre, indem Sie die Anordnung besonders bei Winkelschnitten festhalten.
- Halten oder greifen Sie NIE den Teil des Werkstücks, der abgeschnitten werden soll.
- Stellen Sie den Abstand zwischen dem Ende der Gehrungsfugenlehre und dem Sägeblatt nie über 15 mm ein.

Verwenden der Gehrungsfugenlehre (Abb. 40)

Schieben Sie die Gehrungsfugenlehre in die dicken Rillen im Tisch. Lösen Sie den Knauf an der Lehre und stellen Sie den gewünschten Winkel ein (0° bis 60°). Bringen Sie das Aufmaß bündig zum Anschlag und Seitentisch an, befestigen Sie es mit der Klemme an der Gehrungsfugenlehre und schieben Sie es langsam in das Blatt vor.

Hilfswischenbrett (Gehrungsfugenlehre) (Abb. 41)

Befestigen Sie ein Hilfswischenbrett an der Gehrungsfugenlehre, um bei langen Brettern ein Flattern zu vermeiden. Befestigen Sie es mit Bolzen/Schrauben, nachdem Sie Löcher gebohrt haben. Die Befestigungen dürfen aber nicht aus dem Zwischenbrett hervorstehen.

Tragen der Maschine (Abb. 42)

Vergewissern Sie sich, dass das Werkzeug von der Stromversorgung abgetrennt ist. Tragen Sie das Werkzeug durch Halten an dem in der Abbildung gezeigten Werkzeugteil.

ACHTUNG:

- Sichern Sie immer alle beweglichen Teile, bevor Sie das Werkzeug transportieren.
- Stellen Sie immer sicher, dass der Blattschutz angebracht ist, bevor Sie das Werkzeug transportieren.

WARTUNG

ACHTUNG:

- Schalten Sie das Werkzeug stets aus und ziehen Sie den Stecker, bevor Sie Prüfungen oder Wartungsarbeiten am Werkzeug durchführen.

HINWEIS:

- Verwenden Sie zum Reinigen niemals Kraftstoffe, Benzin, Verdünnern, Alkohol oder ähnliches. Dies kann zu Verfärbungen, Verformungen oder Rissen führen.

Reinigung

Reinigen Sie das Werkzeug regelmäßig von Sägemehl und -spänen. Reinigen Sie sorgfältig den Blattschutz und die beweglichen Teile in der Tischkreissäge.

Schmierung

Damit die Tischkreissäge in einwandfreiem Zustand bleibt und die Lebensdauer verlängert wird, ölen oder fetten Sie die beweglichen und drehbaren Teile regelmäßig.

Schmierstellen:

- Gewindest spindle zum Heben des Blattes
- Scharnier zum Drehen des Rahmens
- Führungsspindeln zum Heben am Motor
- Getriebe zum Heben des Blattes

Ersetzen der Kohlenbürsten (Abb. 43)

Entfernen und überprüfen Sie die Kohlebürsten in regelmäßigen Abständen.

Wenn diese bis auf eine Länge von 3 mm abgenutzt sind, müssen sie erneuert werden. Halten Sie die Kohlebürsten sauber und sorgen Sie dafür, dass sie locker in den Halterungen liegen.

Ersetzen Sie beide Kohlebürsten gleichzeitig. Verwenden Sie nur identische Kohlebürsten. (Abb. 44)

Verwenden Sie einen Schraubendreher, um die Bürstenhalterkappen zu entfernen. Zum Austauschen der Kohlebürsten entfernen Sie den Blattschutz und lösen Sie den Entsperrungshebel, kippen Sie den Sägekopf und sichern Sie ihn in einem Neigungswinkel von 45°. Legen Sie das Werkzeug vorsichtig auf die Rückseite. Lösen Sie dann die Bürstenhalterkappe. Entnehmen Sie die verbrauchten Kohlebürsten, legen Sie die neuen ein und bringen Sie die Bürstenhalterkappen wieder fest an.

Für die Gewährleistung des Produkts sollten Reparaturen, Wartungsarbeiten und Einstellungen nur durch von Makita autorisierte Servicecenter durchgeführt und immer Makita-Ersatzteile verwendet werden.

ZUBEHÖR

ACHTUNG:

- Die folgenden Zubehör- und Zusatzteile werden für das in diesem Handbuch beschriebene Makita-Werkzeug empfohlen. Die Verwendung anderer Zubehör- und Zusatzteile kann zu Personenschäden führen. Verwenden Sie Zubehör- und Zusatzteile nur für den vorgesehenen Zweck.

Informationen zu diesem Zubehör erhalten Sie bei einem Makita-Servicecenter in Ihrer Nähe.

- Parallelanschlag
- Gehrungsfugenlehre
- Schlüssel 24
- Sechskantschlüssel 5
- Verbindung (für Anschluss an Staubsammler)
- Gestellsatz

Schallpegel

ENG905-1

Typischer A-bewerteter Schallpegel nach EN61029:

Schalldruckpegel (L_{pA}): 92 dB (A)

Schallleistungspegel (L_{WA}): 105 dB (A)

Abweichung (K): 3 dB (A)

Tragen Sie Gehörschutz.

Nur für europäische Länder

ENH022-3

EG-Konformitätserklärung

Wir, Makita Corporation als verantwortlicher Hersteller, erklären, dass die folgenden Geräte der Marke Makita:

Bezeichnung des Geräts:

Tischkreissäge

Nummer / Typ des Modells: MLT100

in Serienfertigung hergestellt werden und

den folgenden Richtlinien der Europäischen Union genügen:

2006/42/EG

Außerdem werden die Geräte gemäß den folgenden Standards oder Normen gefertigt:

EN61029

Nummern der EG-Baumusterprüfbescheinigung: BM 50170011 0001, BM 50170011 0002

Die EG-Baumusterprüfbescheinigung wurde ausgestellt von:

TÜV RHEINLAND Product Safety GmbH Am Grauen Stein 51105

Köln – Deutschland

Kennummer der benannten Stelle: 0197

Die technische Dokumentation erfolgt durch unseren Bevollmächtigten in Europa:

Makita International Europe Ltd.,
Michigan Drive, Tongwell,
Milton Keynes, Bucks MK15 8JD, England

15. 12. 2009



Tomoyasu Kato

Direktor

Makita Corporation

3-11-8, Sumiyoshi-cho,

Anjo, Aichi, 446-8502, JAPAN

ITALIANO (Istruzioni originali)

Spiegazione della vista generale

- | | | |
|--|--|--------------------------------|
| 1. Diametro foro 8 mm | 17. Prolunga (posteriore) | 33. Leva |
| 2. Rondella standard da 6 mm | 18. Piano scorrevole | 34. Graduazione |
| 3. Vite da legno n. 10, lunghezza min. 40 mm | 19. Piastra di bloccaggio | 35. Tacca di misura |
| 4. Bullone di supporto da 6 mm e dado serrare saldamente | 20. Chiave | 36. Vite |
| 5. Spingipezzo | 21. Dado esagonale | 37. Faccia/parallela al lato |
| 6. Guida di taglio (regolo guida) | 22. Flangia interna | 38. Vite per legno |
| 7. Guida per agnatura | 23. Anello | 39. Incollare insieme |
| 8. Maniglia | 24. Lama | 40. Guida ausiliaria |
| 9. Puntatore a freccia | 25. Flangia esterna | 41. Blocco di spinta |
| 10. Levetta di blocco | 26. Coprilama | 42. Taglio trasversale |
| 11. Vite di regolazione a 90° | 27. Coltello divisorio | 43. Agnatura |
| 12. Vite di regolazione a 45° | 28. Porzione di montaggio del coprilama (sostegno) | 44. Smussatura |
| 13. Interruttore | 29. Lama | 45. Agnatura composta (angoli) |
| 14. Pulsante di riavvio | 30. Queste due aperture devono essere uguali. | 46. Manopola |
| 15. Viti | 31. Bulloni esagonali (A) | 47. Coperchio portaspazzola |
| 16. Prolunga (R) | 32. Bulloni esagonali | 48. Cacciavite |

CARATTERISTICHE TECNICHE

Modello		MLT100	
		(per i paesi europei)	(per i paesi non europei)
Foro dell'asta		30 mm	25 mm e 25,4 mm
Diametro lama		260 mm	255 mm
Capacità massima di taglio	90°	93 mm	90,5 mm
	45°	64 mm	63 mm
Velocità a vuoto (min ⁻¹)		4.300	
Dimensione piano (L x P)		(685 mm - 835 mm) x (955 mm - 1.305 mm) con le prolunghe (R) e (posteriore)	(685 mm - 835 mm) x (955 mm - 1.305 mm) con le prolunghe (R) e (posteriore)
Dimensioni (L x P x H) con prolunghe non estese		726 mm x 984 mm x 333 mm con le prolunghe (R) e (posteriore)	726 mm x 984 mm x 333 mm con le prolunghe (R) e (posteriore)
Peso netto		34,1 kg	34,1 kg
Classe di sicurezza			

- Le caratteristiche tecniche riportate di seguito sono soggette a modifiche senza preavviso in virtù del nostro programma continuo di ricerca e sviluppo.
- Le caratteristiche tecniche possono differire da paese a paese.
- Peso determinato in conformità con la EPTA-Procedure 01/2003

Simboli

END215-3

Il seguente elenco riporta i simboli utilizzati per questo utensile. È importante comprenderne il significato prima di utilizzare l'utensile.



..... Leggere il manuale di istruzioni.



..... ISOLAMENTO DOPPIO



..... Indossare occhiali di protezione.



..... Evitare di porre le mani o le dita in prossimità della lama.

Uso previsto

ENE003-1

L'utensile è progettato per il taglio del legno.

Alimentazione

ENF002-1

L'utensile deve essere collegato a una presa di corrente con la stessa tensione di quella indicata sulla targhetta e può funzionare soltanto con corrente alternata monofase. L'utensile è dotato di doppio isolamento in osservanza alle norme europee, pertanto può essere usato anche con prese di corrente sprovviste della messa a terra.

Avvertenze generali di sicurezza per l'uso dell'utensile

GEA010-1

AVVERTENZA Leggere attentamente tutte le avvertenze di sicurezza e le istruzioni. La mancata osservanza delle istruzioni e delle avvertenze riportate di

seguito potrebbe provocare scosse elettriche, incendi e/o lesioni gravi.

Conservare le avvertenze e le istruzioni per riferimenti futuri.

REGOLE DI SICUREZZA AGGIUNTIVE PER L'UTENSILE

ENB095-1

CONSERVARE QUESTE ISTRUZIONI.

1. Indossare una protezione visiva.
2. Non utilizzare l'utensile in presenza di liquidi o gas infiammabili.
3. Non usare MAI l'utensile con una lama da taglio abrasiva installata.
4. Prima dell'uso verificare lo stato della lama, accertandosi che non vi siano crepe o danni. Sostituire immediatamente la lama che presenta crepe o danni.
5. Usare solo lame da taglio raccomandate dal fornitore e conformi alla norma EN847-1 e assicurarsi che il coltello divisorio non sia più spesso della larghezza del taglio della lama né più sottile del corpo della lama.
6. Utilizzare esclusivamente gli accessori indicati nel presente manuale. L'impiego di accessori non corretti, quali dischi da taglio abrasivi, può provocare infortuni.
7. Scegliere la lama corretta in relazione al materiale da tagliare.
8. Non utilizzare lame prodotte con acciaio rapido.
9. Per ridurre il rumore emesso, assicurarsi che la lama sia sempre affilata e pulita.
10. Utilizzare lame correttamente affilate. Rispettare la velocità massima indicata sulla lama.
11. Pulire l'albero, le flange (specialmente la superficie di installazione) e il dado esagonale prima di montare la lama. Un'installazione scorretta può causare vibrazioni, oscillazioni o lo slittamento della lama.
12. Usare il coprilama e il coltello divisorio per ogni lavorazione in cui possano essere usati, inclusi tutti i tagli passanti. Montare sempre il coprilama seguendo le istruzioni del presente manuale. Le lavorazioni di taglio passanti sono quelle in cui la lama passa completamente attraverso il pezzo in lavorazione, come nel taglio longitudinale e trasversale. Non usare MAI l'utensile con un coprilama danneggiato o fissato con una corda, uno spago, ecc. Ogni funzionamento anomalo del coprilama deve essere corretto immediatamente.
13. Rimontare immediatamente il coprilama e il coltello divisorio dopo ogni lavorazione che richieda la rimozione.
14. Non tagliare oggetti metallici come chiodi e viti. Prima della sessione di lavoro, controllare e rimuovere tutti i chiodi, le viti e altri materiali estranei dal pezzo in lavorazione.
15. Prima di avviare l'utensile rimuovere dal piano chiavi, pezzi tagliati, ecc.
16. Non indossare MAI guanti durante le lavorazioni.
17. Tenere le mani lontane dalla linea di taglio della lama.
18. Non sostare MAI, né permettere ad altri di sostare, allineati con il percorso della lama.
19. Verificare che la lama non tocchi il coltello divisorio o il pezzo in lavorazione prima che l'interruttore sia acceso.
20. Prima di usare l'utensile, lasciarlo funzionare a vuoto per qualche minuto. Prestare attenzione a vibrazioni e oscillazioni, che potrebbero indicare difetti di installazione o che la lama è mal bilanciata.
21. L'utensile non deve essere usato per lavorazioni di fenditura, tassellatura o scanalatura.
22. Sostituire l'inserito del piano una volta usurato.
23. Non fare MAI regolazioni mentre l'utensile è in funzione. Prima di fare qualunque regolazione, scollegare l'utensile.
24. Usare uno spingipezzo quando necessario. Gli spingipezzo DEVONO essere usati nel taglio di piccoli pezzi, per mantenere mani e dita fuori dalla portata della lama.
25. Riporre sempre lo spingipezzo quando non viene utilizzato.
26. Porre particolare attenzione alle istruzioni per ridurre il rischio di CONTRACCOLPI. Il CONTRACCOLPO è una reazione improvvisa causata da una lama incastrata, bloccata o disallineata. Il CONTRACCOLPO causa l'espulsione del pezzo in lavorazione dall'utensile in direzione dell'operatore. I CONTRACCOLPI POSSONO CAUSARE GRAVI LESIONI PERSONALI. Evitare i CONTRACCOLPI mantenendo la lama affilata, tenendo la guida di taglio parallela alla lama, avendo cura che il coprilama e il coltello divisorio siano montati e correttamente funzionanti, non sbloccando il pezzo in lavorazione prima di averlo allontanato completamente dalla lama e non tagliando un pezzo che si presenti attorcigliato, deformato o che non abbia uno spigolo rettilineo per poterlo scorrere lungo la guida.
27. Non eseguire alcuna operazione a mani nude. A mani nude significa usare le mani per sostenere o guidare il pezzo in lavorazione, invece di una guida di taglio o per agnatura.
28. Non rimanere MAI in prossimità o sopra la lama. Non toccare MAI il pezzo in lavorazione prima che la lama si sia arrestata completamente.
29. Evitare di procedere bruscamente o troppo velocemente. Procedere il più lentamente possibile durante il taglio di pezzi duri. Non piegare o torcere il pezzo durante la lavorazione. Nel caso in cui la lama si incastri o si blocchi nel pezzo, spegnere immediatamente l'utensile. Scollegare l'utensile, quindi risolvere il blocco.
30. Non rimuovere MAI i pezzi tagliati in prossimità della lama, né toccare il coprilama mentre la lama è in funzione.
31. Eliminare ogni nodo cascante dal pezzo in lavorazione PRIMA di iniziare il taglio.

32. **Non torcere il cavo. Non stratonare il cavo per scollegarlo dalla presa. Mantenere il cavo lontano da calore, olio, acqua e bordi taglienti.**
33. **Alcune polveri prodotte durante l'impiego contengono componenti chimici che provocano il cancro, difetti di nascita e altri danni riproduttivi. Tra tali sostanze rientrano:**
- **Piombo derivante da materiali trattati con vernici al piombo.**
 - **Arsenico e cromo derivanti da legname trattato chimicamente.**
 - **Il rischio relativo a tali esposizioni varia in funzione della frequenza della specifica attività. Per ridurre l'esposizione a tali sostanze chimiche: lavorare in un'area ben ventilata utilizzando i dispositivi di sicurezza approvati, ad esempio le maschere antipolvere appositamente progettate per filtrare particelle microscopiche.**
34. **Durante le operazioni, collegare l'utensile a un dispositivo per la raccolta della polvere.**
35. **Il coprilama può essere sollevato durante il fissaggio del pezzo in lavorazione e per agevolare le operazioni di pulizia. Prima di collegare l'utensile assicurarsi sempre che il coprilama sia abbassato e aderente al piano di taglio.**

CONSERVARE QUESTE ISTRUZIONI.

INSTALLAZIONE

Posizionamento della sega da tavolo (Fig. 1 - 3)

Collocare la sega da tavolo su una superficie livellata e bene illuminata, in cui si possa mantenere una buona presa a terra e un buon equilibrio. Dovrebbe essere installata in una posizione in cui vi sia abbastanza spazio per maneggiare comodamente i pezzi in lavorazione. La sega deve essere fissata con quattro viti o bulloni al tavolo di lavoro o al supporto, mediante i fori presenti sul fondo della sega stessa. Fissando la sega al piano di lavoro, assicurarsi che su tale piano vi sia un'apertura delle stesse dimensioni di quella presente sul fondo della sega, in modo che possa essere eliminata la segatura. Se durante la lavorazione si osserva la tendenza della sega a rovesciarsi, a scorrere o a spostarsi, occorrerà fissare al pavimento il tavolo da lavoro o il supporto della sega.

Conservazione degli accessori (Fig. 4 e 5)

Lo spingipezzo, la riga triangolare, la lama e le chiavi possono essere riposte sul lato sinistro della base, mentre la guida di taglio e quella per agnatura possono essere riposte sul lato destro della base.

DESCRIZIONE FUNZIONALE

ATTENZIONE:

- Prima di regolare o controllare le funzioni dell'utensile, verificare sempre di averlo spento e scollegato dall'alimentazione.

Regolazione della profondità di taglio (Fig. 6)

La profondità di taglio deve essere regolata ruotando la maniglia. Ruotare la maniglia in senso orario per sollevare la lama, in senso antiorario per abbassarla.

NOTA:

- per ottenere un taglio più netto in materiali sottili, usare una regolazione poco profonda.

Regolazione dell'angolo di smusso (Fig. 7)

Rilasciare la levetta di blocco in senso antiorario e ruotare la manovella fino a raggiungere l'angolo desiderato (fra 0 e 45°).

L'angolo di smusso è indicato dal puntatore a freccia. Dopo avere ottenuto l'angolo desiderato, stringere la levetta di blocco in senso orario per bloccare la regolazione.

ATTENZIONE:

- Dopo avere regolato l'angolo di smusso, assicurarsi di stringere a fondo la levetta di blocco.

Regolazione dei fermi positivi (Fig. 8 e 9)

L'utensile è dotato di fermi positivi a 90° e a 45° rispetto al piano. Per controllare e regolare i fermi positivi, procedere come segue:

Spostare il più possibile la manovella, ruotandola. Porre una riga triangolare sul piano e verificare se la lama sia disposta a 90° o a 45° rispetto al piano. Se la lama si trova a un angolo mostrato in Fig. A, ruotare le viti di regolazione in senso orario; se si trova a un angolo mostrato in Fig. B, ruotare le viti di regolazione in senso antiorario per regolare i fermi positivi.

Dopo avere regolato i fermi positivi, regolare la lama a 90° rispetto al piano. Quindi regolare il puntatore a freccia in modo che il suo lato destro sia allineato alla tacca degli 0°. (Fig. 10)

Azionamento dell'interruttore

ATTENZIONE:

- Rimuovere il pezzo in lavorazione dal tavolo.
- Spegner l'utensile, quindi premere il pulsante di riavvio.
- Prima di collegare l'utensile, verificare che sia spento.

Per utensili con interruttore di tipo a pulsante (Fig. 11)

Per avviare l'utensile, premere il pulsante (I) ON
Per arrestarlo, premere il pulsante (O) OFF

Per utensili con interruttore di tipo a leva (Fig. 12)

Per avviare l'utensile, alzare la leva dell'interruttore. Per arrestarlo, abbassare la leva.

Prolunga (R) (Fig. 13 e 14)

Questo utensile è provvisto di prolunga (R) sul lato destro del piano principale. Per usare la prolunga (R), allentare le due viti poste sul lato destro, in senso antiorario, estrarre completamente il piano (R) e quindi stringere di nuovo le due viti per bloccarlo.

Prolunga (posteriore) (Fig. 15)

Per utilizzare la prolunga posteriore, allentare le viti sulle parti sinistra e destra sotto il piano ed estrarla fino a

raggiungere la lunghezza desiderata. Alla lunghezza desiderata, serrare saldamente le viti.

Piano scorrevole (Fig. 16)

ATTENZIONE:

- dopo avere utilizzato il piano scorrevole, assicurarsi di bloccarlo mettendo la piastra di blocco in posizione verticale.

Questo utensile è provvisto di piano scorrevole sul lato sinistro.

Questo piano scorre avanti e indietro. Girare le piastre di blocco sui lati anteriore e posteriore in posizione orizzontale prima di usarlo.

Reggere saldamente il pezzo in lavorazione con la guida per agnatura usando il morsetto di cui è dotata e scorrere il pezzo insieme al piano scorrevole nel momento del taglio.

MONTAGGIO

ATTENZIONE:

- accertarsi sempre che l'utensile sia spento e scollegato dall'alimentazione prima di iniziare qualsiasi operazione su di esso.

L'utensile viene consegnato con la lama e il coprilama non installati. Per l'installazione seguire le istruzioni seguenti:

Montaggio e smontaggio della lama

ATTENZIONE:

- prima di montare o smontare la lama accertarsi sempre che l'utensile sia spento e scollegato dall'alimentazione.
- Per installare o rimuovere la lama utilizzare solo la chiave a bussola fornita da Makita. In caso contrario il bullone esagonale potrebbe risultare troppo stretto oppure allentato. Questo può essere causa di incidenti.
- Usare la lama seguente. Non utilizzare lame che non risultano conformi alle caratteristiche specificate in queste istruzioni.

Per il modello	Diam. max.	Diam. min.	Spessore della lama	Taglio
MLT100	260 mm	230 mm	1,8 mm o meno	2 mm o più

ATTENZIONE:

- Prima di installare la lama controllare il diametro del foro dell'asta. Usare sempre l'anello adatto per il foro dell'asta della lama che si intende usare. (Fig. 17)

Rimuovere l'insero del piano. Trattene la flangia esterna con la chiave e allentare il dado esagonale in senso antiorario con la chiave. Rimuovere quindi la flangia esterna. (Fig. 18)

Montare la flangia interna, l'anello, la lama, la flangia esterna e il dado esagonale sull'asta, assicurandosi che i denti della lama siano rivolti verso il basso sulla parte frontale del piano.

Montare sempre il dado esagonale con il lato incavato rivolto verso la flangia esterna.

Per tutti i paesi non europei

ATTENZIONE:

- L'anello con diametro esterno di 25,4 mm è installato in fabbrica sul mandrino.

Per i paesi europei

ATTENZIONE:

- L'anello con il diametro esterno di 30 mm è installato in fabbrica fra la flangia interna e quella esterna.
- Mantenere la superficie della flangia libera da polvere o altri materiali aderenti, che potrebbero causare lo slittamento della lama. Assicurarsi che la lama sia installata in modo che i denti siano allineati alla direzione di taglio (rotazione).

Per fissare la lama, trattenere la flangia esterna con la chiave a pipa, quindi stringere il dado esagonale in senso orario mediante la chiave. ACCERTARSI DI AVER FISSATO SALDAMENTE IL DADO ESAGONALE.

(Fig. 19)

ATTENZIONE:

- assicurarsi di trattenere saldamente il dado esagonale con la chiave. Se la presa dovesse mancare, la chiave potrebbe estrarre il dado esagonale, e la mano potrebbe urtare il bordo affilato della lama.

Installazione del coprilama (Fig. 20 e 21)

ATTENZIONE:

- prima di installare il coprilama, regolare la profondità di taglio al suo valore massimo.

Per coprilama di tipi non europei

Rimuovere la copertura centrale. Inserire il coltello divisorio nella porzione di montaggio del coprilama (sostegno). Stringere i bulloni esagonali (A) con la chiave in dotazione.

Per coprilama di tipo europeo (Fig. 22 e 23)

Rimuovere la copertura centrale. Inserire il coltello divisorio nella porzione di montaggio del coprilama (sostegno). Stringere i bulloni esagonali (A) con la chiave in dotazione.

Porre il coprilama nella scanalatura sul coltello divisorio. Fissare il coprilama girando la levetta sul coprilama stesso.

Per coprilama di tipi sia europeo che non-europeo

La posizione di montaggio del coltello divisorio è regolata in fabbrica in modo che coltello e lama siano allineati.

Tuttavia, nel caso in cui non siano allineati, allentare i bulloni esagonali (B) e regolare la porzione di montaggio del coprilama (supporto) in modo che il coltello divisorio sia allineato direttamente dietro la lama. Quindi stringere i bulloni esagonali (B) per fissare il supporto. (Fig. 24)

ATTENZIONE:

- se la lama e il coltello non sono correttamente allineati, nel corso della lavorazione potrebbero verificarsi pericolose condizioni di pizzicamento. Assicurarsi che siano allineati correttamente. Il non corretto allineamento del coltello divisorio può essere causa di gravi lesioni personali durante l'uso dell'utensile.
- Non fare MAI regolazioni mentre l'utensile è in funzione. Prima di fare qualunque regolazione, scollegare l'utensile dall'alimentazione.
- Non rimuovere il coltello divisorio. (Fig. 25)

Fra il coltello divisorio e i denti della lama deve esistere uno spazio di circa 4-5 mm. Allentare i bulloni esagonali (A), regolare il coltello divisorio come necessario e serrare saldamente i bulloni esagonali (A). Collegare l'inserito sul piano, quindi, prima di tagliare, verificare che il coprilama funzioni correttamente.

Installazione e regolazione della guida di taglio (Fig. 26)

Installare la guida di taglio in modo che il supporto della guida si incastri nel binario di guida più vicino.

Per fissare la guida di taglio, girare completamente la levetta sul supporto della guida stessa.

Per assicurarsi che la guida di taglio sia parallela alla lama, fissare la guida a una distanza di 2-3 mm della lama.

Sollevarre la lama fino all'altezza massima. Segnare con del gesso uno dei denti della lama. Misurare la distanza (A) e (B) fra la guida di taglio e la lama. Effettuare entrambe le misure usando il dente segnato con il gesso. Queste due misure devono essere identiche. Se la guida di taglio non è parallela alla lama, procedere come segue: (Fig. 27 e 28)

1. Fissare la guida di taglio abbassando la levetta che si trova su di essa.
2. Allentare i due bulloni esagonali sulla guida di taglio, mediante la chiave esagonale in dotazione.
3. Regolare la guida di taglio fino a che sia parallela alla lama.
4. Stringere i due bulloni esagonali sulla guida di taglio. (Fig. 29)

ATTENZIONE:

- assicurarsi di regolare la guida di taglio in modo che sia parallela alla lama: in caso contrario potrebbero verificarsi pericolosi contraccolpi.

Portare la guida di taglio a ricordarsi con il lato della lama. Assicurarsi che la tacca di misura sul supporto della guida punti al valore 0. In caso contrario, allentare la vite sulla piastra della scala per regolarla. (Fig. 30)

Collegamento all'aspirapolvere (Fig. 31)

Le operazioni di pulizia possono essere effettuate collegando l'utensile a un aspirapolvere o un raccoglitore di polveri Makita.

USO

ATTENZIONE:

- usare sempre degli ausili, come spingipezzo o blocchi di spinta, quando sussiste il pericolo che le mani o le dita si avvicinino alla lama.
- Trattenere sempre saldamente il pezzo in lavorazione sul piano mediante la guida di taglio o la guida per agnatura. Non piegare o torcere il pezzo durante la lavorazione. Se il pezzo in lavorazione è piegato o distorto si possono verificare pericolosi contraccolpi.
- Non estrarre MAI il pezzo mentre la lama è in funzione. Se occorre estrarre il pezzo prima del termine di un taglio, spegnere prima l'utensile, trattenendo saldamente il pezzo. Prima di estrarre il pezzo attendere che la lama si sia arrestata completamente. La mancata osservanza di questa precauzione può causare pericolosi contraccolpi.

- Non rimuovere MAI il materiale tagliato mentre la lama è in funzione.
- Non porre MAI le mani o le dita lungo il percorso della lama. Prestare particolare attenzione nella lavorazione di smussature.
- Fissare sempre saldamente la guida di taglio, per evitare pericolosi contraccolpi.
- Usare sempre "ausili per il lavoro" come spingipezzo e blocchi di spinta nella lavorazione di pezzi stretti o di piccole dimensioni.

Ausili per il lavoro

Spingipezzo, blocchi di spinta o guide ausiliarie sono vari tipi di "ausili per il lavoro". Essi permettono di effettuare tagli in modo sicuro, impedendo che qualunque parte del corpo dell'operatore entri a contatto con la lama.

Blocco di spinta (Fig. 32)

Usare un pezzo di compensato da 19 mm. L'impugnatura deve essere al centro del pezzo di compensato. Fissare con colla e viti per legno, come illustrato. Per impedire alla lama di smussarsi se taglia per errore il blocco di spinta, occorre incollare al compensato un piccolo pezzo di legno da 9,5 mm x 8 mm x 50 mm (Non usare mai chiodi nel blocco di spinta).

Guida ausiliaria (Fig. 33)

Costruire una guida ausiliaria con pezzi di compensato da 9,5 mm e da 19 mm.

Taglio longitudinale

ATTENZIONE:

- Nel taglio longitudinale, rimuove dal piano la guida per agnatura.
 - Predisporre un supporto adeguato dietro il piano durante il taglio di pezzi lunghi o di grandi dimensioni. NON permettere a una tavola lunga di muoversi o scivolare sul piano. Questo causerà il blocco della lama e aumenterà la probabilità di contraccolpi e lesioni personali. Il supporto deve essere alla stessa altezza del piano.
1. Regolare la profondità di taglio a un valore un po' più grande dello spessore del pezzo in lavorazione. (Fig. 34)
 2. Posizionare la guida di taglio per la larghezza desiderata del taglio, e bloccarla girando la maniglia.
 3. Avviare l'utensile e spingere delicatamente il pezzo verso la lama, lungo la guida di taglio.
 - (1) Quando la larghezza del taglio è di 150 mm o superiore, usare con cautela la mano destra per guidare il pezzo. Usare la mano sinistra per tenere in posizione il pezzo contro la guida di taglio. (Fig. 35)
 - (2) Quando la larghezza di taglio è di 65 - 150 mm, usare lo spingipezzo per spingere il pezzo in lavorazione. (Fig. 36)
 - (3) Quando la larghezza del taglio è minore di 65 mm, lo spingipezzo non può essere usato, perché urterebbe il coprilama. Usare allora la guida ausiliaria e il blocco di spinta. Collegare la guida ausiliaria a quella di taglio con due morsetti a "C". (Fig. 37)
- Spingere il pezzo a mano fino a che l'estremità arriva a circa 25 mm dal lato frontale del piano. Continuare a

spingere usando il blocco di spinta sopra la guida ausiliaria, fino al completamento del taglio. (Fig. 38)

Taglio trasversale

ATTENZIONE:

- per effettuare tagli trasversali rimuovere la guida di taglio dal piano.
- Predisporre un supporto adeguato ai lati del piano durante il taglio di pezzi lunghi o di grandi dimensioni. Il supporto deve essere alla stessa altezza del piano.
- Tenere sempre le mani lontane dalla lama.

Guida per augnature (Fig. 39)

La guida per augnature consente di realizzare i 4 tipi di taglio illustrati nella figura.

ATTENZIONE:

- serrare con attenzione la manopola sulla guida per augnature.
- Evitare la deformazione del pezzo e della guida serrando saldamente, specialmente nel taglio ad angolo.
- NON afferrare o tenere la parte residua del pezzo prodotta dal taglio.
- Regolare sempre la distanza tra l'estremità della guida per augnature e la lama, in modo che non superi i 15 mm.

Uso della guida per augnature (Fig. 40)

Far scorrere la guida per augnature nelle scanalature spesse del banco. Allentare la manopola sulla guida e impostare l'angolo desiderato, compreso tra 0° e 60°. Raccordare il pezzo contro la guida e il piano, fissarlo con il morsetto della guida per augnature e spingerlo delicatamente verso la lama.

Protezione aggiuntiva in legno per la guida per augnature (Fig. 41)

Per impedire che una tavola di grandi dimensioni possa oscillare, utilizzare questa protezione. Dopo aver praticato i fori, fissare con bulloni e dadi prestando attenzione per evitare che fuoriescano dalla superficie del banco.

Trasporto dell'utensile (Fig. 42)

Accertarsi che l'utensile sia scollegato dall'alimentazione. Trasportare l'utensile utilizzando la parte mostrata nella figura.

ATTENZIONE:

- bloccare tutte le parti mobili prima di trasportare l'utensile.
- Assicurarsi che il coprilama sia montato correttamente prima di trasportare l'utensile.

MANUTENZIONE

ATTENZIONE:

- prima di effettuare controlli e operazioni di manutenzione, verificare sempre che l'utensile sia spento e scollegato dall'alimentazione.

AVVISO:

- Evitare assolutamente di usare benzina, diluenti, solventi, alcol o sostanze simili. In caso contrario, potrebbero verificarsi scoloriture, deformazioni o incrinature.

Pulizia

Eliminare la segatura e i trucioli periodicamente. Pulire con attenzione il coprilama e le parti mobili all'interno dell'utensile.

Lubrificazione

Per mantenere la sega da tavolo in buone condizioni e per garantire la massima durata di servizio, oliare o ingrassare le parti in movimento e in rotazione periodicamente.

Punti di lubrificazione:

- Albero filettato per il sollevamento della lama
- Cerniera per la rotazione del telaio
- Alberi guida di sollevamento sul motore
- Ingranaggi di sollevamento della lama

Sostituzione delle spazzole di carbone (Fig. 43)

Rimuovere e controllare periodicamente le spazzole di carbone.

Sostituirle quando siano usurate fino a una lunghezza di 3 mm. Mantenere le spazzole di carbone pulite e libere per farle slittare nei supporti.

Entrambe le spazzole di carbone devono essere sostituite contemporaneamente. Utilizzare solo spazzole di carbone identiche. (Fig. 44)

Rimuovere i coperchi dei portaspazzola con un cacciavite. Per sostituire le spazzole, rimuovere il coprilama e la lama, quindi allentare la levetta di blocco, inclinare la testa della sega e fissarla a un angolo di smusso di 45°.

Appoggiare delicatamente l'utensile sulla parte posteriore. Allentare il coperchio del portaspazzola. Rimuovere le spazzole di carbone consumate, inserire le nuove spazzole e fissare i coperchi dei portaspazzola.

Per mantenere la SICUREZZA e l'AFFIDABILITÀ del prodotto, le riparazioni e qualsiasi altra operazione di manutenzione o regolazione devono essere eseguiti dai centri di assistenza autorizzati Makita utilizzando sempre parti di ricambio Makita.

ACCESSORI

ATTENZIONE:

- si raccomanda di usare questi accessori per l'utensile Makita descritto in questo manuale. L'uso di qualsiasi altro accessorio potrebbe provocare lesioni personali. Utilizzare gli accessori esclusivamente per l'uso dichiarato.

Per l'assistenza e ulteriori informazioni su tali accessori, rivolgersi al centro di assistenza Makita più vicino.

- Guida di taglio
- Guida per augnature
- Chiave da 24
- Chiave esagonale da 5
- Giunto (per il collegamento del raccogliore di polveri)
- Set supporto

Rumore

ENG905-1

Il tipico livello di rumore ponderato "A" è determinato in conformità con la norma EN61029:

Livello di pressione sonora (L_{pA}): 92 dB (A)

Livello di potenza sonora (L_{WA}): 105 dB (A)

Variazione (K): 3 dB (A)

Indossare una protezione acustica.

Solo per i paesi europei

ENH022-3

Dichiarazione di conformità CE

Makita Corporation, in qualità di produttore responsabile, dichiara che le macchine Makita indicate di seguito:

Denominazione della macchina:

Sega da tavolo

N. modello/Tipo: MLT100

appartengono a una produzione in serie e

sono conformi alle seguenti direttive europee:

2006/42/EC

Sono inoltre prodotte in conformità con gli standard o i

documenti standardizzati riportati di seguito:

EN61029

Esame Certificazione CE N. BM 50170011 0001, BM

50170011 0002

Esame Certificazione CE eseguito da:

TÜV RHEINLAND Product safety GmbH Am Grauen

Stein 51105

Köln, Germania

N. di identificazione 0197

La documentazione tecnica viene conservata dal

rappresentante autorizzato in Europa, ovvero:

Makita International Europe Ltd.

Michigan Drive, Tongwell,

Milton Keynes, Bucks MK15 8JD, Inghilterra

15. 12. 2009



Tomoyasu Kato

Direttore

Makita Corporation

3-11-8, Sumiyoshi-cho,

Anjo, Aichi, 446-8502, JAPAN

NEDERLANDS (Originele instructies)

Verklaring van algemene gegevens

1. Diameter van gat 8 mm	17. Hulptafel (achter)	33. Hendel
2. 6 mm standaardring	18. Schuiftafel	34. Schaal
3. Hout Schroef nr. 10, min. lengte 40 mm	19. Vergrendelplaatje	35. Geleidelijn
4. Bevestigingsbout en -moer van 6 mm, goed aangedraaid	20. Steeksleutel	36. Schroef
5. Duwstok	21. Zeskantmoer	37. Bovenkant/onderkant parallel
6. Breedtegeleider (liniaal)	22. Binnenflens	38. Hout Schroef
7. Verstekgeleider	23. Ring	39. Vastlijmen
8. Draaihendel	24. Zaagblad	40. Hulpgeleider
9. Pijltje	25. Buitenflens	41. Duwblok
10. Vastzethendel	26. Beschermkap	42. Afkorten
11. 90° stelschroef	27. Spouwmes	43. Horizontaal verstekzagen
12. 45° stelschroef	28. Montagegedeelte (steun) van beschermkap	44. Verticaal verstekzagen
13. Hefboomschakelaar	29. Zaagblad	45. Samengesteld verstekzagen (horizontale en verticale hoeken)
14. Herstartknop	30. Deze twee spellingen moeten gelijk zijn.	46. Knop
15. Draaiknoppen	31. Inbusbouten (A)	47. Koolborsteldop
16. Hulptafel (rechts)	32. Inbusbouten	48. Schroevendraaier

TECHNISCHE GEGEVENS

Model	MLT100	
	(voor Europese landen)	(voor niet-Europese landen)
Asgat	30 mm	25 mm en 25,4 mm
Diameter zaagblad	260 mm	255 mm
Max. zaagdikte	90°	93 mm
	45°	64 mm
Nullasttoerental (min ⁻¹)	4.300	
Tafelafmetingen (l x b)	(685 mm - 835 mm) x (955 mm - 1.305 mm) met hulptafels (rechts) en (achter)	(685 mm - 835 mm) x (955 mm - 1.305 mm) met hulptafels (rechts) en (achter)
Afmetingen (l x b x h) met tafel(s) niet uitgetrokken	726 mm x 984 mm x 333 mm met hulptafels (rechts) en (achter)	726 mm x 984 mm x 333 mm met hulptafels (rechts) en (achter)
Netto gewicht	34,1 kg	34,1 kg
Veiligheidsklasse	II	

- Als gevolg van ons doorlopende onderzoeks- en ontwikkelingsprogramma, zijn de technische gegevens van dit gereedschap onderhevig aan veranderingen zonder voorafgaande kennisgeving.
- De technische gegevens kunnen van land tot land verschillen.
- Gewicht volgens EPTA-procedure 01/2003

Symbolen

END215-3

Hieronder staan de symbolen die voor dit gereedschap worden gebruikt. Zorg ervoor dat u weet wat ze betekenen alvorens het gereedschap te gebruiken.



..... Lees de gebruiksaanwijzing.



..... DUBBEL GEÏSOLEERD



..... Draag een veiligheidsbril.



..... Houdt handen en vingers uit de buurt van het zaagblad.

Gebruiksdoel

ENE003-1

Het gereedschap is bedoeld om hout te zagen.

Voeding

ENF002-1

Het gereedschap mag uitsluitend worden aangesloten op een voeding met dezelfde spanning als aangegeven op het identificatieplaatje en werkt alleen op enkele-fase wisselstroom. Het gereedschap is dubbel geïsoleerd volgens de Europese norm en mag derhalve ook op een niet-geaard stopcontact worden aangesloten.

Algemene veiligheidswaarschuwingen voor elektrisch gereedschap

GEA010-1

⚠ WAARSCHUWING Lees alle veiligheidswaarschuwingen en alle instructies. Het

niet volgen van de waarschuwingen en instructies kan leiden tot elektrische schokken, brand en/of ernstig letsel.

Bewaar alle waarschuwingen en instructies om in de toekomst te kunnen raadplegen.

AANVULLENDE VEILIGHEIDSVORSCHRIFTEN VOOR GEREEDSCHAP

ENB095-1

BEWAAR DEZE INSTRUCTIES

1. Draag oogbescherming.
2. Gebruik het gereedschap niet in de buurt van ontvlambare vloeistoffen of gassen.
3. Gebruik het gereedschap **NOOIT** met een doorslijpschijf erop gemonteerd.
4. Controleer **vóór** het gebruik het zaagblad zorgvuldig op barsten of beschadiging. Vervang een gebarsten of beschadigde zaagblad meteen.
5. Gebruik alleen zaagbladen die aanbevolen worden door de fabrikant en die voldoen aan de norm EN847-1, en let erop dat het spouwmes niet dikker is dan de zaagbreedte van het zaagblad en niet dunner is dan het zaagblad zelf.
6. Gebruik altijd de accessoires die in deze gebruiksaanwijzing aanbevolen worden. Gebruik van ongeschikte accessoires, zoals slijpschijven, kan tot letsel leiden.
7. Kies voor het materiaal, dat u wilt bewerken, het geschikte zaagblad.
8. Zaagbladen van hooggelegeerd snelstaal (HSS) mogen niet worden gebruikt.
9. Om het geluidsniveau te verlagen, zorgt u er altijd voor dat het zaagblad scherp en schoon is.
10. Gebruik een zaagblad dat op de juiste wijze geslepen is. Houd u aan de maximale snelheid aangegeven op het zaagblad.
11. Reinig de as, de flenzen (vooral het montagevlak) en de zeskantmoer voordat u het zaagblad monteert. Gebrekkige montage kan trilling/schommeling of slippen van het zaagblad veroorzaken.
12. Gebruik de beschermkap en het spouwmes voor elk soort werk waarvoor deze kunnen worden gebruikt, inclusief alle doorzaagactiviteiten. Monteer altijd de beschermkap volgens de instructies beschreven in deze gebruiksaanwijzing. Doorzaagactiviteiten zijn activiteiten waarbij het zaagblad het werkstuk helemaal doorzaagt, zoals bij schulpen of afkorten. Gebruik het gereedschap **NOOIT** met een defecte beschermkap en maak de beschermkap nooit vast door middel van een touw, een koord e.d. Elke abnormale werking van de beschermkap moet onmiddellijk worden gerepareerd.
13. Monteer onmiddellijk weer de beschermkap en het spouwmes, na het voltooiën van de activiteit waarvoor demontage van de beschermkap noodzakelijk was.
14. Zaag niet in metalen voorwerpen zoals spijkers en schroeven. Inspecteer het werkstuk en verwijder alle spijkers, schroeven en andere dingen die er niet thuis horen, voordat u met het zagen begint.
15. Verwijder sleutels, afgezaagde stukken e.d. van het tafelblad voordat u het gereedschap inschakelt.
16. Draag **NOOIT** handschoenen tijdens het bedienen van het gereedschap.
17. Houd uw handen uit de buurt van de looplijn van het zaagblad.
18. Sta **NOOIT** in het verlengde van de zaaglijn van het zaagblad, en laat niet toe dat iemand anders daar gaat staan.
19. Zorg ervoor dat het zaagblad het spouwmes of het werkstuk niet raakt voordat u het gereedschap hebt ingeschakeld.
20. Laat het gereedschap een tijdje draaien voordat u het werkstuk gaat zagen. Controleer op trillingen of schommelingen die op onjuiste montage of een slecht uitgebalanceerd zaagblad kunnen wijzen.
21. Het gereedschap mag niet gebruikt worden voor elke vorm van freeswerk.
22. Vervang het inzetstuk als deze gesleten is.
23. Verander **NOOIT** de instelling van het gereedschap als deze ingeschakeld is. Haal de stekker uit het stopcontact voordat u de instellingen verandert.
24. Gebruik indien nodig een duwstok. Een duwstok **MOET** worden gebruikt voor het schulpen van smalle werkstukken, zodat uw handen en vingers op veilige afstand van het zaagblad blijven.
25. Berg de duwstok altijd op als deze niet wordt gebruikt.
26. Schenk speciale aandacht aan de voorzorgsmaatregelen voor het voorkomen van **TERUGSLAG**. **TERUGSLAG** is een plotselinge reactie op een beknelde, vastgelopen of niet-uitgelijnd zaagblad. **TERUGSLAG** leidt ertoe dat het werkstuk van het gereedschap wordt weggeslingerd in de richting van de gebruiker. **TERUGSLAG KAN LEIDEN TOT ERNSTIG PERSOONLIJK LETSEL**. Voorkom **TERUGSLAG** door de volgende voorzorgsmaatregelen in acht te nemen: Gebruik altijd een goed aangescherpt zaagblad. Houd de breedtegeleider evenwijdig met het zaagblad. Houd het spouwmes, de vingers voor terugslagbeveiliging en de beschermkap op hun plaats gemonteerd en zorg ervoor dat deze naar behoren werken. Laat het werkstuk niet los totdat u het helemaal voorbij het zaagblad hebt geduwd. Schulp geen werkstuk dat verbogen of kromgetrokken is of geen rechte rand heeft die langs de geleider kan worden geplaatst.
27. Zaag nooit uit de vrije hand. "Uit de vrije hand" betekent dat in plaats van de verstekgeleider of de breedtegeleider u uw handen gebruikt om het werkstuk te ondersteunen of te geleiden.
28. Reik **NOOIT** rond of over het zaagblad. Reik **NOOIT** naar een werkstuk voordat het zaagblad volledig tot stilstand is gekomen.
29. Vermijd bruusk en snel aanvoeren van het werkstuk. Voer harde werkstukken zo langzaam mogelijk aan. Buig of verdraai het werkstuk niet tijdens het aanvoeren. Als het zaagblad in het werkstuk vast blijft zitten of blokkeert, moet u het

gereedschap onmiddellijk uitschakelen. Haal de stekker uit het stopcontact. Maak het werkstuk vrij.

30. Verwijder NOOIT zaagafval dicht bij het zaagblad en raak de beschermkap nooit aan terwijl het zaagblad draait.
31. Verwijder elk loszittende houtknoest uit het werkstuk voordat u het begint te zagen.
32. Behandel het netsnoer voorzichtig. Ruk niet aan het snoer om zo de stekker uit het stopcontact te trekken. Houd het netsnoer uit de buurt van hitte, olie, water en scherpe randen.
33. Stof dat tijdens de werkzaamheden vrijkomt, kan chemische bestanddelen bevatten die kanker, geboortedefecten of andere voortplantingsschade kan (kunnen) verwekken. Enkele voorbeelden van deze chemische stoffen zijn:
 - lood van loodhoudende verfstoffen en
 - arsenicum en chroom van chemisch behandeld hout.
 - Het risico van deze blootstellingen varieert en hangt af van het feit hoe vaak u dit soort werkzaamheden uitvoert. Om blootstelling aan deze chemische bestanddelen te verminderen: moeten de werkzaamheden uitgevoerd worden in een goed geventileerde werkomgeving en gebruikmakend van goedgekeurd beschermende hulpmiddelen, zoals stofmaskers die ontworpen zijn om microscopisch kleine deeltjes te kunnen filteren.
34. Sluit het gereedschap aan op een stofafzuig- en stofopvanginrichting tijdens het zagen.
35. De beschermkap kan omhoog gezet worden om het werkstuk in positie te brengen en om het schoonmaken te vereenvoudigen. Zorg er altijd voor dat de beschermkap zich in de onderste stand vlak op de tafelcirkelzaag bevindt, voordat u de stekker in het stopcontact steekt.

BEWAAR DEZE INSTRUCTIES

HET JUISTE GEREEDSCHAP KIEZEN

De tafelcirkelzaag opstellen (zie afb. 1 t/m 3)

Stel de tafelcirkelzaag op een goed verlichte en horizontale plaats op waar u goede steun voor de voeten hebt en uw evenwicht niet kunt verliezen. Zorg ervoor dat er rond de tafelcirkelzaag voldoende ruimte is om uw werkstukken gemakkelijk te kunnen hanteren. De tafelcirkelzaag moet op een werkbank of speciale standaard worden vastgezet door middel van vier schroeven of bouten die u door de gaten in het voetstuk van de tafelcirkelzaag steekt. Wanneer u de tafelcirkelzaag op een werkbank vastzet, moet het bovenblad van de werkbank voorzien zijn van een opening die even groot is als de opening in het voetstuk van de tafelcirkelzaag, zodat het zaagsel erdoor kan vallen.

Als de tafelcirkelzaag tijdens het gebruik neigt om te kantelen of gauw verschuift of beweegt, moet een werkbank of een speciale standaard voor de tafelcirkelzaag op de vloer worden bevestigd.

Bergruimte voor accessoires (zie afb. 4 en 5)

De duwstok, de driehoekige liniaal, het zaagblad en de steeksluutels kunnen worden opgeborgen aan de linkerkant van het onderstel, en de breedtegeleider en verstekgeleider kunnen worden opgeborgen aan de rechterkant van het onderstel.

BESCHRIJVING VAN DE FUNCTIES

LET OP:

- Controleer altijd of het gereedschap is uitgeschakeld en de stekker uit het stopcontact is getrokken alvorens de functies van het gereedschap te controleren of af te stellen.

Instellen van de zaagdiepte (zie afb. 6)

De zaagdiepte kan worden ingesteld door de draaihendel linksom of rechtsom te draaien. Draai de draaihendel rechtsom om het zaagblad hoger te zetten, of linksom om het zaagblad lager te zetten.

OPMERKING:

- Om bij het zagen van dun materiaal een schonere zaagsnede te verkrijgen moet u een geringe zaagdiepte gebruiken.

Instellen van de verstekhoek (zie afb. 7)

Draai de vastzethendel los en draai het handwiel om de gewenste hoek (0° - 45°) te krijgen.

De verstekhoek wordt door het pijltje aangegeven.

Nadat de gewenste hoek is ingesteld, draait u de vastzethendel weer vast om de instelling te vergrendelen.

LET OP:

- Zorg dat de vastzethendel, na instelling van de verticale verstekhoek, stevig vastgezet is.

De hoekaanslagen bijstellen (zie afb. 8 en 9)

Het gereedschap is voorzien van hoekaanslagen op 90° en 45° ten opzichte van het tafelblad. Ga als volgt te werk om de hoekaanslagen te controleren en zo nodig af te stellen:

Verplaats het handwiel zo ver mogelijk door eraan te draaien. Plaats de driehoekige liniaal op de tafel en controleer of het zaagblad onder een hoek van 90° of 45° staat ten opzichte van het tafelblad. Als de hoek van het zaagblad is zoals in afb. A, moet u de stelschroeven rechtsom draaien. Als de hoek is zoals in afb. B, moet u de stelschroeven linksom draaien om de hoekaanslagen af te stellen (zie afb. 9).

Nadat de hoekaanslagen zijn afgesteld, moet u het zaagblad op 90° ten opzichte van het tafelblad zetten. Stel daarna de positie van het pijltje af zodat zijn rechter uiteinde overeenkomt met de 0° schaalverdeling (zie afb. 10).

Werking van de aan/uit-schakelaar

LET OP:

- Haal het werkstuk van de zaagtafel af.
- Schakel het gereedschap uit en druk vervolgens op de herstartknop.

- Zorg er voor dat het gereedschap is uitgeschakeld, voordat u de stekker in het stopcontact steekt.

Voor gereedschap met drukknopschakelaar (zie afb. 11)

Om het gereedschap in te schakelen, drukt u op de aan-knop (I).

Om het gereedschap uit te schakelen, drukt u op de uit-knop (O).

Voor gereedschap met hefboomschakelaar (zie afb. 12)

Om het gereedschap in te schakelen, duwt u de hefboomschakelaar omhoog. Om het gereedschap uit te schakelen, duwt u de hefboomschakelaar omlaag.

Hulptafel (rechts) (zie afb. 13 en 14)

Deze machine is voorzien van een hulptafel (rechts) aan de rechterkant van het hoofdtafel. Om de hulptafel (rechts) te kunnen gebruiken, moet u beide draaiknoppen aan de rechtervoorzijde losdraaien, de tafel (rechts) volledig uittrekken en daarna de draaiknoppen weer vastdraaien om de tafel vast te zetten.

Hulptafel (achter) (zie afb. 15)

Om de hulptafel (achter) te kunnen gebruiken, moet u de draaiknoppen aan de linker- en rechterkant onder de hoofdtafel losdraaien en de hulptafel naar achteren eruit trekken tot op de gewenste afstand. Draai op de gewenste afstand de draaiknoppen goed vast.

Schuiftafel (zie afb. 16)

LET OP:

- Na gebruik van de schuiftafel, moet u deze vergrendelen door de vergrendelplaatjes rechtop te zetten.

Op dit gereedschap zit de schuiftafel aan de linkerkant. De schuiftafel schuift van voor naar achter en terug.

Kantel de vergrendelplaatjes aan de voor- en achterkant naar de horizontale stand alvorens de schuiftafel te gebruiken.

Zet het werkstuk goed vast tegen de verstekgeleider met behulp van een lijmtang op de verstekgeleider, en schuif tijdens het zagen het werkstuk tezamen met de schuiftafel.

ONDERDELEN AANBRENGEN/ VERWIJDEREN

LET OP:

- Controleer altijd of het gereedschap is uitgeschakeld en de stekker uit het stopcontact is getrokken alvorens enige werk aan het gereedschap uit te voeren.

Bij de verschepping van het gereedschap uit de fabriek, zijn het zaagblad en de beschermkap niet op het gereedschap gemonteerd. Monteer deze als volgt:

Het zaagblad monteren en verwijderen

LET OP:

- Controleer altijd of het gereedschap is uitgeschakeld en de stekker uit het stopcontact is getrokken alvorens het zaagblad te monteren of verwijderen.
- Gebruik uitsluitend de bijgeleverde Makita-sleutel bij het monteren of verwijderen van het zaagblad. Als u dit

nalaat, loopt u het risico dat de zeskantbout te vast of onvoldoende vast aangedraaid wordt. Hierdoor kan letsel worden veroorzaakt.

- Gebruik het hieronder gespecificeerde zaagblad. Gebruik geen zaagbladen die niet aan de in deze handleiding aangegeven vereisten voldoen.

Voor model	Max. diameter	Min. diameter	Zaagblad dikte	Zaagsnede
MLT100	260 mm	230 mm	1,8 mm of minder	2 mm of meer

LET OP:

- Controleer vóór montage de diameter van het asgat van het zaagblad. Gebruik altijd de ring die bestemd is voor het asgat van het zaagblad dat u gaat monteren. (zie afb. 17)

Verwijder het inzetstuk van de tafelcirkelzaag. Zet de steeksleutel op de buitenflens en draai de zeskantmoer linksom los met de steeksleutel. Verwijder vervolgens de buitenflens. (zie afb. 18)

Monteer de binnenflens, ring, zaagblad, buitenflens en zeskantmoer op de as, en zorg ervoor dat de tanden van het zaagblad aan de voorkant van de tafelcirkelzaag naar beneden gericht zijn.

Monteer de zeskantmoer altijd met zijn uitgeholde zijde naar de buitenflens gekeerd.

Voor alle niet-Europese landen

LET OP:

- De ring, met een buitendiameter van 25,4 mm, is door de fabrikant op de as aangebracht.

Voor Europese landen

LET OP:

- De ring, met een buitendiameter van 30 mm, is door de fabrikant aangebracht tussen de binnenflens en buitenflens.
- Houd het flensoppervlak vrij van vuil en ander materiaal dat er zich op hecht omdat het anders doorslaan van het zaagblad kan veroorzaken. Zorg ervoor dat het zaagblad zodanig gemonteerd wordt dat de zaagtanden in de lijn van de zaag (draai)-richting staan.

Om het zaagblad vast te zetten, moet u de buitenflens met de versprongen steeksleutel vasthouden en de zeskantmoer met steeksleutel rechtsom vastdraaien. DRAAI DE ZESKANTMOER GOED VAST. (zie afb. 19)

LET OP:

- Zorg ervoor dat de steeksleutel goed om de zeskantmoer zit. Als u grip verliest, kan de steeksleutel losschieten van de zeskantmoer en loopt u het risico dat uw hand in aanraking komt met de zaagtanden.

De beschermkap monteren (zie afb. 20 en 21)

LET OP:

- Voordat u de beschermkap monteert, moet u de zaagdiepte in de maximale stand (hoogste stand) zetten.

Voor een type beschermkap bestemd voor niet-Europese landen

Verwijder de middelste afdekplaat. Plaats de spouwmes in het betreffende montagegedeelte (steun). Draai de zeskantbouten (A) vast met de bijgeleverde steeksleutel.

Voor een type beschermkap bestemd voor Europese landen (zie afb. 22 en 23)

Verwijder de middelste afdekplaat. Plaats de spouwmes in het betreffende montagegedeelte (steun). Draai de zeskantbouten (A) vast met de bijgeleverde steeksleutel. Plaats de beschermkap in de groef op het spouwmes. Zet de beschermkap vast door de hendel op de beschermkap te kantelen.

Voor een type beschermkap bestemd voor zowel Europese als niet-Europese landen

De montagepositie van het spouwmes is in de fabriek afgesteld, zodat het zaagblad en het spouwmes normaal in een rechte lijn zullen staan.

Indien dit niet het geval is, moet u de inbusbouten (B) losdraaien en het montagegedeelte (steun) van de beschermkap afstellen zodat het spouwmes in een rechte lijn achter het zaagblad komt te staan. Draai daarna de inbusbouten (B) weer vast om de steun vast te zetten. (zie afb. 24)

LET OP:

- Als het zaagblad en het spouwmes niet goed uitgelijnd zijn, kunnen deze tijdens het gebruik gaan knellen, wat gevaarlijk is. Let daarom goed op de juiste uitlijning. Bij gebruik van het gereedschap zonder een goed uitgelijnd spouwmes, kunt u ernstig persoonlijk letsel oplopen.
- Verander NOOIT de instelling van het gereedschap als deze ingeschakeld is. Haal de stekker uit het stopcontact voordat u de instellingen verandert.
- Verwijder het spouwmes niet. (zie afb. 25)

De speling tussen het spouwmes en de tanden van het zaagblad moet 4 tot 5 mm zijn. Draai de inbusbouten (A) los, stel het spouwmes dienovereenkomstig af, en draai de inbusbouten (A) goed vast. Monteer het inzetstuk op het tafelcirkelzaag en controleer vervolgens of de beschermkap soepel werkt.

Monteren en afstellen van de breedtegeleider (zie afb. 26)

Monteer de breedtegeleider dusdanig dat de geleiderhouder vastgezet wordt in de dichtstbijzijnde geleiderail.

Om de breedtegeleider vast te zetten moet u de hendel op de geleiderhouder volledig kantelen.

Om te controleren of de breedtegeleider parallel is met het zaagblad, zet u de breedtegeleider vast op 2 tot 3 mm van het zaagblad.

Breng het zaagblad tot in zijn hoogste positie omhoog. Markeer een van de zaagbladtanden met een tekenkrijt. Meet afstanden (A) en (B) tussen de breedtegeleider en het zaagblad. Gebruik voor beide metingen de tand die met het tekenkrijt werd gemarkeerd.

Deze twee gemeten afstanden moeten exact hetzelfde zijn. Ga als volgt te werk als de breedtegeleider niet parallel is met het zaagblad: (zie afb. 27 en 28)

1. Zet de breedtegeleider vast door de hendel ervan omlaag te zetten.

2. Draai de twee inbusbouten op de breedtegeleider los met de bijgeleverde inbusleutel.
3. Stel de breedtegeleider af totdat deze parallel is met het zaagblad.
4. Draai de twee inbusbouten op de breedtegeleider vast. (zie afb. 29)

LET OP:

- Zorg ervoor dat de breedtegeleider evenwijdig is met het zaagblad, omdat er anders gevaar bestaat voor gevaarlijke terugslag.
- Plaats de breedtegeleider vlak tegen de zijkant van het zaagblad. Zorg ervoor dat het pijltje op de geleiderhouder naar de 0° schaalverdeling wijst. Als het pijltje niet naar de 0° schaalverdeling wijst, draai dan de schroef op de schaalplaat los en stel de schaalplaat af. (zie afb. 30)

Een stofzuiger aansluiten (zie afb. 31)

Door een Makita-stofzuiger of -stofvanger op de tafelcirkelzaag aan te sluiten, kunt u nog schoner werken.

BEDIENING

LET OP:

- Gebruik altijd hulpmiddelen zoals duwstokken en duwblokken wanneer er gevaar bestaat dat uw handen of vingers dichtbij het zaagblad komen.
- Houd het werkstuk altijd goed vast op de tafelblad met behulp van breedtegeleider en verstekgeleider. Buig of verdraai het werkstuk niet tijdens het aanvoeren. Als het werkstuk gebogen of verdraaid wordt, kan gevaarlijke terugslag optreden.
- Probeer NOOIT het werkstuk terug te nemen terwijl de zaag nog draait. Wanneer u het werkstuk wilt terugnemen voordat het volledig is gezaagd, moet u eerst het gereedschap uitschakelen terwijl u het werkstuk stevig vasthoudt. Wacht totdat het zaagblad volledig tot stilstand is gekomen en verwijder dan het werkstuk. Als u dat niet doet, kan gevaarlijke terugslag worden veroorzaakt.
- Verwijder NOOIT afgezaagd materiaal terwijl het zaagblad nog draait.
- Breng uw handen of vingers NOOIT in de zaaglijn van het zaagblad. Wees vooral voorzichtig tijdens verstekzagen.
- Zet de breedtegeleider altijd goed vast om gevaarlijke terugslag te voorkomen.
- Gebruik altijd hulpmiddelen zoals duwstokken en duwblokken wanneer u kleine of smalle werkstukken zaagt.

Hulpmiddelen

Duwstokken, duwblokken of een extra hulpgeleider zijn voorbeelden van hulpmiddelen. Gebruik ze om veilig zuivere zaagsneden te maken zonder dat de bedienaar met enig deel van zijn lichaam in aanraking komt met het zaagblad.

Duwblok (zie afb. 32)

Gebruik een stuk multiplex van 19 mm dik.

De handgreep moet in het midden van het stuk multiplex zitten. Bevestig met lijm en houtschroeven zoals afgebeeld. Het kleine stuk hout (9,5 mm x 8 mm x 50 mm) moet altijd aan het triplex gelijmd worden om te voorkomen dat het zaagblad stomp wordt als de bedienaar

per ongeluk in het duwblok zaagt. (Gebruik nooit spijkers in het duwblok.)

Extra hulpgeleider (zie afb. 33)

Maak een hulpgeleider van stukken multiplex van 9,5 mm en 19 mm dik

Schulpen

LET OP:

- Voor schulpen moet de verstekgeleider vanaf de tafelickeelzaag worden verwijderd.
 - Wanneer u lange of brede werkstukken zaagt, moet u altijd achter de tafelickeelzaag een geschikte steun plaatsen. Zorg ervoor dat een lange plank NIET op de tafelblad kan bewegen of schuiven. Hierdoor kan het zaagblad vastgeklemd raken en de mogelijkheid op terugslag en persoonlijk letsel vergroten. De steun moet even hoog zijn als het tafelblad.
1. Stel de zaagdiepte iets groter in dan de dikte van het werkstuk (zie afb. 34).
 2. Plaats de breedtegeleider op de gewenste breedte van de schulp en klem deze stevig op zijn plaats door de handgreep te kantelen.
 3. Schakel het gereedschap in en voer het werkstuk langzaam langs de hulpgeleider aan.
 - (1) Bij een schulpbreedte groter dan 150 mm, gebruikt u voorzichtig uw rechterhand om het werkstuk in te voeren. Gebruik uw linkerhand om het werkstuk op zijn plaats tegen de breedtegeleider te houden (zie afb. 35).
 - (2) Bij een schulpbreedte tussen 65 mm en 150 mm, gebruikt u voorzichtig uw rechterhand om het werkstuk in te voeren (zie afb. 36).
 - (3) Bij een schulpbreedte kleiner dan 65 mm kan de duwstok niet gebruikt worden omdat de duwstok dan in aanraking komt met het zaagblad. Gebruik een hulpgeleider en een duwblok. Bevestig de hulpgeleider aan de breedtegeleider met twee lijmtangen (zie afb. 37).
- Voer het werkstuk met de hand in totdat het eindstuk circa 25 mm verwijderd is van de voorzijde van het tafelblad. Ga door met het invoeren met behulp van een duwblok op de hulpgeleider totdat de zaagsnede voltooid is (zie afb. 38).

Afkorten

LET OP:

- Voor afkorten moet de breedtegeleider vanaf de tafelickeelzaag worden verwijderd.
- Wanneer u lange of brede werkstukken zaagt, moet u altijd aan beide zijden van de tafelickeelzaag een geschikte steun plaatsen. De steun moet even hoog zijn als het tafelblad.
- Houd handen altijd weg van de zaaglijn van het zaagblad.

Verstekgeleider (zie afb. 39)

Gebruik de verstekgeleider bij de 4 manieren van zagen, zoals weergegeven in de afbeelding.

LET OP:

- Draai de knop van de verstekgeleider zorgvuldig vast.

- Voorkom, door goede klemvoorzieningen, dat het werkstuk en de aanslag kan wegkruipen, in het bijzonder bij het zagen onder een hoek.
- NOOIT het deel van het werkstuk dat wordt afgezaagd vasthouden op vastpakken.
- Pas altijd de afstand tussen de verstekgeleider en het zaagblad aan zodat deze nooit groter wordt dan 15 mm.

Gebruik van de verstekgeleider (zie afb. 40)

Schuif de verstekgeleider in de brede groeven op de zaagtafel. Draai de knop van de verstekgeleider los en lijn de verstekgeleider uit met de gewenste hoek (0° t/m 60°). Plaats het werkstuk glad langs de geleider, zet het vast met de klem op de verstekgeleider, en schuif het langs het zaagblad.

Extra houten hulpgeleider (voor verstekgeleider) (zie afb. 41)

Om te voorkomen dat een lange plaat gaat wiebelen, bevestigt u een hulpbalk op de verstekgeleider. Boor gaten in de hulpbalk en bevestig deze met bouten en moeren op de verstekgeleider, maar zorg ervoor dat ze niet uit oppervlak steken.

Transport van het gereedschap (zie afb. 42)

Zorg ervoor dat de stekker uit het stopcontact is getrokken.

Transporteer het gereedschap en houdt deze vast zoals aangegeven in de afbeelding.

LET OP:

- Zet altijd alle beweegbare delen vast voordat u het gereedschap transporteert.
- Zorg er altijd voor dat de beschermkap op het gereedschap is aangebracht voordat u het gereedschap draagt.

ONDERHOUD

LET OP:

- Zorg er altijd voor dat het gereedschap is uitgeschakeld en de stekker uit het stopcontact is getrokken, voordat u een inspectie of onderhoud uitvoert.

OPMERKING:

- Gebruik nooit benzine, wasbenzine, thinner, alcohol, enz. Dit kan leiden tot verkleuren, vervormen of barsten.

Schoonmaken

Verwijder af en toe zaagsel en spanen van het gereedschap. Maak vooral de beschermkap en de bewegende onderdelen in de tafelickeelzaag goed schoon.

Smeren

Om de tafelickeelzaag in optimale conditie te houden en een maximale levensduur te verzekeren, moet u de bewegende en roterende onderdelen regelmatig te smeren.

Te smeren plaatsen:

- Getapte as voor het omhoog brengen van het zaagblad

- Scharnier voor het roteren van het voetstuk
- Geleideassen voor omhoog brengen op de motor
- Tandwiel voor het omhoog brengen van het zaagblad

De koolborstels vervangen (zie afb. 43)

Verwijder en controleer de koolborstels regelmatig. Vervang deze wanneer ze tot 3 mm lengte zijn afgesleten. Houd de koolborstels schoon en zorg ervoor dat ze vrij kunnen bewegen in de houders.

Beide koolborstels dienen tegelijkertijd te worden vervangen. Gebruik alleen identieke koolborstels. (zie afb. 44)

Gebruik een schroevendraaier om de koolborsteldoppen te verwijderen. Voor het vervangen van de koolborstels moet u de beschermkap en het zaagblad verwijderen, de vergendelhendel losmaken, de gereedschapkop kantelen en op een verstekhoek van 45° vastzetten. Laat het gereedschap voorzichtig achterover zakken. Maak daarna de koolborsteldop los. Verwijder de versleten koolborstels, plaats de nieuwe, en zet de koolborsteldoppen goed vast.

Om de VEILIGHEID en BETROUWBAARHEID van het gereedschap te handhaven, dienen alle reparaties, onderhoud en afstellingen te worden uitgevoerd door een erkend Makita-servicecentrum, en altijd met gebruikmaking van originele Makita-ervangingsonderdelen.

ACCESSOIRES

LET OP:

- Deze accessoires of hulpstukken worden aanbevolen voor gebruik met het Makita-gereedschap dat in deze gebruiksaanwijzing wordt beschreven. Het gebruik van andere accessoires of hulpstukken kan gevaar voor persoonlijk letsel opleveren. Gebruik de accessoires of hulpstukken uitsluitend voor de aangegeven gebruiksdoeleinden.

Mocht u meer informatie willen hebben over deze accessoires, dan kunt u contact opnemen met uw plaatselijke Makita-servicecentrum.

- Breedtegeleider
- Verstekgeleider
- Steeksleutel 24
- Inbussleutel 5
- Verbindingsstuk (voor aansluiting op stofvanger)
- Tafelset

Geluid ENG905-1

De typische, A-gewogen geluidsniveaus zijn gemeten volgens EN61029:

Geluidsdrukniveau (L_{pA}): 92 dB (A)

Geluidsvermogeniveau (L_{WA}): 105 dB (A)

Onzekerheid (K): 3 dB (A)

Draag gehoorbescherming.

Alleen voor Europese landen ENH022-3

EU-verklaring van conformiteit

Wij, Makita Corporation, als de verantwoordelijke fabrikant, verklaren dat de volgende Makita-machine(s):

Aanduiding van de machine:

Tafelcirkelzaag

Modelnr./Type: MLT100

in serie is geproduceerd en

Voldoet aan de volgende Europese richtlijnen:

2006/42/EC

En is gefabriceerd in overeenstemming met de volgende normen of genormaliseerde documenten:

EN61029

Het certificaatnummer van het EU-typeonderzoek is BM 50170011 0001, BM 50170011 0002

Het EU-typeonderzoek werd uitgevoerd door:

TÜV RHEINLAND Product safety GmbH Am Grauen Stein 51105

Köln, Duitsland

identificatienr. 0197

De technische documentatie wordt bewaard door onze erkende vertegenwoordiger in Europa, te weten:

Makita International Europe Ltd.,

Michigan Drive, Tongwell,

Milton Keynes, Bucks MK15 8JD, Engeland

15. 12. 2009



Tomoyasu Kato

Directeur

Makita Corporation

3-11-8, Sumiyoshi-cho,

Anjo, Aichi, 446-8502, JAPAN

ESPAÑOL (Instrucciones originales)

Descripción y visión general

- | | | |
|---|---|---------------------------------------|
| 1. Diámetro del orificio 8 mm | 17. Sub-mesa (parte posterior) | 33. Palanca |
| 2. Arandela estándar de 6 mm | 18. Mesa deslizante | 34. Escala |
| 3. Tornillo de madera del no. 10 con una longitud mín. de 40 mm | 19. Placa de bloqueo | 35. Línea de guía |
| 4. Apretar firmemente el perno de montaje de 6 mm y la tuerca | 20. Llave | 36. Tornillo |
| 5. Listón de empuje | 21. Tuerca hexagonal | 37. Paralelo a la parte frontal/borde |
| 6. Tope lateral (regla de guía) | 22. Brida interior | 38. Tornillo para madera |
| 7. Cartabón de inglete | 23. Anillo | 39. Encóclelos |
| 8. Asa | 24. Disco de sierra | 40. Tope auxiliar |
| 9. Puntero de flecha | 25. Brida exterior | 41. Bloque de empuje |
| 10. Palanca de bloqueo | 26. Protector de sierra | 42. Corte transversal |
| 11. Tornillo de ajuste a 90° | 27. Doladera | 43. Biselado |
| 12. Tornillo de ajuste a 45° | 28. Porción de montaje del protector de disco (soporte) | 44. Corte en bisel |
| 13. Interruptor | 29. Sierra | 45. Biselado compuesto (ángulos) |
| 14. Botón de reinicio | 30. Estas dos holguras deben ser idénticas. | 46. Perilla |
| 15. Tornillos | 31. Pernos hexagonales (A) | 47. Tapa del portaescobillas |
| 16. Sub-mesa (D) | 32. Pernos hexagonales | 48. Destornillador |

ESPECIFICACIONES

Modelo	MLT100	
	(para los países europeos)	(para otros países que no sean europeos)
Orificio para el eje	30 mm	25 mm y 25,4 mm
Diámetro del disco	260 mm	255 mm
Capacidades máximas de corte	90°	93 mm
	45°	64 mm
Velocidad en vacío (mín ⁻¹)	4.300	
Tamaño de la mesa (Largo x Ancho)	(685 mm - 835 mm) x (955 mm - 1.305 mm) con sub-mesas (D) y (posterior)	(685 mm - 835 mm) x (955 mm - 1.305 mm) con sub-mesas (D) y (posterior)
Dimensiones (Largo x Ancho x Alto) con la(s) mesa(s) no extendida(s)	726 mm x 984 mm x 333 mm con sub-mesas (D) y (posterior)	726 mm x 984 mm x 333 mm con sub-mesas (D) y (posterior)
Peso neto	34,1 kg	34,1 kg
Clase de seguridad	II/II	

- Debido a nuestro programa continuo de investigación y desarrollo, las especificaciones aquí descritas están sujetas a cambios sin previo aviso.
- Las especificaciones pueden ser diferentes de un país a otro.
- Peso de acuerdo con el procedimiento EPTA 01/2003

Símbolos

END215-3

Se utilizan los siguientes símbolos para el equipo. Asegúrese de que comprende su significado antes del uso.



..... Lea el manual de instrucciones.



..... DOBLE AISLAMIENTO



..... Utilice gafas de seguridad.



..... Aleje las manos y los dedos del disco.

Uso previsto

ENE003-1

La herramienta está diseñada para cortar madera.

Alimentación

ENF002-1

La herramienta debe conectarse solamente a una fuente de alimentación de la misma tensión que la indicada en la placa de características, y sólo puede funcionar con corriente alterna monofásica. El sistema de doble aislamiento de la herramienta cumple con las normas europeas y puede, por lo tanto, usarse también en tomacorrientes sin conductor de tierra.

Advertencias de seguridad generales para herramientas eléctricas

GEA010-1

⚠️ ADVERTENCIA Lea todas las advertencias de seguridad y todas las instrucciones. La no observancia de las advertencias y las instrucciones puede provocar descargas eléctricas, incendios y/o lesiones graves.

Guarde todas las advertencias e instrucciones para futuras consultas.

REGLAS DE SEGURIDAD ADICIONALES PARA LA HERRAMIENTA

ENB095-1

GUARDE ESTAS INSTRUCCIONES.

1. Utilice protección para los ojos.
2. No utilice la herramienta cerca de líquidos o gases inflamables.
3. No utilice NUNCA la herramienta con un disco abrasivo de corte instalado en ella.
4. Antes de su uso, compruebe que la sierra no esté agrietada ni dañada. Una sierra agrietada o dañada debe sustituirse de inmediato.
5. Utilice sólo discos de sierra recomendados por el fabricante y que cumplan con EN847-1. Compruebe que la doladera no tenga un grosor superior al del corte del disco de sierra o inferior al cuerpo del disco.
6. Utilice siempre los accesorios recomendados en este manual. El uso de accesorios inadecuados, como discos de corte abrasivos, puede provocar lesiones.
7. Seleccione el disco adecuado para el material que va a cortar.
8. No utilice discos fabricados con acero de corte rápido.
9. Para reducir la emisión de ruido, asegúrese siempre de que el disco esté afilado y limpio.
10. Utilice discos afilados correctamente. Respete la velocidad máxima indicada en el disco de sierra.
11. Limpie el vástago, las bridas (especialmente la superficie de instalación) y la tuerca hexagonal antes de instalar el disco. Una mala instalación podrá causar vibraciones o alabeos o bien que el disco patine.
12. Utilice el protector de disco y la doladera para todas las operaciones en las que puedan utilizarse, incluidas todas las operaciones de corte a través. Instale siempre el protector de disco siguiendo las instrucciones que se proporcionan en este manual. Las operaciones de corte a través son aquellas en las que el disco corta completamente la pieza de trabajo de parte a parte como en los cortes al hilo o transversales. No utilice NUNCA la herramienta con un protector de disco que tenga algún defecto ni lo asegure con una soga, cuerda, etc. Cualquier uso irregular

del protector de disco debe corregirse inmediatamente.

13. Vuelva a montar inmediatamente el protector y la doladera tras completar una operación que requiera retirar la protección.
14. No corte objetos metálicos, tales como clavos y tornillos. Inspeccione la pieza de trabajo antes de la operación y extraiga todos los clavos, tornillos y otros objetos extraños.
15. Antes de conectar la alimentación, retire las llaves, piezas sobrantes, etc. de la mesa.
16. No utilice NUNCA guantes durante la operación.
17. Mantenga las manos alejadas de la línea del disco.
18. No se interponga NUNCA ni permita que nadie se interponga en la línea de la trayectoria del disco.
19. Antes de conectar la alimentación, asegúrese de que el disco no está en contacto con la doladera ni con la pieza de trabajo.
20. Antes de utilizar la herramienta en una pieza de trabajo, déjela en marcha durante unos instantes. Esté atento por si se producen vibraciones o alabeo, lo que indicaría que el disco no se ha instalado correctamente o que está mal equilibrado.
21. La herramienta no se debe usar para realizar muescas, ranuras o acanaladuras.
22. Reemplace el accesorio de inserción en la mesa cuando esté gastado.
23. NUNCA realice ajustes mientras la herramienta esté funcionando. Desconecte la herramienta antes de realizar ajustes.
24. Utilice un listón de empuje cuando sea necesario. Los listones de empuje DEBEN usarse para cortes al hilo de piezas de trabajo estrechas con el fin de mantener sus manos y dedos bien alejados del disco.
25. Almacene siempre el listón de empuje cuando no lo utilice.
26. Preste especial atención a las instrucciones para reducir el riesgo de CONTRAGOLPES. Un CONTRAGOLPE es una reacción repentina provocada por un disco mal alineado, alabeado o mellado. El CONTRAGOLPE provoca el retroceso hacia el operario de la pieza de trabajo al ser expulsada de la herramienta. LOS CONTRAGOLPES PUEDEN PROVOCAR LESIONES PERSONALES GRAVES. Puede evitar los CONTRAGOLPES manteniendo el disco afilado, el tope lateral paralelo al disco, la doladera y el protector de disco en su lugar y en correcto funcionamiento, no soltando la pieza de trabajo hasta que la haya empujado más allá del disco y no realizando cortes al hilo en una pieza de trabajo retorcida o alabeada o que no tenga un borde recto para guiarla a lo largo del tope lateral.
27. No realice ninguna operación a mano alzada. Con “a mano alzada” nos referimos a utilizar las manos para aguantar o guiar la pieza de trabajo en lugar de un tope lateral o un calibrador de ingleses.
28. No se incline NUNCA alrededor o por encima del disco. No coja NUNCA una pieza de trabajo hasta que el disco se haya detenido completamente.

29. Evite pasar la pieza de trabajo de forma brusca o rápida. Cuando corte piezas de trabajo duras, páselas lo más despacio posible. No incline ni tuerza la pieza de trabajo mientras la pasa. Si el disco se para o atasca en la pieza de trabajo, pare la herramienta inmediatamente. Desenchufe la herramienta. Despeje el atasco.
30. No retire NUNCA sobrantes próximos al disco ni toque el protector de disco mientras el disco esté girando.
31. Retire nudos sobrantes de la pieza de trabajo ANTES de iniciar el corte.
32. No maltrate el cable. Nunca tire del cable para desconectarlo de la toma de corriente. Mantenga el cable alejado del calor, aceite, agua y bordes cortantes.
33. El polvo que se forma durante el uso contiene sustancias químicas que pueden provocar cáncer, anomalías congénitas u otros daños reproductivos. Algunas de estas sustancias químicas son:
 - plomo de material con pintura con plomo y
 - arsénico y cromo de madera tratada químicamente.
 - El riesgo de exposición varía en función de la frecuencia con la que realice este tipo de trabajo. Para reducir su exposición a estas sustancias químicas: trabaje en zonas bien ventiladas y con el equipo de seguridad aprobado como, por ejemplo, las mascarillas contra el polvo especialmente diseñadas para filtrar partículas microscópicas.
34. Conecte la herramienta a un dispositivo recolector de polvo cuando sierra.
35. El protector se puede levantar durante el montaje de la pieza de trabajo y para facilitar la limpieza. Asegúrese siempre de que la tapa de protección esté bajada y totalmente plana sobre la mesa de la sierra antes de enchufar la herramienta.

GUARDE ESTAS INSTRUCCIONES.

INSTALACIÓN

Colocación de la sierra de mesa (Fig. 1 - 3)

Coloque la sierra de mesa en un lugar bien alumbrado y nivelado donde pueda pisar firmemente y mantener buen equilibrio. Debe instalarse en un lugar en el que haya espacio suficiente para manejar fácilmente las piezas de trabajo del tamaño que se quiera cortar. La sierra de mesa deberá fijarse al banco de trabajo o al soporte de la sierra de mesa con cuatro tornillos o pernos utilizando los orificios provistos en la parte inferior de la sierra de mesa. Cuando fije la sierra de mesa sobre el banco de trabajo, asegúrese de que en la parte superior del banco de trabajo haya una abertura del mismo tamaño que la abertura que hay en la parte inferior de la sierra de mesa para que el serrín pueda caer a través de ella. Si durante la operación nota que la sierra de mesa tiene alguna tendencia a volcarse, deslizarse o moverse, deberá fijar el soporte de la sierra de mesa al suelo.

Almacenamiento de accesorios (Fig. 4 y 5)

El calibrador de ingletes, el disco y las llaves pueden almacenarse en el lado izquierdo de la base y el tope lateral puede almacenarse en el lado derecho de la base.

DESCRIPCIÓN DEL FUNCIONAMIENTO

PRECAUCIÓN:

- Asegúrese siempre de que la herramienta esté apagada y desenchufada antes de intentar realizar cualquier tipo de ajuste o comprobación en ella.

Ajuste de la profundidad de corte (Fig. 6)

La profundidad de corte puede ajustarse girando el asa. Gire el asa hacia la derecha para subir el disco o hacia la izquierda para bajarlo.

NOTA:

- Utilice poca profundidad cuando corte materiales finos para obtener un corte más limpio.

Ajuste del ángulo de bisel (Fig. 7)

Afloje la palanca de bloqueo en sentido contrario a las agujas del reloj y gire el volante de mano hasta obtener el ángulo deseado (0° - 45°).

El puntero de flecha indica el ángulo de bisel.

Una vez obtenido el ángulo deseado, apriete la palanca de bloqueo en el sentido de las agujas del reloj para fijar el ajuste realizado.

PRECAUCIÓN:

- Tras ajustar el ángulo de bisel, asegúrese de apretar firmemente la palanca de bloqueo.

Ajuste de topes positivos (Fig. 8 y 9)

La herramienta está equipada con topes positivos a 90° y 45° en relación con la superficie de la mesa. Para comprobar y ajustar los topes positivos, siga el procedimiento siguiente:

Mueva el volante de mano lo más lejos posible girándolo. Coloque una escuadra sobre la mesa y compruebe si el disco está a 90° o 45° en relación con la superficie de la mesa. Si el disco está en un ángulo mostrado en la Fig. A, gire los tornillos de ajuste en el sentido de las agujas del reloj; si está en un ángulo mostrado en la Fig. B, gire los tornillos de ajuste en el sentido contrario a las agujas del reloj para ajustar los topes positivos.

Una vez ajustados los topes positivos, ajuste el disco a 90° en relación con la superficie de la mesa. A continuación, ajuste el puntero de flecha de forma que su borde derecho quede alineado con la graduación 0°.

(Fig. 10)

Acción del gatillo interruptor

PRECAUCIÓN:

- Retire la pieza de trabajo de la mesa.
- Apague la herramienta y, a continuación, pulse el botón de reinicio.
- Antes de enchufar la herramienta, asegúrese de que esté apagada.

Para la herramienta con el interruptor de tipo de botón (Fig. 11)

Para poner en marcha la herramienta, pulse el botón ON (I).

Para detenerla, pulse el botón OFF (O).

Para la herramienta con el interruptor de tipo de palanca (Fig. 12)

Para poner en marcha la herramienta, levante la palanca del interruptor. Para detenerla, baje la palanca del interruptor.

Sub-mesa (D) (Fig. 13 y 14)

Esta herramienta se proporciona con la sub-mesa (D) en el lado derecho de la mesa principal. Para usar la sub-mesa (D), afloje dos tornillos del lado derecho en el sentido contrario a las agujas del reloj, tire de la mesa (D) completamente y después apriete los dos tornillos para asegurarla.

Sub-mesa (parte posterior) (Fig. 15)

Para usar la sub-mesa (posterior), afloje los tornillos de los lados izquierdo y derecho debajo de la mesa y tire de ella hacia atrás para extraerla la longitud que desee. En la longitud deseada, apriete el tornillo firmemente.

Mesa deslizante (Fig. 16)

PRECAUCIÓN:

- Tras utilizar la mesa deslizante, asegúrese de bloquearla moviendo la placa de bloqueo hasta la posición vertical.

Esta herramienta se proporciona con la mesa deslizante en el lado izquierdo.

La mesa deslizante se desliza hacia atrás y hacia adelante. Gire las placas de bloqueo de la parte posterior y frontal hasta la posición horizontal antes de usarla.

Sujete la pieza de trabajo firmemente con el tope lateral mediante una abrazadera en el tope lateral y deslice la pieza de trabajo junto con la mesa deslizante en el momento de la operación de corte.

MONTAJE

PRECAUCIÓN:

- Asegúrese siempre de que la herramienta esté apagada y desenchufada antes de intentar realizar cualquier trabajo en ella.

La herramienta sale de fábrica con el disco y protector de disco sin instalar. Instálelos de la siguiente forma:

Instalación o extracción del disco de sierra

PRECAUCIÓN:

- Asegúrese siempre de que la herramienta esté apagada y desenchufada antes de instalar o extraer el disco
- Utilice sólo la llave de cubo proporcionada por Makita para instalar o extraer el disco. De lo contrario, podría apretar demasiado o de forma insuficiente el perno de cabeza hexagonal y provocar lesiones.
- Utilice uno de los discos siguientes. No utilice discos de sierra que no se ajusten a las características especificadas en estas instrucciones.

Para el modelo	Diám. máx.	Diám. mín.	Grosor del disco	Entalladura
MLT100	260 mm	230 mm	1,8 mm o menos	2 mm o más

PRECAUCIÓN:

- Compruebe el diámetro del orificio del eje del disco antes de instalar el disco. Utilice siempre el anillo correcto para el orificio del eje del disco que vaya a utilizar. (Fig. 17)

Quite el accesorio de inserción de la mesa. Sujete la brida exterior con una llave y afloje la tuerca hexagonal en el sentido contrario a las agujas del reloj con otra llave. A continuación, extraiga la brida exterior. (Fig. 18)

Monte la brida interior, el anillo, el disco, la brida exterior y la tuerca hexagonal en el eje, asegurándose de que los dientes del disco están apuntando hacia abajo en la parte frontal de la mesa.

Instale siempre la tuerca hexagonal con la cara ahuecada mirando hacia la brida exterior.

Para todos los países excepto los países europeos

PRECAUCIÓN:

- El anillo de 25,4 mm de diámetro exterior viene instalado de fábrica en el vástago.

Para países europeos

PRECAUCIÓN:

- El anillo de 30 mm de diámetro exterior viene instalado de fábrica entre las bridas interiores y exteriores.
- Mantenga la superficie de la brida libre de suciedad o de sustancias que se puedan adherir, ya que el disco podría patinar. Asegúrese de que el disco esté instalado de forma que los dientes estén alineados con la dirección de corte (giro).

Para fijar el disco en su sitio, sujete la brida exterior con la llave acodada y, a continuación, apriete la tuerca hexagonal en el sentido de las agujas del reloj con la llave fija. **ASEGÚRESE DE APRETAR FIRMEMENTE LA TUERCA HEXAGONAL.** (Fig. 19)

PRECAUCIÓN:

- Asegúrese de sujetar la tuerca hexagonal cuidadosamente con la llave. Si la empuñadura resbala, la llave puede salirse de la tuerca hexagonal y su mano podría golpear el borde afilado del disco.

Instalación del protector de disco (Fig. 20 y 21)

PRECAUCIÓN:

- Antes de instalar el protector de disco, ajuste la profundidad del corte a su elevación máxima.

Para protecciones de disco que no sean del tipo europeo

Retire la cubierta central. Inserte la doladera en la parte de montaje de la protección de la hoja (soporte). Apriete los pernos hexagonales (A) con la llave de tuerca proporcionada.

Para protectores de disco del tipo europeo (Fig. 22 y 23)

Retire la cubierta central. Inserte la doladera en la parte de montaje de la protección de la hoja (soporte). Apriete

los pernos hexagonales (A) con la llave de tuerca proporcionada.

Coloque el protector de disco en la ranura de la doladera. Fije el protector de disco haciendo girar la palanca del protector de disco.

Para protecciones de disco de tipo europeo y no europeo

La ubicación de instalación de la doladera viene ajustada de fábrica para que el disco y la doladera estén en línea recta.

Sin embargo, si no están en línea recta, afloje los pernos hexagonales (B) y ajuste la porción de montaje del protector de disco (soporte) de forma que la doladera quede alineada directamente detrás del disco. A continuación, apriete los pernos hexagonales (B) para asegurar el soporte. (Fig. 24)

PRECAUCIÓN:

- Si el disco y la doladera no están alineados debidamente, podrá crearse una situación de mella peligrosa durante la operación. Asegúrese de que están correctamente alineados. Puede sufrir graves lesiones personales si utiliza la herramienta sin una doladera correctamente alineada.
- NUNCA realice ajustes mientras la herramienta esté funcionando. Desconecte la herramienta antes de realizar ajustes.
- No extraiga la doladera. (Fig. 25)

Debe haber una holgura de unos 4 - 5 mm entre la doladera y los dientes del disco. Afloje los pernos hexagonales (A) y ajuste la doladera según sea necesario y apriete los pernos hexagonales (A) firmemente. Coloque el accesorio de inserción en la mesa, y luego compruebe que el protector de disco funciona suavemente antes de realizar el corte.

Instalación y ajuste del tope lateral (Fig. 26)

Instale el tope lateral de forma que el soporte del tope encaje en el riel de guía más cercano.

Para asegurar el tope lateral, haga girar completamente la perilla en el soporte del tope.

Para comprobar que el tope lateral está paralelo al disco, fije el tope lateral a una distancia de 2 - 3 mm del disco. Levante el disco hasta la elevación máxima. Marque uno de los dientes del disco con un lápiz de cera. Mida la distancia (A) y (B) entre el tope lateral y el disco. Tome ambas mediciones usando el diente marcado con el lápiz de cera.

Esas dos mediciones deben ser idénticas. Si el tope lateral no está paralelo al disco, siga el procedimiento siguiente: (Fig. 27 y 28)

1. Fije el tope lateral bajando su palanca.
2. Afloje los dos pernos hexagonales del tope lateral con la llave hexagonal proporcionada.
3. Ajuste el tope lateral hasta que quede paralelo con el disco.
4. Apriete los dos pernos hexagonales del tope lateral. (Fig. 29)

PRECAUCIÓN:

- Asegúrese de ajustar el tope lateral de forma que quede paralelo al disco, o de lo contrario podrá darse una condición de contragolpe peligrosa.

Ponga el tope lateral pegado contra la cara del disco. Asegúrese de que la línea de guía del soporte del tope señale la graduación 0. Si la línea de guía apunta a la graduación 0, afloje el tornillo de la placa graduada y ajuste la placa graduada. (Fig. 30)

Conexión de una aspiradora (Fig. 31)

Se puede lograr un uso más limpio de la herramienta conectándola a una aspiradora o un recolector de polvo de Makita.

MANEJO

PRECAUCIÓN:

- Utilice siempre "elementos de ayuda" tales como listones de empuje y bloques de empuje cuando exista peligro de acercar las manos o dedos al disco.
- Sujete siempre la pieza de trabajo firmemente con la mesa y el tope lateral o calibrador de ingletes. No la incline ni la tuerza mientras la pasa. Si la inclina o la tuerce mientras la pasa, podrá crear una situación de contragolpe peligrosa.
- No retire NUNCA la pieza de trabajo mientras el disco está girando. Si se ve forzado a retirarla antes de completar el corte, primero desconecte la herramienta mientras sujeta firmemente la pieza de trabajo. Espere hasta que el disco se haya parado completamente antes de retirar la pieza de trabajo. De lo contrario, se podrá producir un contragolpe peligroso.
- No retire NUNCA los sobrantes de material cuando el disco está girando.
- No coloque NUNCA sus manos ni sus dedos en la trayectoria del disco. Tenga especial cuidado con los cortes biselados.
- Sujete siempre firmemente el tope lateral, o podrán producirse peligrosos contragolpes.
- Utilice siempre "elementos de ayuda" tales como listones de empuje y bloques de empuje cuando corte piezas de trabajo pequeñas o estrechas.

Elementos de ayuda

Los listones de empuje, bloques de empuje o topes auxiliares son tipos de "elementos de ayuda". Utilícelos para realizar cortes seguros sin necesidad de que el operario entre en contacto con el disco o con cualquier parte del cuerpo.

Bloque de empuje (Fig. 32)

Utilice una pieza de 19 mm de contrachapado.

El asa debe estar en el centro del contrachapado. Realice la unión con cola y tornillos para madera como se muestra. Siempre deben engancharse al contrachapado piezas pequeñas de madera de 9,5 mm x 8 mm x 50 mm para evitar que el disco se embote si el operario corta el bloque de empuje por error. No utilice nunca clavos en el bloque de empuje.

Tope auxiliar (Fig. 33)

Haga el tope auxiliar de piezas de contrachapado de 9,5 mm y 19 mm.

Corte al hilo

PRECAUCIÓN:

- Cuando corte al hilo, quite el calibrador de ingletes de la mesa.

- Cuando corte piezas de trabajo largas o grandes, disponga siempre de un apoyo adecuado por detrás de mesa. NO permita que una plancha larga se mueva o cambie de posición en la mesa. Esto hará que el disco se trabe y aumentará la posibilidad de contragolpes y lesiones personales. El apoyo deberá ser de la misma altura que la mesa.

1. Ajuste la profundidad de corte un poco por encima del grosor de la pieza de trabajo. (Fig. 34)
2. Coloque el tope lateral en el ancho deseado y encájelo haciendo girar la empuñadura.
3. Ponga en marcha la herramienta y haga pasar la pieza de trabajo por el disco suavemente, apoyándola a lo largo del tope lateral.
 - (1) Cuando el ancho de corte sea de 150 mm y superior, utilice con cuidado su mano derecha para hacer pasar la pieza de trabajo. Utilice su mano izquierda para sujetar la pieza de trabajo en posición contra el tope lateral. (Fig. 35)
 - (2) Cuando el ancho de corte sea de 65 mm - 150 mm, utilice el listón de empuje para hacer pasar la pieza de trabajo. (Fig. 36)
 - (3) Cuando el ancho de corte sea inferior a 65 mm, el listón de empuje no se podrá usar porque golpeará el protector del disco. Utilice el bloque de empuje y el tope auxiliar. Coloque el tope auxiliar en el tope lateral con dos mordazas "C". (Fig. 37)

Haga pasar la pieza de trabajo a mano hasta que el extremo esté a unos 25 mm del extremo frontal de la mesa. Siga avanzando con el bloque de empuje en la parte superior del tope auxiliar hasta que se complete el corte. (Fig. 38)

Corte transversal

PRECAUCIÓN:

- Cuando realice un corte transversal, quite el tope lateral de la mesa.
- Cuando corte piezas de trabajo largas o grandes, disponga siempre de apoyo adecuado a los lados de la mesa. El apoyo deberá ser de la misma altura que la mesa.
- Mantenga siempre las manos alejadas de la trayectoria del disco.

Calibrador de ingletes (Fig. 39)

Utilice el calibrador de ingletes para los 4 tipos de cortes que se muestran en la figura.

PRECAUCIÓN:

- Fije la perilla en el calibrador de ingletes con cuidado.
- Evite el deslizamiento entre la pieza de trabajo y el calibrador sujetándolos firmemente, en especial cuando corte en ángulo.
- NUNCA sujete ni agarre la parte que se cortará de la pieza de trabajo.
- Ajuste siempre la distancia entre el extremo del calibrador de inglete y la hoja de la sierra para que no exceda los 15 mm.

Uso del calibrador de ingletes (Fig. 40)

Deslice el calibrador de ingletes en las ranuras anchas de la mesa. Afloje la perilla del calibrador y alinéelo con el ángulo deseado (de 0° a 60°). Coloque la pieza de trabajo

contra el tope y la mesa deslizante, fijela con la abrazadera del calibrador de ingletes y hágala pasar con suavidad por el disco.

Revestimiento de madera auxiliar (calibrador de ingletes) (Fig. 41)

Para evitar que un tablón largo se alabee, acople al calibrador de ingletes un tablón de tope auxiliar. Realice la unión con tornillos y tuercas después de realizar orificios, pero los elementos de sujeción no deben sobresalir del tope auxiliar.

Transporte de la herramienta (Fig. 42)

Asegúrese de que la herramienta esté desenchufada. Transporte la herramienta sujetándola por la pieza que se muestra en la figura.

PRECAUCIÓN:

- Fije siempre todas las partes móviles antes de transportar la herramienta.
- Asegúrese siempre de que el protector del disco esté instalado en su lugar antes de transportar la herramienta.

MANTENIMIENTO

PRECAUCIÓN:

- Asegúrese siempre de que la herramienta esté apagada y desenchufada antes de intentar realizar cualquier trabajo de inspección o mantenimiento en ella.

AVISO:

- Nunca utilice gasolina, benceno, disolvente, alcohol o un producto similar. Se puede provocar una decoloración, una deformación o grietas.

Limpieza

Limpie el serrín y los trozos sobrantes de vez en cuando. Limpie con cuidado el protector de disco y las partes móviles del interior de la sierra de mesa.

Lubricación

Para mantener la sierra de mesa en condiciones óptimas de funcionamiento y, para asegurar una vida útil lo más larga posible, lubrique o engrase las partes móviles y giratorias periódicamente.

Lugares que deben lubricarse:

- Eje roscado para elevar el disco
- Articulación para girar el bastidor
- Ejes guía de elevación en el motor
- Engranaje para elevar el disco

Reemplazo de las escobillas de carbón (Fig. 43)

Extraiga y compruebe las escobillas de carbón regularmente.

Reemplácelas cuando se gasten hasta una longitud de 3 mm. Mantenga las escobillas de carbón limpias y de forma que entren libremente en los portaescobillas.

Reemplace las dos escobillas de carbón al mismo tiempo. Utilice únicamente escobillas de carbón idénticas.

(Fig. 44)

Utilice un destornillador para extraer las tapas de los portaescobillas. Para reemplazar las escobillas de

carbón, retire el protector del disco y el disco y afloje la palanca de bloqueo, incline la cabeza de la sierra y fjela en un ángulo de bisel de 45°. Dé la vuelta a la herramienta con cuidado hacia atrás. A continuación, afloje la tapa del portaescobillas. Extraiga las escobillas de carbón desgastadas, inserte las nuevas y cierre las tapas de los portaescobillas.

Para conservar la SEGURIDAD y la FIABILIDAD del producto, los trabajos de reparación y otros trabajos de mantenimiento y ajuste deberán ser realizados en centros de servicio autorizados de Makita, utilizando siempre repuestos Makita.

ACCESORIOS

PRECAUCIÓN:

- Se recomienda el uso de estos accesorios o complementos con la herramienta Makita especificada en este manual. El uso de otros accesorios o complementos puede conllevar el riesgo de ocasionar daños corporales. Utilice los accesorios o complementos solamente para su fin establecido.

Si necesita cualquier ayuda para obtener más información relativa a estos accesorios, pregunte al centro de servicio Makita local.

- Tope lateral
- Cartabón de inglete
- Llave 24
- Llave Allen 5
- Junta (para conectar el recolector de polvo)
- Conjunto de soporte

Ruido ENG905-1
Niveles típicos de ruido ponderado A determinados conforme a EN61029:

Nivel de presión de sonido (L_{pA}): 92 dB (A)
Nivel de potencia de sonido (L_{WA}): 105 dB (A)
Incertidumbre (K): 3 dB (A)

Utilice protección para los oídos.

Sólo para países europeos ENH022-3

Declaración de conformidad de la CE

Nosotros, Makita Corporation, en calidad de fabricante responsable, declaramos que las siguientes máquinas Makita:

Designación de la máquina:

Sierra de mesa

Nº de modelo/ Tipo: MLT100

son de producción serie y

Cumplen con las siguientes Directivas europeas:

2006/42/CE

Y se han fabricado de acuerdo con los siguientes estándares o documentos estandarizados:

EN61029

Certificado de examen de tipo CE Nº BM 50170011 0001, BM 50170011 0002

El examen de tipo CE fue realizado por:

TÜV RHEINLAND Product safety GmbH Am Grauen

Stein 51105

Köln, Alemania

Nº de identificación 0197

La documentación técnica la conserva nuestro representante autorizado en Europa, que es:

Makita International Europe Ltd.,
Michigan, Drive, Tongwell,
Milton Keynes, Bucks MK15 8JD, Inglaterra

15. 12. 2009



Tomoyasu Kato
Director

Makita Corporation
3-11-8, Sumiyoshi-cho,
Anjo, Aichi, 446-8502, JAPAN

PORTUGUÊS (Instruções de origem)

Descrição geral

- | | | |
|---|--|--------------------------------------|
| 1. Diâmetro do orifício 8 mm | 16. Sub-mesa (R) | 32. Parafusos sextavados |
| 2. Anilha padrão de 6 mm | 17. Sub-mesa (posterior) | 33. Alavanca |
| 3. Parafuso para madeira N.º 10
40 mm comprimento mínimo | 18. Mesa deslizante | 34. Escala |
| 4. Parafuso de fixação de 6 mm e porca, apertar bem | 19. Placa de bloqueio | 35. Linha de orientação |
| 5. Alavanca impulsora | 20. Chave | 36. Parafuso |
| 6. Vedação para escarificação (Guia paralela) | 21. Porca sextavada | 37. Paralelo face/extremidade |
| 7. Medidor de corte angular | 22. Flange interior | 38. Parafuso de madeira |
| 8. Pega | 23. Anel | 39. Colar |
| 9. Ponteiro de seta | 24. Lâmina | 40. Vedação auxiliar |
| 10. Alavanca de bloqueio | 25. Flange exterior | 41. Bloco impulsor |
| 11. Parafuso de ajuste de 90° | 26. Protecção da lâmina | 42. Corte transversal |
| 12. Parafuso de ajuste de 45° | 27. Lâmina separadora | 43. Corte angular |
| 13. Interruptor | 28. Parte de montagem da protecção da lâmina (tirante) | 44. Corte em bisel |
| 14. Botão de reinício | 29. Lâmina | 45. Corte angular composto (ângulos) |
| 15. Parafusos | 30. Estas duas folgas devem ser iguais. | 46. Manipulo |
| | 31. Parafusos sextavados (A) | 47. Tampa do porta-escovas |
| | | 48. Chave de parafusos |

ESPECIFICAÇÕES

Modelo		MLT100	
		(para os países europeus)	(para os países fora da Europa)
Orifício do mandril		30 mm	25 mm e 25,4 mm
Diâmetro da lâmina		260 mm	255 mm
Capacidades máximas de corte	90°	93 mm	90,5 mm
	45°	64 mm	63 mm
Sem velocidade de rotação em carga (mín. ⁻¹)		4.300	
Dimensão da mesa (C x L)		(685 mm - 835 mm) x (955 mm - 1.305 mm) com as sub-mesas (R) e (posterior)	(685 mm - 835 mm) x (955 mm - 1.305 mm) com as sub-mesas (R) e (posterior)
Dimensões (C x L x A) com mesa (s) não alargadas		726 mm x 984 mm x 333 mm com sub-mesas (R) e (posterior)	726 mm x 984 mm x 333 mm com sub-mesas (R) e (posterior)
Peso líquido		34,1 kg	34,1 kg
Classe de segurança		II/II	

- Devido à pesquisa e desenvolvimento constantes, estas especificações estão sujeitas a alteração sem aviso prévio.
- Estas especificações podem diferir de país para país.
- Peso de acordo com procedimento EPTA de 01/2003

Símbolos

END215-3

Descrição dos símbolos utilizados no equipamento.
Certifique-se de que compreende o seu significado, antes da utilização.



..... Leia o manual de instruções.



..... BLINDAGEM DUPLA



..... Use óculos de segurança.



..... Não aproxime as mãos nem os dedos da lâmina.

Utilização prevista

ENE003-1

A ferramenta destina-se a cortar madeira.

Fonte de alimentação

ENF002-1

A ferramenta apenas deve ser ligada a uma fonte de alimentação da mesma tensão que a indicada na chapa de especificações, e apenas pode funcionar com uma alimentação CA monofásica. Estão blindadas duplamente, de acordo com a Norma Europeia e podem, assim, ser igualmente ligadas a tomadas sem fio terra.

Avisos gerais de segurança para ferramentas eléctricas

GEA010-1

⚠ AVISO Leia todos os avisos de segurança e todas as instruções. O não cumprimento dos avisos e instruções pode resultar na ocorrência de choques eléctricos, incêndios e/ou ferimentos graves.

Guarde todos os avisos e instruções para referência futura.

REGRAS ADICIONAIS DE SEGURANÇA PARA A FERRAMENTA

ENB095-1

GUARDE ESTAS INSTRUÇÕES.

1. Utilize protecção para os olhos.
2. Não utilize a ferramenta na presença de líquidos ou gases inflamáveis.
3. NUNCA utilize a ferramenta com um disco de corte abrasivo instalado.
4. Verifique cuidadosamente se a lâmina apresenta fissuras ou danos, antes de utilizar. Substitua imediatamente uma lâmina fissurada ou danificada.
5. Utilize apenas lâminas recomendadas pelo fabricante e em conformidade com EN847-1 e certifique-se de que a lâmina separadora não é mais grossa que a largura do corte feito pela lâmina nem mais fina que o corpo da lâmina.
6. Utilize sempre os acessórios recomendados neste manual. A utilização de acessórios inadequados como discos de corte abrasivos, pode causar ferimentos.
7. Seleccione a lâmina correcta para o material a cortar.
8. Não utilize lâminas fabricadas em aço para altas velocidades.
9. Para reduzir o nível de emissão de ruído, certifique-se sempre de que a lâmina está afiada e limpa.
10. Utilize correctamente as lâminas afiadas. Obedeça à velocidade máxima indicada na lâmina.
11. Limpe o fuso, as flanges (especialmente a superfície de instalação) e a porca sextavada antes de instalar a lâmina. Uma má instalação pode causar vibrações/oscilações ou deslizamento da lâmina.
12. Utilize a protecção da lâmina e a lâmina separadora em todas as operações possíveis, incluindo as operações de serragem completa. Instale sempre a protecção da lâmina de acordo com as instruções realçadas neste manual. Nas operações de serragem, a lâmina por vezes corta completamente a peça como na escarificação ou corte transversal. NUNCA utilize a ferramenta com uma protecção da lâmina defeituosa nem fixe a protecção da lâmina com uma corda, fio, etc. Qualquer operação irregular da protecção da lâmina deve ser corrigida imediatamente.
13. Encaixe imediatamente a protecção e a lâmina separadora depois de completar uma operação que exige a remoção da protecção.
14. Não corte objectos de metal como pregos e parafusos. Verifique a existência e retire todos os pregos, parafusos e outro material estranho da peça de trabalho, antes de utilizar a ferramenta.
15. Retire chaves, peças de corte, etc. da mesa antes de ligar o interruptor.
16. NUNCA utilize luvas durante a operação.
17. Mantenha as mãos afastadas do percurso da lâmina.
18. NUNCA se situe nem permita que alguém se situe no percurso da lâmina.
19. Certifique-se de que a lâmina não está em contacto com a lâmina separadora ou peça de trabalho antes de ligar o interruptor.
20. Antes de utilizar a ferramenta numa peça de trabalho, deixe-a a trabalhar durante algum tempo. Procure a existência de vibrações ou oscilações que possam indicar uma má fixação ou uma lâmina mal equilibrada.
21. A ferramenta não deve ser utilizada para realizar fendas, entalhes ou ranhuras.
22. Substitua a inserção da mesa quando estiver desgastada.
23. NUNCA faça ajustes com a ferramenta em funcionamento. Desligue a ferramenta antes de fazer quaisquer ajustes.
24. Utilize uma alavanca impulsora quando necessário. As alavancas de empurrar TÊM de ser utilizadas na escarificação de peças de trabalho estreitas de modo a manter as mãos e os dedos afastados da lâmina.
25. Guarde sempre a alavanca impulsora quando não está a ser utilizada.
26. Preste atenção particular às instruções para reduzir o risco de COICE. O COICE é uma reacção súbita a uma lâmina atracada, dobrada ou desalinhada. O COICE causa a ejeção da peça de trabalho da ferramenta em direcção ao operador. OS COICES PODEM CAUSAR FERIMENTOS PESSOAIS GRAVES. Evite os COICES ao manter a lâmina afiada, ao manter a vedação de escarificação paralela à lâmina, ao manter a lâmina separadora e a protecção da lâmina no lugar e em pleno funcionamento, não largando a peça de trabalho até esta passar completamente pela lâmina e não fazendo escarificação numa peça torcida ou deformada ou que não tenha uma extremidade a direito para guiar ao longo da vedação.
27. Não efectue qualquer operação à mão livre. Mão livre significa utilizar as mãos para suportar ou guiar a peça de trabalho, em vez de uma vedação de escarificação ou medidor do corte angular.
28. NUNCA coloque as mãos ou braços próximos ou sobre a lâmina para alcançar alguma coisa. NUNCA alcance uma peça de trabalho até a lâmina parar por completo.
29. Evite avanços rápidos e bruscos. Avance o mais lentamente possível quando cortar peças de trabalho duras. Não dobre nem torça a peça de trabalho à medida que avança. Se parar ou encravar a lâmina na peça de trabalho, desligue imediatamente a ferramenta. Desligue a ferramenta na corrente. De seguida, desencrave-a.
30. NUNCA retire as peças de corte perto da lâmina nem toque na protecção da lâmina enquanto a lâmina está a funcionar.
31. Retire quaisquer nós soltos da peça de trabalho ANTES de começar a cortar.
32. Não abuse do cabo de alimentação. Nunca puxe o cabo para desligá-lo da tomada. Mantenha o cabo

longe de fontes de calor, óleo, água ou pontas afiadas.

33. **O pó resultante de determinadas operações contém químicos conhecidos como causadores de cancro, defeitos congénitos e outros efeitos negativos ao nível da reprodução. Seguem-se alguns exemplos desses químicos:**
- chumbo de materiais pintados com tinta à base de chumbo e,
 - arsénico e crómio de madeira tratada quimicamente.
- O risco resultante da exposição a estes químicos varia, dependendo do número de vezes que faz este tipo de trabalho. Para reduzir a exposição a estes químicos: trabalhe numa área bem ventilada e utilizando equipamento de segurança aprovado como, por exemplo máscaras para o pó especialmente concebidas para filtrar partículas microscópicas.
34. Ligue a ferramenta a um dispositivo de recolha de pó enquanto estiver a serrar.
35. A protecção pode ser levantada durante a colocação da peça de trabalho e para limpar mais facilmente. Certifique-se sempre de que a protecção está para baixo e encostada à mesa da serra antes de ligar a ferramenta.

GUARDE ESTAS INSTRUÇÕES.

INSTALAÇÃO

Posicionar a serra de mesa (Fig. 1 - 3)

Coloque a serra de mesa numa área bem iluminada e nivelada na qual tem um bom apoio de pés e equilíbrio. Deve ser instalada numa área com espaço suficiente para manusear facilmente a dimensão das peças de trabalho. A serra de mesa deve estar fixa com quatro parafusos ao banco de trabalho ou suporte da serra de mesa através dos orifícios situados na parte inferior da serra de mesa. Quando fixar a serra de mesa no banco de trabalho, certifique-se de que existe uma abertura na parte superior do banco de trabalho do mesmo tamanho que a abertura na parte inferior da serra de mesa para que o pó da serra possa cair.

Se, durante a operação, existir uma tendência da serra de mesa virar, deslizar ou deslocar-se, o banco de trabalho ou o suporte da serra de mesa deve ser fixo ao chão.

Acessórios de armazenamento (Fig. 4 e 5)

A alavanca impulsora, a régua triangular, a lâmina e as chaves podem ser armazenadas no lado esquerdo da base e a vedação de escarificação e o medidor de corte angular podem ser armazenados no lado direito da base.

DESCRIÇÃO DO FUNCIONAMENTO

PRECAUÇÃO:

- Certifique-se sempre de que a ferramenta está desligada no interruptor e da tomada antes de proceder a ajustes ou testes à mesma.

Regular a profundidade de corte (Fig. 6)

A profundidade de corte pode ser regulada ao rodar a pega. Rode a pega no sentido dos ponteiros do relógio para levantar a lâmina ou no sentido oposto para a baixar.

NOTA:

- Utilize uma definição de corte superficial quando cortar materiais finos de modo a obter um corte mais limpo.

Ajustar o ângulo de corte em bisel (Fig. 7)

Desaperte a alavanca de bloqueio no sentido contrário aos ponteiros do relógio e rode a manivela até obter o ângulo pretendido (0° - 45°).

O ângulo de corte em bisel é indicado pelo ponteiro de seta.

Após obter o ângulo pretendido, aperte a alavanca de bloqueio no sentido dos ponteiros do relógio para fixar a regulação.

PRECAUÇÃO:

- Após obter o ângulo de corte em bisel, certifique-se de que aperta bem a alavanca de bloqueio.

Ajustar os batentes fixos (Fig. 8 e 9)

A ferramenta está equipada com batentes fixos a 90° e 45° em relação à superfície da mesa. Para verificar e ajustar os batentes fixos, proceder da seguinte forma: Desloque a manivela o máximo possível ao rodá-la. Coloque uma régua triangular na mesa e verifique se a lâmina está a 90° ou 45° em relação à superfície da mesa. Se a lâmina estiver a um ângulo demonstrado na Fig. A, rode os parafusos de ajuste no sentido dos ponteiros do relógio; se estiver a um ângulo demonstrado na Fig. B rode os parafusos de ajuste no sentido contrário aos ponteiros do relógio para ajustar os batentes fixos. Depois de ajustar os batentes fixo, regule a lâmina a 90° em relação à superfície da mesa. De seguida, ajuste o ponteiro de seta para que a extremidade direita esteja alinhada com a graduação de 0°. (Fig. 10)

Ação do interruptor

PRECAUÇÃO:

- Retire a peça de trabalho da mesa.
- Desligue a ferramenta e prima o botão de reinício.
- Antes de ligar a ferramenta, certifique-se sempre de que esta está desligada.

Para ferramentas com interruptor do tipo botão (Fig. 11)

Para colocar a ferramenta em funcionamento, prima o botão ON (I).

Para parar a ferramenta, prima o botão OFF (O).

Para ferramentas com interruptor do tipo alavanca (Fig. 12)

Para colocar a ferramenta em funcionamento, levante o interruptor de alavanca. Para parar a ferramenta, baixe o interruptor de alavanca.

Sub-mesa (R) (Fig. 13 e 14)

Esta ferramenta é fornecida com uma sub-mesa (R) no lado direito da mesa principal. Para utilizar a sub-mesa (R), desaperte os dois parafusos do lado direito no sentido contrários aos ponteiros do relógio, abra-a a

mesa (R) completamente e, de seguida, aperte os dois parafusos para fixá-la.

Sub-mesa (posterior) (Fig. 15)

Para utilizar a sub-mesa (posterior), desaperte os parafusos do lado esquerdo e direito sob a mesa e abra-a até atingir o comprimento pretendido. De seguida, aperte firmemente o parafuso.

Mesa deslizante (Fig. 16)

PRECAUÇÃO:

- Depois de utilizar a mesa deslizante, certifique-se de que a bloqueia ao deslocar a placa de bloqueio para a posição vertical.

Esta ferramenta é fornecida com a mesa deslizante no lado esquerdo.

A mesa deslizante desliza para trás e para a frente. Rode as placas de bloqueio nos lados traseiro e frontal para a posição horizontal antes de a utilizar.

Segure a peça de trabalho com o medidor de corte angular através de um grampo no medidor de corte angular e deslize a peça de trabalho juntamente com o mesa deslizante aquando da operação de corte.

MONTAGEM

PRECAUÇÃO:

- Certifique-se sempre de que a ferramenta está desligada no interruptor e da tomada antes de efectuar qualquer trabalho na mesma.

A ferramenta é enviada da fábrica com a lâmina e a protecção da lâmina desinstaladas. Montar da seguinte forma:

Instalar ou remover a lâmina

PRECAUÇÃO:

- Certifique-se sempre de que a ferramenta está desligada e com a ficha desligada da tomada antes de instalar ou remover a lâmina.
- Utilize apenas a chave de tubo Makita fornecida para instalar ou remover a lâmina. Caso contrário, poderá apertar em demasia ou insuficientemente o parafuso sextavado. Isto poderá causar ferimentos.
- Utilize a seguinte lâmina. Não utilize lâminas de serra que não estejam em conformidade com as características especificadas nestas instruções.

Para o modelo	Diâ. máx.	Diâ. mín.	Espessura da lâmina	Entalhe
MLT100	260 mm	230 mm	1,8 mm ou menos	2 mm ou mais

PRECAUÇÃO:

- Verifique o diâmetro do orifício do fuso da lâmina antes de instalar a lâmina. Utilize sempre o anel correcto para o orifício do fuso da lâmina que pretende utilizar. (Fig. 17)

Retire a inserção da mesa na mesa. Segure a flange exterior com a chave e desaperte a porca sextavada no sentido contrário aos ponteiros do relógio com a chave.

De seguida, retire a flange exterior. (Fig. 18)

Monte flange interior, anel, lâmina, flange exterior e porca sextavada no fuso, certificando-se de que os dentes da

lâmina estão direccionados para baixo na parte frontal da mesa.

Instale sempre a porca sextavada com o lado reentrante virado para a flange exterior.

Para todos os países não europeus

PRECAUÇÃO:

- O anel com um diâmetro externo de 25,4 mm é instalado de fábrica no fuso.

Para os países europeus

PRECAUÇÃO:

- O anel com um diâmetro externo de 30 mm é instalado de fábrica entre as flanges interior e exterior.
- Mantenha a superfície da flange isenta de sujidade ou outro material aderente; pode causar deslizamento da lâmina. Certifique-se de que a lâmina está instalada de modo a que os dentes estejam alinhados com a direcção de corte (rotação).

Para fixar a lâmina, segure a flange exterior com a chave de bocas, de seguida, aperte a porca sextavada no sentido dos ponteiros do relógio com a chave.

CERTIFIQUE-SE DE QUE APERTA BEM A PORCA SEXTAVADA. (Fig. 19)

PRECAUÇÃO:

- Certifique-se de que segura a porca sextavada cuidadosamente com a chave. Se a mão escorregar, a chave pode sair da porca sextavada e a sua mão pode bater nas extremidades afiadas da lâmina.

Instalar a protecção da lâmina (Fig. 20 e 21)

PRECAUÇÃO:

- Antes de instalar a protecção da lâmina, ajuste a profundidade de corte para o limite máximo.

Para o tipo de protecção de lâmina não europeu

Retire a tampa central. Insira a lâmina separadora na parte de montagem da protecção da lâmina (tirante). Aperte os parafusos sextavados (A) com a chave fornecida.

Para o tipo de protecção de lâmina europeu (Fig. 22 e 23)

Retire a tampa central. Insira a lâmina separadora na parte de montagem da protecção da lâmina (tirante). Aperte os parafusos sextavados (A) com a chave fornecida.

Coloque a protecção da lâmina na ranhura na lâmina separadora.

Segure a protecção da lâmina rodando a alavanca na protecção da lâmina.

Para o tipo de protecção de lâmina não europeu e europeu

O local de instalação da lâmina separadora é ajustado na fábrica para que a lâmina e a lâmina separadora estejam num linha recta.

No entanto, se não estiverem numa linha recta, desaperte os parafusos sextavados (B) e ajuste a parte de montagem da protecção da lâmina (tirante) para que a lâmina separadora esteja alinhada directamente atrás da lâmina. De seguida, aperte os parafusos sextavados (B) para fixar o tirante. (Fig. 24)

PRECAUÇÃO:

- Se a lâmina e a lâmina separadora não estiverem devidamente alinhadas, pode causar um estado atarracado perigoso durante a operação. Certifique-se de que estão devidamente alinhadas. Pode sofrer ferimentos pessoais graves enquanto utiliza a ferramenta com uma lâmina separadora desalinhada.
- NUNCA faça ajustes com a ferramenta em funcionamento. Desligue a ferramenta antes de fazer quaisquer ajustes.
- Não retire a faca separadora. (Fig. 25)

Tem de existir uma folga de cerca de 4 - 5 mm entre a lâmina separadora e os dentes da lâmina. Solte os parafusos sextavados (A) e ajuste a faca separadora em conformidade e aperte bem os parafusos sextavados (A). Encaixe a inserção da mesa na mesa, de seguida, certifique-se de que a protecção da lâmina funciona correctamente antes de cortar.

Instalar e ajustar a vedação de escarificação (Fig. 26)

Instale a vedação de escarificação para que o suporte da vedação engate na guia mais próxima.

Para fixar a vedação de escarificação, rode ao máximo a alavanca no suporte da vedação.

Certifique-se de que a vedação de escarificação está paralela à lâmina, fixe a vedação de escarificação a 2 - 3 mm da lâmina.

Levante a lâmina ao máximo. Marque um dos dentes da lâmina com um marcador. Meça a distância (A) E (B) entre a vedação de escarificação e a lâmina. Meça tudo a partir do dente marcado com o marcador.

Estas duas medições devem ser iguais. Se a vedação de escarificação não estiver paralela à lâmina, proceda da seguinte forma: (Fig. 27 e 28)

1. Fixe a vedação de escarificação baixando a alavanca na vedação.
2. Desaperte os dois parafusos sextavados na vedação de escarificação com a chave sextavada fornecida.
3. Ajuste a vedação de escarificação até estar paralela à lâmina.
4. Aperte os dois parafusos sextavados na vedação de escarificação (Fig. 29)

PRECAUÇÃO:

- Certifique-se de que ajusta a vedação de escarificação de modo a que esteja paralela à lâmina, caso contrário pode ocorrer um coice perigoso.

Subir a vedação de escarificação até encostar à parte lateral da lâmina. Certifique-se de que a guia no suporte da vedação está direccionada para a graduação 0. Se a guia não estiver direccionada para a graduação 0, desaperte o parafuso na placa de escala e ajuste a placa de escala. (Fig. 30)

Ligar a um aspirador (Fig. 31)

As operações de limpeza pode ser desempenhadas ao ligar a ferramenta ao aspirador ou colector de pó Makita.

FUNCCIONAMENTO

PRECAUÇÃO:

- Utilize sempre "ajudantes" como alavancas impulsoras e blocos impulsores quando existe o risco das mãos ou dedos se aproximarem da lâmina.
- Segure sempre bem a peça de trabalho com a mesa e a vedação de escarificação ou medidor de corte angular. Não a dobre nem torça à medida que avança. Se a peça de trabalho for dobrada ou torcida, podem ocorrer coices perigosos.
- NUNCA retire a peça de trabalho com a lâmina em funcionamento. Se tiver de retirar a peça de trabalho antes de completar um corte, desligue primeiro a ferramenta enquanto segura a peça de trabalho com firmeza. Aguarde até que a lâmina pare por completo antes de retirar a peça de trabalho. Caso contrário, poderá causar coices perigosos.
- NUNCA retire material de corte com a lâmina em funcionamento.
- NUNCA coloque as suas mãos ou dedos no percurso da lâmina. Tenha muito cuidado com os cortes em bisel.
- Fixe sempre a vedação de escarificação, caso contrário podem ocorrer coices perigosos.
- Utilize sempre "ajudantes", tais como hastes e blocos para empurrar, quando utilizar peças de trabalho pequenas ou estreitas.

Ajudantes

Alavancas impulsoras, blocos impulsores ou vedação auxiliar são tipos de "ajudantes". Utilize-os para fazer cortes seguros e certos sem a necessidade do operador entrar em contacto com a lâmina.

Bloco impulsor (Fig. 32)

Utilize uma peça de 19 mm de contraplacado. A pega deve estar ao centro da peça de contraplacado. Aperte com cola e parafusos de madeira como demonstrado. Peças pequenas de 9,5 mm x 8 mm x 50 mm de madeira têm sempre de ser coladas ao contraplacado para evitar que a lâmina abraque se o operador cortar o bloco impulsor por engano. (Nunca utilize pregos no bloco impulsor.)

Vedação auxiliar (Fig. 33)

Faça a vedação auxiliar a partir de peças de contraplacado de 9,5 mm e 19 mm.

Escarificar

PRECAUÇÃO:

- Quando escarificar, retire o medidor de corte angular da mesa.
 - Quando cortar peças de trabalho longas ou largas, proporcione sempre suporte adequado atrás da mesa. NÃO permita que uma prancha longa se desloque na mesa. Isto fará com que a lâmina dobre e aumenta a possibilidade de coice e ferimentos pessoais. O suporte deve estar à mesma altura da mesa.
1. Ajuste a profundidade de corte um pouco acima da espessura da peça de trabalho. (Fig. 34)
 2. Posicione a vedação de escarificação na largura pretendida e bloqueie-a ao rodar a pega.

3. Rode a ferramenta e avance suavemente a peça de trabalho na lâmina juntamente com a vedação de escarificação.

- (1) Quando a largura da escarificação for de 150 mm, utilize cuidadosamente a sua mão direita para avançar a peça de trabalho. Utilize a mão esquerda para segurar a peça de trabalho contra a vedação de escarificação. **(Fig. 35)**
- (2) Quando a largura da escarificação for de 65 mm - 150 mm, utilize a alavanca impulsora para avançar a peça de trabalho. **(Fig. 36)**
- (3) Quando a largura da escarificação for mais estreita que 65 mm, a alavanca impulsora não pode ser utilizada porque a alavanca de empurrar embate na protecção da lâmina. Utilize a vedação auxiliar e a alavanca impulsora. Engate a vedação auxiliar à vedação de escarificação com dois grampos "C". **(Fig. 37)**

Avance a peça de trabalho à mão até o fim estar a cerca de 25 mm da extremidade frontal da mesa. Continue a avançar através da alavanca impulsora sobre a vedação auxiliar até o corte estar completo. **(Fig. 38)**

Corte transversal

PRECAUÇÃO:

- Quando fizer um corte transversal, retire a vedação de escarificação da mesa.
- Quando cortar peças de trabalho longas ou largas, proporcione sempre suporte adequado nos lados da mesa. O suporte deve estar à mesma altura da mesa.
- Mantenha sempre as mãos afastadas do percurso da lâmina.

Medidor de corte angular (Fig. 39)

Utilize o medidor de corte angular para os 4 tipos de corte apresentados na ilustração.

PRECAUÇÃO:

- Fixe com cuidado o manípulo no medidor de deslizamento.
- Evite a fluência da peça de trabalho e fixe-a de forma segura, especialmente quando cortar em ângulo.
- NUNCA segure ou agarre a parte de "corte" pretendida da peça de trabalho.
- Regule sempre a distância entre o fim do medidor do corte angular e a lâmina de serra, para que não exceda os 15 mm.

Utilização do medidor de corte angular (Fig. 40)

Deslize o medidor de corte angular para as ranhuras espessas na mesa. Desaperte o manípulo no medidor e alinhe para o ângulo pretendido (0° a 60°). Suba a vedação e a mesa deslizante, fixe com grampo no medidor de corte angular e avance suavemente para a lâmina.

Face de madeira auxiliar (medidor de corte angular) (Fig. 41)

Para evitar que uma prancha comprida abane, instale uma prancha separadora auxiliar no medidor de corte angular. Aperte com parafusos/porcas após fazer os orifícios, mas os dispositivos de aperto não devem ficar salientes em relação à face da prancha.

Transportar a ferramenta (Fig. 42)

Certifique-se de que a ferramenta está desligada da tomada.

Transporte a ferramenta pegando pela parte da ferramenta ilustrada na figura.

PRECAUÇÃO:

- Fixe sempre todas as peças móveis antes de transportar a ferramenta.
- Certifique-se sempre de que a protecção da lâmina está instalada antes de transportar a ferramenta.

MANUTENÇÃO

PRECAUÇÃO:

- Certifique-se sempre de que a ferramenta está desligada no interruptor e da tomada antes de inspecionar ou fazer a manutenção da ferramenta.

AVISO:

- Nunca utilize gasolina, benzina, diluente, álcool ou semelhante. Podem formar-se descolorações, deformações ou fissuras.

Limpeza

Limpe o pó da serra e aparas periodicamente. Limpe cuidadosamente a protecção da lâmina e as peças móveis dentro da serra de mesa.

Lubrificação

Para manter a serra de mesa em excelente condição de funcionamento e para garantir uma maior vida útil, lubrifique as peças móveis e giratórias periodicamente.

Locais de lubrificação:

- Veio roscado para elevar a lâmina
- Articulação para rodar a estrutura
- Veios-guia de elevação no motor
- Engrenagem para elevar a lâmina

Substituir as escovas de carvão (Fig. 43)

Remova e verifique regularmente as escovas de carvão. Substitua-as quando estas atingirem 3 mm de comprimento. Mantenha-as limpas e soltas para poderem deslizar nos suportes.

Substitua as duas ao mesmo tempo. As escovas de um mesmo par utilizado devem ser idênticas. **(Fig. 44)**

Utilize uma chave de parafusos para remover as tampas do porta-escovas. Para substituir as escovas de carvão, retire a protecção da lâmina e a lâmina e, de seguida, desaperte a alavanca de bloqueio, incline a cabeça da serra e fixe-a a um ângulo bisel de 45°. Deite a ferramenta virada para cima. De seguida, desaperte a tampa do porta-escovas. Retire as escovas de carvão usadas, coloque umas novas e fixe as tampas do porta-escovas.

Para manter os níveis de SEGURANÇA e FIABILIDADE definidos para este produto, reparações, operações de manutenção ou ajustes devem ser executados por centros de assistência Makita autorizados e, no caso de substituição de peças, estas devem ser igualmente Makita.

ACESSÓRIOS

PRECAUÇÃO:

- Os seguintes acessórios ou extensões são os recomendados para utilizar com a ferramenta Makita especificada neste manual. A utilização de outros acessórios ou extensões podem provocar ferimentos. Utilize cada acessório ou extensão apenas para o fim indicado.

Se precisar de informações adicionais relativas aos acessórios, contacte o centro local de assistência Makita.

- Vedação para escarificação
- Medidor de corte angular
- Chave 24
- Chave sextavada 5
- Junta (para ligar o colector de pó)
- Conjunto do suporte

Ruído

ENG905-1

Os níveis acústicos ponderados A típicos foram determinados segundo a EN61029:

Nível de pressão sonora (L_{pA}): 92 dB (A)

Nível de potência sonora (L_{WA}): 105 dB (A)

Incerteza (K): 3 dB (A)

Use protecção para os ouvidos.

Apenas para os países europeus

ENH022-3

Declaração de conformidade CE

A Makita Corporation, na qualidade do fabricante responsável, declara que a(s) máquina(s) Makita seguinte(s):

Designação da máquina:

Serra de mesa

N.º de modelo/Tipo: MLT100

são produzidas em série e

estão em conformidade com as Directivas Europeias seguintes:

2006/42/EC

E são fabricadas de acordo com as normas ou os documentos padronizados seguintes:

EN61029

Certificado de exame do tipo EC n.ºBM 50170011 0001, BM 50170011 0002

O Certificado de Exame CE de Tipo foi executado por:

TÜV RHEINLAND Product safety GmbH Am Grauen

Stein 51105

Köln, Alemanha

Nº identificação 0197

A documentação técnica é mantida pelo nosso representante autorizado na Europa, que é:

Makita International Europe Ltd.,

Michigan Drive, Tongwell,

Milton Keynes, Bucks MK15 8JD, Inglaterra

15. 12. 2009



Tomoyasu Kato

Director

Makita Corporation

3-11-8, Sumiyoshi-cho,

Anjo, Aichi, 446-8502, JAPAN

DANSK (Originalvejledning)

Forklaring til generel oversigt

- | | | |
|--|--|---|
| 1. Huldiameter 8 mm | 17. Ekstrabord (bagpå) | 33. Håndtag |
| 2. 6 mm standard spændeskive | 18. Skydebord | 34. Skala |
| 3. Nr. 10 træskruer 40 mm minimumslængde | 19. Låseplade | 35. Retningslinje |
| 4. 6 mm monteringsbolt og møtrik strammes ordentligt | 20. Skruenøgle | 36. Skruer |
| 5. Skubbestok | 21. Sekskantmøtrik | 37. Forside/kant parallel |
| 6. Kløveanslag (styrepind) | 22. Indvendig flange | 38. Træskruer |
| 7. Geringsskala | 23. Ring | 39. Sammenføring |
| 8. Håndtag | 24. Savklinge | 40. Hjæpeanslag |
| 9. Pilemarkør | 25. Udvendig flange | 41. Tryklods |
| 10. Låsearm | 26. Beskyttelsesskærm | 42. Tværnit |
| 11. 90° justeringskruer | 27. Spaltekniv | 43. Geringsskæring |
| 12. 45° justeringskruer | 28. Monteringsstykke til beskyttelsesskærm (metalstykke) | 44. Skræskæring |
| 13. Afbryder | 29. Klinge | 45. Kombineret geringsskæring (vinkler) |
| 14. Genstartknap | 30. Disse to mellemrum skal være lige store. | 46. Knap |
| 15. Skruer | 31. Sekskantbolte (A) | 47. Børsteholderdæksel |
| 16. Ekstrabord (H) | 32. Sekskantmøtrikker | 48. Skruetrækker |

SPECIFIKATIONER

Model	MLT100		
	(for lande i Europa)	(for lande udenfor Europa)	
Skaftthul	30 mm	25 mm og 25,4 mm	
Klingediameter	260 mm	255 mm	
Maksimal skærekapacitet	90° 45°	93 mm 64 mm	90,5 mm 63 mm
Hastighed uden belastning (min ⁻¹)	4.300		
Bordstørrelse (L x B)	(685 mm - 835 mm) x (955 mm - 1.305 mm) med ekstraborde (H) og (bagpå)	(685 mm - 835 mm) x (955 mm - 1.305 mm) med ekstraborde (H) og (bagpå)	
Mål (L x B x H) med bord(e), ikke udvidet	726 mm x 984 mm x 333 mm med ekstraborde (H) og (bagpå)	726 mm x 984 mm x 333 mm med ekstraborde (H) og (bagpå)	
Nettovægt	34,1 kg	34,1 kg	
Sikkerhedsklasse	II/II		

- På grund af vores løbende forsknings- og udviklingsprogram kan specifikationerne heri ændres uden forudgående varsel.
- Specifikationerne kan variere fra land til land.
- Vægt i henhold til EPTA-Procedure 01/2003

Symboler

END215-3

Følgende viser de symboler, der benyttes til udstyret. Vær sikker på, at du forstår deres betydning, før du bruger værktøjet.



..... Læs brugsanvisningen.



..... DOBBELT ISOLERET



..... Bær beskyttelsesbriller.



..... Placer ikke hånd eller fingre tæt på klingens.

Tilsløst brug

ENE003-1

Værktøjet er beregnet til skæring i træ.

Strømforsyning

ENF002-1

Værktøjet bør kun sluttes til en strømforsyning med den spænding, der er angivet på navnepladen, og det kan kun benyttes med enkeltfasen vekselstrøm. Det er dobbelt isoleret i overensstemmelse med europæisk standard og kan derfor også sluttes til stikkontakter uden jordforbindelse.

Generelle sikkerhedsadvarsler for maskiner

GEA010-1

⚠ ADVARSEL Læs alle sikkerhedsadvarsler og alle instruktioner. Hvis De ikke følger alle advarsler og

instruktioner, kan det medføre elektrisk stød, brand og/eller alvorlig personskade.

Gem alle advarsler og instruktioner til senere reference.

YDERLIGERE SIKKERHEDSREGLER FOR VÆRKTØJET

ENB095-1

GEM DISSE INSTRUKTIONER.

1. Brug beskyttelsesbriller.
2. Brug ikke værktøjet i nærheden af brandbare væsker eller gasser.
3. BRUG ALDRIG værktøjet med en skæreskive påmonteret.
4. Efterse klingens omhyggeligt for revner eller beskadigelse før brugen. Udskift øjeblikkeligt revnede eller beskadigede klinger.
5. Brug kun savklinger der er anbefalet af producenten, og som overholder EN847-1, samt vær opmærksom på, at spaltekniven ikke må være tykkere end bredden på savklingsens snit, og ikke tyndere end klingens.
6. Brug altid det tilbehør, der anbefales i denne brugsanvisning. Brug af forkert tilbehør som fx skæreskiver, kan medføre tilskadecomst.
7. Vælg den rigtige savklinge, som passer til det materiale, der skal skæres.
8. Brug ikke savklinger, der er fremstillet af hurtigstål.
9. For at reducere den afgivne støj, bør du sikre dig, at klingens altid er skarp og ren.
10. Brug altid korrekt skærpede savklinger. Observer den maksimale hastighed, som er anført på savklingen.
11. Rengør spindler, flanger (især monteringsoverfladen) og sekskantmøtrik inden montering af klingens. Dårlig montering kan føre til vibration/slør eller at klingens glider.
12. Brug altid beskyttelsesskærm og spaltekniv, hvis det er muligt, inklusiv ved alle gennemsavninger. Monter altid beskyttelsesskærmen i henhold til instruktionerne i denne brugsanvisning. Gennemsavninger er når klingens skærer helt igennem arbejdsemnet som fx ved kløvning og tværnsnit. BRUG ALDRIG værktøjet med en defekt beskyttelsesskærm og forsøg aldrig at fastgøre beskyttelsesskærmen med et reb, snor eller lignende. Hvis beskyttelsesskærmen ikke fungerer normalt, skal den rettes med det samme.
13. Monter straks beskyttelsesskærmen og spaltekniven igen, efter du har fuldført et arbejde, hvor beskyttelsesskærmen har været taget af.
14. Skær ikke i genstande som fx søm og skruer. Se efter, og fjern alle søm, skruer og andre fremmedlegemer fra arbejdsemnet før arbejdet.
15. Fjern skruenøgler, afskårne dele osv. fra bordet inden der tændes på kontakten.
16. BRUG ALDRIG handsker under arbejdet.
17. Hold hænder væk fra savklingsens skærelinje.
18. STÅ ALDRIG, eller tillad at andre står, på savklingsens skærelinje.
19. Sørg for, at klingens ikke har kontakt med spaltekniven eller arbejdsemnet, før der tændes på kontakten.
20. Lad værktøjet køre et stykke tid, før det benyttes på et arbejdsemne. Hold øje med vibrationer eller svinger, der kan være tegn på en dårlig montering eller en dårligt afbalanceret klinge.
21. Værktøjet bør ikke bruges til notfræsning, falthøvling eller notning.
22. Udskift bordindsatsen når den er slidt.
23. FORETAG ALDRIG justeringer mens værktøjet kører. Frakobl værktøjet inden du udfører justeringer.
24. Brug en skubbestok hvis nødvendigt. Skubbestokke SKAL bruges ved kløvning af smalle arbejdsemner for at holde dine hænder og fingre væk fra klingens.
25. Læg skubbestokken væk når den ikke bruges.
26. Vær særlig opmærksom på anvisningerne for, hvordan man reducerer TILBAGESLAG. TILBAGESLAG er en pludselig reaktion på en fastklemt, bundet eller skæv savklinge. TILBAGESLAG medfører, at arbejdsemnet slynges bort fra værktøjet i retning af operatøren. TILBAGESLAG KAN FØRE TIL ALVORLIG PERSONSKADE. Undgå TILBAGESLAG ved altid at holde klingens skarp, ved at holde kløveanslaget parallelt med klingens, ved at holde spaltekniven og beskyttelsesskærmen på plads og i korrekt funktionsstand, ved ikke at frigøre arbejdsemnet, før det er ført hele vejen forbi klingens, og ved ikke at kløve et arbejdsemne, som er bøjet eller skævt eller som ikke har en lige kant til føring langs anslaget.
27. Udfør intet arbejde på frihånd. Frihånd betyder, at du bruger dine hænder til at støtte eller styre arbejdsemnet i stedet for et kløveanslag eller en geringsskala.
28. RÆK ALDRIG rundt om eller over savklingen. RÆK ALDRIG ud efter et arbejdsemne før savklingen er helt stoppet.
29. Undgå abrupt og hurtig fremføring. Før arbejdsemnet frem så langsomt som muligt, når der skæres i hårde arbejdsemner. Lad være med at bøje eller vride arbejdsemnet under fremføringen. Hvis klingens går i stå eller sætter sig fast i arbejdsstykket, skal du øjeblikkeligt slukke for værktøjet. Tag værktøjet ud af forbindelse. Afhjælp derefter problemet.
30. FJERN ALDRIG afskårne stykker i nærheden af klingens eller rør ved beskyttelsesskærmen, mens klingens kører.
31. Fjern alle løse knaster fra arbejdsemnet, INDEN du starter med at skære.
32. Undgå misbrug af ledningen. Træk aldrig i ledningen når du frakobler den fra stikkontakten. Hold ledningen væk fra varme, olie, vand og skarpe kanter.
33. Støv, som er frembragt under anvendelsen, kan indeholde kemikalier, der er kendt for være kræftfremkaldende, give fødselsskader eller

anden skade på forplantningsevnen. Nogle

eksempler på disse kemikalier er:

- bly fra materialer, der er malet med blyholdig maling og
- arsenik eller krom fra kemisk behandlet tømmer.
- Din risiko i forbindelse med udsættelse for disse kemikalier afhænger af, hvor ofte du udfører denne type arbejde. For at reducere udsættelse for disse kemikalier: Udfør kun arbejde i veludlufte områder og med anvendelse af godkendt sikkerhedsudstyr, såsom støvmasker, der er specielt konstrueret til at filtrere mikroskopiske partikler.

34. Slut værktøjet til en støvopsamlende anordning, når du saver.
35. Beskyttelseskærmen kan løftes op under opsætning af arbejdsemnet og for lette rengøringen. Sørg altid for, at beskyttelseskærmens hætte er nede og lægger fladt mod savbordet, inden du tilslutter værktøjet.

GEM DISSE INSTRUKTIONER.

MONTERING

Placering af bordsav (Fig. 1 - 3)

Placer bordsaven på et oplyst og plant sted, hvor du har godt fodfæste og kan holde balancen. Den bør placeres på et sted, hvor der er tilstrækkelig med plads til at håndtere den størrelse arbejdsemner, du anvender. Bordsaven skal fastgøres med fire skruer eller bolte til arbejdsbænken eller bordsavens stander ved hjælp af de huller, der befinder sig i bunden af bordsaven. Når du fastgør bordsaven på arbejdsbænken, skal du sørge for, at der er en åbning i arbejdsbænken på samme størrelse som åbningen i bunden af bordsaven, sådan at savsmulden kan falde igennem. Hvis der under arbejdet er bare en mindre tendens til at bordet kan tippe over, glide eller flytte sig, skal arbejdsbænken eller savstanderen fastgøres til gulvet.

Opbevaring af tilbehør (Fig. 4 og 5)

Skubbestok, trekantslineal, klinger og skruenøgler kan opbevares på venstre side af understellet, og kløveanslaget og geringskalaen kan opbevares på højre side af understellet.

FUNKTIONSBESKRIVELSE

FORSIGTIG:

- Sørg altid for, at værktøjet er slukket, og at stikket er taget ud af stikkontakten, før du justerer værktøjet eller kontrollerer dets funktion.

Indstilling af skæredybden (Fig. 6)

Skæredybden kan justeres ved at dreje på håndtaget. Drej håndtaget med urets retning for at løfte klingens og mod urets retning for at sænke den.

BEMÆRK:

- Brug en lille dybdeindstilling ved skæring i tynde materialer, således at der opnås et renere snit.

Justering af skråvinkel (Fig. 7)

Løsn låsearmen mod urets retning og drej håndhjulet indtil du opnår den ønskede vinkel ($0^\circ - 45^\circ$).

Skråvinklen angives af pilemarkøren.

Når den ønskede vinkel er opnået, strammes låsearmen i urets retning for at fastlåse justeringen.

FORSIGTIG:

- Efter justering af skråvinklen, skal du sørge for at stramme låsearmen ordentligt.

Justering i faste trin (Fig. 8 og 9)

Værktøjet er udstyret med faste trin på 90° og 45° på bordoverfladen. Gør som følgende for at kontrollere og justere de faste trin:

Flyt håndhjulet så langt som muligt ved at dreje det. Placer en trekantslineal på bordet og kontroller om klingens retning er i en vinkel på 90° eller 45° i forhold til bordoverfladen. Hvis klingens retning er i en vinkel som vist på Fig. A, skal du dreje justeringsskruerne i urets retning; hvis den er i en vinkel som vist på Fig. B, skal du dreje justeringsskruerne mod urets retning for at justere de faste trin.

Efter justering af de faste trin, skal du indstille klingens retning på 90° i forhold til bordoverfladen. Juster derefter pilemarkøren sådan at dens højre kant er på linje med graden 0° . (Fig. 10)

Betjening af kontakt

FORSIGTIG:

- Fjern arbejdsemnet fra bordet.
- Sluk for maskinen og tryk derefter på genstartknappen.
- Kontroller altid, at der er slukket for maskinen, før det slutes til stikkontakten.

For maskiner med afbryderknop (Fig. 11)

Tryk på TÆND-knappen (I) for at starte maskinen.

Tryk på SLUK-knappen (O) for at slukke for maskinen.

For maskiner med afbryderhåndtag (Fig. 12)

Start maskinen ved at løfte afbryderhåndtaget op. Stop maskinen ved at sænke afbryderhåndtaget.

Ekstrabord (H) (Fig. 13 og 14)

Dette værktøj er udstyret et ekstrabord (H) på højre side af hovedbordet. For at bruge ekstrabordet (H), skal du løsne to skruer på højre side mod urets retning, trække bordet (H) helt ud og stramme de to skruer for at fastgøre det.

Ekstrabord (bagpå) (Fig. 15)

For at anvende ekstrabordet (bagpå) skal du løsne skruerne i venstre og højre side under bordet og trække det bagud til den ønskede længde. Stram skruerne igen, når bordet er trukket ud til den ønskede længde.

Skydebord (Fig. 16)

FORSIGTIG:

- Sørg for at låse skydebordet ved at sætte låsepladen til den lodrette position efter brug.

På dette værktøj er skydebordet placeret på venstre side. Skydebordet kan skydes frem og tilbage. Drej låsepladerne bagved og foran om på den vandrette position inden brug.

Hold arbejdsemnet fast med geringsskalaen ved hjælp af en skruetvinge på geringsskalaen og skyd arbejdsemnet sammen skydebordet, når du udfører skærearbejdet.

MONTERING

FORSIGTIG:

- Sørg altid for, at værktøjet er slukket og taget ud af stikkontakten, før du udfører nogen form for arbejde på værktøjet.

Når værktøjet leveres fra fabrikken, er savklingen og beskyttelsesskærmen ikke monteret på korrekt plads.

Monter som følger:

Montering eller afmontering af savklingen

FORSIGTIG:

- Sørg altid for, at værktøjet er slukket, og at stikket er taget ud af stikkontakten, før du monterer eller afmonterer savklingen.
- Anvend kun den medfølgende Makita-topnøgle til at montere eller afmontere klingene. Ellers kan det føre til, at sekskantboltene spændes enten for meget eller for lidt. Det kan føre til personskader.
- Brug den følgende savklinge. Brug ikke savklinger, som ikke er i overensstemmelse med de egenskaber, som er angivet i disse instruktioner.

Til model	Maks. dia.	Min. dia.	Klingetykkelser	Savsnit
MLT100	260 mm	230 mm	1,8 mm eller mindre	2 mm eller mere

FORSIGTIG:

- Kontroller klingens skafthulsdiameter inden montering af klingene. Brug altid den korrekte ring til skafhullet på den klingende, du vil bruge. (Fig. 17)

Fjern bordindsatsen fra bordet. Hold den udvendige flange med skruenøglen og løs sekskantmøtrikken mod urets retning med skruenøglen. Tag den udvendige flange af. (Fig. 18)

Monter den indvendige flange, ring, savklinge, udvendige flange og sekskantmøtrik på skaffet, mens du sørger for, at klingens tænder peger nedad foran på bordet. Monter altid sekskantmøtrikken med den forsænkede side vendende mod den udvendige flange.

Gælder alle lande undtagen lande i Europa

FORSIGTIG:

- Ringen har en udvendig diameter på 25,4 mm og monteres på spindlen på fabrikken.

Gælder lande i Europa

FORSIGTIG:

- Ringen på 30 mm i udvendig diameter monteres på fabrikken mellem de indvendige og udvendige flanger.
 - Hold flangeoverfladen fri for snavs eller andet klæbende stof, eftersom det kan forårsage, at klingene skrider. Sørg for, at klingene er monteret sådan, at tænderne er rettet ind på skæren (dreje)-retningen.
- For at fastgøre klingene på plads, skal du holde den udvendige flange med skruenøglen, og derefter stramme sekskantmøtrikken med skruenøgle i urets retning. SØRG FOR AT STRAMME SEKSANTMØTRIKKEN ORDENTLIGT. (Fig. 19)

FORSIGTIG:

- Sørg for at holde sekskantmøtrikken omhyggeligt med skruenøglen. Hvis du mister grebet, kan skruenøglen slippe grebet på sekskantmøtrikken, og du kan komme i kontakt med den skarpe kling.

Montering af beskyttelsesskærm (Fig. 20 og 21)

FORSIGTIG:

- Inden montering af beskyttelsesskærmen skal skærebrynden justeres til dens maksimale højde.

Gælder ikke-europæisk beskyttelsesskærm

Fjern midterdækslet. Indsæt spaltekniven i monteringsstykket til beskyttelsesskærmen (metalstykke). Stram sekskantboltene (A) med den medfølgende skruenøgle.

Gælder europæisk beskyttelsesskærm (Fig. 22 og 23)

Fjern midterdækslet. Indsæt spaltekniven i monteringsstykket til beskyttelsesskærmen (metalstykke). Stram sekskantboltene (A) med den medfølgende skruenøgle.

Placer beskyttelsesskærmen i rillen på spaltekniven.

Fastgør beskyttelsesskærmen ved at dreje armen på beskyttelsesskærmen.

Gælder både europæiske og ikke-europæiske beskyttelsesskærme

Monteringsstedet for spaltekniven justeres på fabrikken, sådan at klingene og spaltekniven er på en lige linje. Men hvis de ikke er på en lige linje, skal du løsne sekskantboltene (B) og justere monteringsstykket til skærmbeskyttelsen (metalstykke), sådan at spaltekniven er rettet ind, direkte bag klingene. Stram derefter sekskantboltene (B) for at fastgøre metalstykket. (Fig. 24)

FORSIGTIG:

- Hvis klingene og spaltekniven ikke er korrekt rettet ind, kan der opstå en farlig fastklemning under savningen. Sørg for at de er korrekt rettet ind. Du kan komme alvorligt til skade, hvis du bruger værktøjet uden en korrekt rettet spaltekniv.
- FORETAG ALDRIG justeringer mens værktøjet kører. Frakobl værktøjet fra stikkontakten inden du udfører justeringer.
- Fjern ikke spaltekniven. (Fig. 25)

Der skal være et mellemrum på cirka 4 - 5 mm mellem spaltekniven og klingetænderne. Løs sekskantskruerne (A), juster spaltekniven efter behov og stram sekskantboltene (A) til. Monter bordindsatsen på bordet, kontroller derefter at beskyttelsesskærmen fungerer ordentligt inden savning.

Montering og justering af kløveanslaget (Fig. 26)

Monter kløveanslaget således at kløveanslagsholderen griber ind i styreskinnen.

Drej armen på kløveanslagsholderen helt om for at fastgøre kløveanslaget.

For at kontrollere om kløveanslaget er parallelt med klingene, fastgøres kløveanslaget 2 - 3 mm fra klingene. Løft klingene op på dens maksimale højde. Marker en af klingens tænder med kridt. Mål afstanden (A) og (B)

mellem kløveanslaget og klingen. Foretag begge målinger vha. den tand, der er mærket med kridt.

Disse to målinger bør være ens. Hvis kløveanslaget ikke er parallelt med klingen, skal du gøre som følger: (**Fig. 27 og 28**)

1. Fastgør kløveanslaget ved at sænke armen ned på det.
2. Løsn de to sekskantbolte på kløveanslaget med den medfølgende unbrakonøgle.
3. Juster kløveanslaget indtil det er parallelt med klingen.
4. Stram de to sekskantbolte på kløveanslaget. (**Fig. 29**)

FORSIGTIG:

- Sørg for at justere kløveanslaget sådan, at det er parallelt med klingen, ellers kan der opstå et farligt tilbageslag.

Placer kløveanslaget helt op mod siden på klingen. Sørg for, at retningslinjen på kløveanslagsholderen peger mod graden 0. Hvis retningslinjen ikke peger mod graden 0, skal du løse skruen på skalapladen og justere skalapladen. (**Fig. 30**)

Tilslutning til støvsuger (Fig. 31)

Rengøringsfunktioner kan udføres ved at slutte værktøjet til en Makita-støvsuger eller støvopsamler.

BETJENING

FORSIGTIG:

- Anvend altid "hjælpeanordninger" som for eksempel skubbestokke og trykklodser, hvis der er fare for, at hænder og fingre kommer for tæt på klingen.
- Hold altid arbejdsområdet fast med bordet og kløveanslaget eller geringsskalaen. Lad være med at bøje eller vride arbejdsområdet under fremføringen. Hvis arbejdsområdet er bøjet eller skævt, kan der opstå farlige tilbageslag.
- TRÆK ALDRIG arbejdsområdet tilbage, mens klingens roterer. Hvis det er nødvendigt at trække arbejdsområdet tilbage, inden snittet er fuldført, skal du først slukke for værktøjet, mens du holder godt fast i arbejdsområdet. Vent indtil klingens rotation er stoppet fuldstændigt, før arbejdsområdet trækkes tilbage. Det kan ellers medføre farlige tilbageslag.
- FJERN ALDRIG fraskær, mens savklingen roterer.
- PLACER ALDRIG dine hænder eller fingre i savklingens bane. Vær især påpasselig med skræskæringer.
- Fastspænd altid kløveanslaget forsvarligt, da der ellers kan opstå farlige tilbageslag.
- Brug altid "hjælpeanordninger" som f.eks. skubbestokke og trykklodser, når du saver små eller smalle arbejdsområder.

Hjælpeanordninger

Skubbestokke, trykklodser eller hjælpeanslag er forskellige typer "hjælpeanordninger". Anvend dem til at udføre sikkerhedsmæssigt forsvarlige snit, uden at operatøren behøver at komme i berøring med klingens med nogen del af kroppen.

Trykklods (Fig. 32)

Anvend et 19 mm stykke krydsfiner. Grebet bør være i midten af krydsfinerstykket. Fastgør med lim og træskruer som vist. Et lille stykke 9,5 mm x

8 mm x 50 mm træ skal altid limes på krydsfineret for at forhindre at klingens sløves, hvis operatøren ved en fejltagelse skærer ind i trykklodsen. (Brug aldrig søm i trykklodsen.)

Hjælpeanslag (Fig. 33)

Lav et hjælpeanslag af 9,5 mm og 19 mm krydsfinerstykker.

Kløvning

FORSIGTIG:

- Når der udføres kløvning, skal geringsskalaen fjernes fra bordet.
- Når der skæres i lange eller store arbejdsområder, skal der altid sikres tilstrækkelig støtte bag bordet. TILLAD IKKE, at en lang plade flytter sig eller bevæger sig på bordet. Det resulterer i, at savklingen binder og øger derved risikoen for tilbageslag og personskade. Støtten bør være i samme højde som bordet.

1. Indstil dybden på snittet til en smule større end tykkelsen på arbejdsområdet. (**Fig. 34**)
2. Anbring kløveanslaget til den ønskede kløvebredde og fastgør det ved at dreje grebet.
3. Tænd for værktøjet og før arbejdsområdet forsigtigt ind i savklingen langs kløveanslaget.
 - (1) Hvis kløvebredden er 150 mm og bredere, skal du føre arbejdsområdet forsigtigt frem med din højre hånd. Brug din venstre hånd til at holde arbejdsområdet i stilling mod kløveanslaget. (**Fig. 35**)
 - (2) Hvis kløvebredden er 65 mm - 150 mm bred, føres arbejdsområdet frem med skubbestokken. (**Fig. 36**)
 - (3) Hvis kløvebredden er mindre end 65 mm, kan skubbestokken ikke anvendes, fordi skubbestokken rammer beskyttelsesskærmen. Anvend hjælpeanslaget og trykklodsen. Monter hjælpeanslaget på kløveanslaget ved hjælp af to "C" skruetvinger. (**Fig. 37**)Fremfør arbejdsområdet med hånden, indtil enden er omkring 25 mm fra forkanten af bordet. Fortsæt med at fremføre arbejdsområdet med trykklodsen øverst på hjælpeanslaget, indtil snittet er fuldført. (**Fig. 38**)

Tværsnit

FORSIGTIG:

- Når der udføres et tværsnit, skal kløveanslaget fjernes fra bordet.
- Når der skæres i lange eller store arbejdsområder, skal der altid sikres tilstrækkelig støtte til bordets sider. Støtten bør være i samme højde som bordet.
- Hold altid hænderne væk fra klingens bane.

Geringsskala (Fig. 39)

Anvend geringsskalaen til de 4 typer savning, der er vist i figuren.

FORSIGTIG:

- Stram knappen på geringsskalaen omhyggeligt.
- Undgå at arbejdsområdet og skalaen forrykker sig ved at holde arbejdsområdet fast, specielt når der skæres i en vinkel.
- TAG ALDRIG fat i eller hold den del af arbejdsområdet, der skal saves af.

- Indstil altid afstanden mellem enden af geringsskalaen og savklingen, så savklingen ikke overskrider 15 mm.

Brug af geringsskalaen (Fig. 40)

Skub geringsskalaen ind i de tykke riller i bordet. Løsn knappen på skalaen, og indstil til den ønskede vinkel (0° til 60°). Før blokken op mod anslaget og skyd bordet, fastgør med skruetvingen på geringsskalaen og før den forsigtigt ind i klingen.

Hjælpetræbeklædning (geringsskala) (Fig. 41)

Forsyn geringsskalaen med en hjælpebeklædning for at forhindre, at lange brædder slingrer. Bør huller, og fastgør med bolte/møtrikker, men fastgøringsmaterialet må ikke stikke ud fra forsiden.

Transport af værktøj (Fig. 42)

Sørg for, at værktøjet er taget ud af forbindelse. Transporter værktøjet ved at holde værktøjsdelen som vist i figuren.

FORSIGTIG:

- Fastgør altid alle bevægelige dele, inden værktøjet transporteres.
- Sørg altid for, at beskyttelsesskærmen er på plads, inden værktøjet transporteres.

VEDLIGEHOLDELSE

FORSIGTIG:

- Sørg altid for, at værktøjet er slukket, og at stikket er taget ud, før du forsøger at udføre inspektion eller vedligeholdelse.

BEMÆRK:

- Brug aldrig benzin, benzen, fortynder, alkohol eller lignende. Det kan muligvis medføre misfarvning, deformation eller revner.

Rengøring

Rengør ind i mellem for savsmuld og spåner. Vær omhyggelig med rengøringen af beskyttelsesskærmen og bevægelige dele inde i bordsaven.

Smøring

For at holde bordsaven kørende i tip-top-form og for at sikre maksimal levetid, skal de bevægelige og drejende dele engang i mellem smøres med olie eller fedt.

Steder der skal smøres:

- Skaft med gevind til at løfte klingen
- Hængsel til at dreje rammen
- Løftestænger på motor
- Udstyr til at løfte klingen

Udskiftning af kulbørsterne (Fig. 43)

Tag regelmæssigt kulbørsterne af, og efterse dem. Udskift dem, når de er slidt ned til en længde på 3 mm. Hold kulbørsterne rene og frie til at glide i holderne. Begge kulbørster skal udskiftes samtidig. Brug altid identiske kulbørster. (Fig. 44)

Brug en skruetrækker til at fjerne kulholderdækslerne. Når du udskifter kulbørsterne, skal du tage beskyttelsesskærmen og klingen af, derefter løsne låsearmen, vippe savhovedet og sætte det fast på en skråvinkel på 45°. Læg forsigtigt værktøjet i omvendt

stilling. Løsn derefter børsteholderdækslet. Fjern de udslidte kulbørster, monter de nye, og fastgør kulholderdækslerne.

For at holde produktet SIKKERT og PÅLIDELIGT skal reparationer samt al anden vedligeholdelse eller justering udføres af autoriserede Makita-servicecentre, og der skal altid benyttes Makita-reservedele.

TILBEHØR

FORSIGTIG:

- Dette tilbehør eller ekstraudstyr anbefales til brug med det Makita-værktøj, som er beskrevet i denne brugsanvisning. Brug af andet tilbehør eller ekstraudstyr kan forårsage personskade. Brug kun tilbehør eller ekstraudstyr til det formål, det er beregnet til.

Henvend Dem til Deres lokale Makita-servicecenter, hvis De har brug for hjælp eller yderligere oplysninger vedrørende tilbehøret.

- Kløveanslag
- Geringsskala
- Skruenøgle 24
- Unbrakonøgle 5
- Sameled (til tilslutning til støvopsamler)
- Standersæt

Støj

ENG905-1

Det typiske A-vægtede støjniveau bestemt i overensstemmelse med EN61029:

Lydtryksniveau (L_{pA}): 92 dB (A)

Lydeffektniveau (L_{WA}): 105 dB (A)

Usikkerhed (K): 3 dB (A)

Bær høreværn.

Kun for lande i Europa

ENH022-3

EF-overensstemmelseserklæring

Vi, Makita Corporation, erklærer som ansvarlig producent at følgende Makita-maskine(r):

Maskinens betegnelse:

Bordsav

Modelnummer/ type: MLT100

er en produktionsserie og

Overholder følgende europæiske direktiver:

2006/42/EF

Og er produceret i overensstemmelse med følgende

standarder eller standardiserede dokumenter:

EN61029

Certifikatnummer for EF-typeafprøvning BM 50170011

0001, BM 50170011 0002

EF-typeafprøvningen blev udført af:

TÜV RHEINLAND Product safety GmbH Am Grauen

Stein 51105

Köln, Tyskland

Identifikationsnr. 0197

Den tekniske dokumentation findes hos vores
autoriserede repræsentant i Europa:
Makita International Europe Ltd.,
Michigan Drive, Tongwell,
Milton Keynes, Bucks MK15 8JD, England

15. 12. 2009



Tomoyasu Kato
Direktør
Makita Corporation
3-11-8, Sumiyoshi-cho,
Anjo, Aichi, 446-8502, JAPAN

ΕΛΛΗΝΙΚΑ (Πρωτογενείς οδηγίες)

Περιγραφή γενικής όψης

- | | | |
|--|---|---------------------------------------|
| 1. Διάμετρος τρύπας 8 mm | 17. Βοηθητική πλάκα (πίσω) | 33. Μοχλός |
| 2. 6 mm κανονική ροδέλα | 18. Πλάκα ολίσθησης | 34. Κλίμακα |
| 3. Αρ. 10 ξυλόβιδα 40 mm ελάχ. μήκος | 19. Πλάκα ασφάλισης | 35. Κατευθυντήρια γραμμή |
| 4. 6 mm Σφίξετε καλά το μπουλόνι στερέωσης & το παξιμάδι | 20. Κλειδί | 36. Βίδα |
| 5. Ράβδος ώθησης | 21. Εξάγωνο παξιμάδι | 37. Παράλληλη πρόσοψη/άκρη |
| 6. Οδηγός κομματιού (Οδηγός χαρακας) | 22. Εσωτερική φλάντζα | 38. Ξυλόβιδα |
| 7. Μετρητής απόκλισης | 23. Δακτύλιος | 39. Συγκολλήστε μαζί |
| 8. Λαβή | 24. Δισκοπρίονο | 40. Βοηθητική επένδυση |
| 9. Τόξο | 25. Εξωτερική φλάντζα | 41. Τεμάχιο ώθησης |
| 10. Μοχλός κλειδώματος | 26. Προφυλακτήρας δίσκου | 42. Διαμήκης τομή |
| 11. 90° ρυθμιστική βίδα | 27. Μαχαίρι σχίσματος | 43. Λοξότομηση |
| 12. 45° ρυθμιστική βίδα | 28. Θέση στερέωσης του προφυλακτήρα του δίσκου (στήριγμα) | 44. Κόψιμο υπό κλίση |
| 13. Διακόπτης | 29. Δίσκος | 45. Σύνθετη λοξότομηση (γωνίες) |
| 14. Κουμπί επανεκκίνησης | 30. Αυτές οι δυο αποστάσεις πρέπει να είναι ίσες. | 46. Κουμπί |
| 15. Βίδες | 31. Εξάγωνα μπουλόνια (Α) | 47. Κατάκι υποδοχής για το καρβουνάκι |
| 16. Βοηθητική πλάκα (R) | 32. Εξάγωνα μπουλόνια | 48. Κατσαβίδι |

ΠΡΟΔΙΑΓΡΑΦΕΣ

Μοντέλο		MLT100	
		(για τις Ευρωπαϊκές χώρες)	(για άλλες χώρες εκτός των Ευρωπαϊκών)
Οπή άξονα		30 mm	25 mm και 25,4 mm
Διάμετρος δίσκου		260 mm	255 mm
Μέγιστες ικανότητες κοπής	90°	93 mm	90,5 mm
	45°	64 mm	63 mm
Ταχύτητα χωρίς φορτίο (min ⁻¹)		4.300	
Μέγεθος πλάκας (M x Π)		(685 mm - 835 mm) x (955 mm - 1.305 mm) με βοηθητικές πλάκες (R) και (πίσω)	(685 mm - 835 mm) x (955 mm - 1.305 mm) με βοηθητικές πλάκες (R) και (πίσω)
Διαστάσεις (M x Π x Υ) με πλάκα (εξ) μη προεκτάμενες		726 mm x 984 mm x 333 mm με βοηθητικές πλάκες (R) και (πίσω)	726 mm x 984 mm x 333 mm με βοηθητικές πλάκες (R) και (πίσω)
Καθαρό βάρος		34,1 kg	34,1 kg
Τάξη ασφάλειας		II/II	

- Λόγω του συνεχόμενου προγράμματος που εφαρμόζουμε για έρευνα και ανάπτυξη, τα τεχνικά χαρακτηριστικά στο παρόν έντυπο υπόκεινται σε αλλαγή χωρίς προειδοποίηση.
- Τα τεχνικά χαρακτηριστικά ενδέχεται να διαφέρουν ανάλογα με τη χώρα.
- Βάρος σύμφωνα με τη διαδικασία ΕΡΤΑ 01/2003

Σύμβολα

END215-3

Παρακάτω παρουσιάζονται τα σύμβολα που χρησιμοποιούνται για τον εξοπλισμό. Βεβαιωθείτε ότι κατανοείτε τη σημασία τους πριν από τη χρήση.



..... Μην πλησιάζετε τα χέρια ή τα δάκτυλά σας κοντά στο δίσκο.

Προοριζόμενη χρήση

ENE003-1

Το εργαλείο προορίζεται για την κοπή ξύλου.

Ηλεκτρική παροχή

ENF002-1

Το εργαλείο πρέπει να συνδέεται μόνο σε ηλεκτρική παροχή της ίδιας τάσης με αυτήν που αναγράφεται στην πινακίδα ονομαστικών τιμών και μπορεί να λειτουργήσει μόνο με εναλλασσόμενο μονοφασικό ρεύμα. Τα εργαλεία αυτά διαθέτουν διπλή μόνωση που συμμορφώνεται με τα ευρωπαϊκά πρότυπα και συνεπώς μπορούν να συνδεθούν με πρίζες χωρίς γείωση.



..... Διαβάστε το εγχειρίδιο οδηγιών.



..... ΔΙΠΛΗ ΜΟΝΩΣΗ



..... Να φοράτε γυαλιά προστασίας.

Γενικές Προειδοποιήσεις Ασφαλείας Του Ηλεκτρικού Εργαλείου

GEA010-1

⚠️ ΠΡΟΕΙΔΟΠΟΙΗΣΗ Διαβάστε όλες τις προειδοποιήσεις ασφαλείας και όλες τις οδηγίες. Αν δεν ακολουθήσετε όλες τις προειδοποιήσεις και τις οδηγίες, υπάρχει κίνδυνος ηλεκτροπληξίας, πυρκαγιάς ή/και σοβαρού τραυματισμού.

Φυλάξτε όλες τις προειδοποιήσεις και τις οδηγίες για μελλοντική αναφορά.

ΠΡΟΣΘΕΤΟΙ ΚΑΝΟΝΕΣ ΑΣΦΑΛΕΙΑΣ ΓΙΑ ΤΟ ΕΡΓΑΛΕΙΟ

ENB095-1

ΦΥΛΑΞΤΕ ΑΥΤΕΣ ΤΙΣ ΟΔΗΓΙΕΣ.

1. Να φοράτε προστατευτικά ματιών.
2. Μη χρησιμοποιείτε το εργαλείο παρουσία εύφλεκτων υγρών ή αερίων.
3. ΠΟΤΕ να μην χρησιμοποιήσετε το εργαλείο με εγκαταστημένο ένα λειαντικό τροχό κοπής.
4. Πριν από τη λειτουργία, να ελέγχετε προσεκτικά τον δίσκο για ραγίσματα ή ζημιά. Να αντικαθιστάτε αμέσως ένα ραγισμένο ή κατεστραμμένο δίσκο.
5. Να χρησιμοποιείτε μόνο δίσκους που συνιστώνται από τον κατασκευαστή και οι οποίοι είναι εναρμονισμένοι με το EN847-1, και δώστε προσοχή ώστε το μαχαίρι σχισίματος να μην είναι πιο παχύ από το πλάτος της κοπής που γίνεται από το δισκοπρίονο και όχι πιο λεπτό από το σώμα του δίσκου.
6. Να χρησιμοποιείτε πάντοτε εξαρτήματα που συνιστώνται στο παρόν χειρίδιο. Αν χρησιμοποιείτε ακατάλληλα εξαρτήματα, όπως λειαντικό τροχό κοπής, μπορεί να προκληθεί τραυματισμός.
7. Επιλέξτε το σωστό δισκοπρίονο ανάλογα με το υλικό που πρόκειται να κοπεί.
8. Μη χρησιμοποιείτε δισκοπρίονα που είναι κατασκευασμένα από ταχυχάλυβα.
9. Για να μειώσετε το θόρυβο, να βεβαιώνετε πάντοτε ότι ο δίσκος είναι αιχμηρός και καθαρός.
10. Να χρησιμοποιείτε δισκοπρίονα που έχουν ακονιστεί σωστά. Να τηρείτε τη μέγιστη ταχύτητα που είναι σημειωμένη επάνω στο δισκοπρίονο.
11. Καθαρίστε την άτρακτο, τις φλάντζες (ιδιαίτερα την επιφάνεια εγκατάστασης) και το εξάγωνο παξιμάδι πριν την εγκατάσταση του δίσκου. Η κακή εγκατάσταση μπορεί να προκαλέσει δόνηση/τρεμοπαίξιμο ή γλίστρημα του δίσκου.
12. Χρησιμοποιήστε τον προφυλακτήρα του δισκοπρίονου και του μαχαίριου σχισίματος για κάθε λειτουργία για την οποία μπορεί να χρησιμοποιηθεί, συμπεριλαμβανομένων και όλων των εργασιών πριονίσματος μέχρι τέλους. Πάντοτε να τοποθετείτε τον προφυλακτήρα του δίσκου ακολουθώντας τις οδηγίες που περιγράφονται σε αυτόν τον οδηγό. Οι εργασίες

πριονίσματος μέχρι τέλους αφορούν αυτές κατά τις οποίες ο δίσκος κόβει τελείως το τεμάχιο εργασίας όπως αυτές της επιμήκους ή της εγκάρσιας τομής. ΠΟΤΕ να μην χρησιμοποιήσετε το εργαλείο με ένα ελαττωματικό προφυλακτήρα του δίσκου ή με στερεωμένο τον προφυλακτήρα του δίσκου με ένα σχοινί, κλωστή κτλ. Η οποιαδήποτε μη κανονική λειτουργία του προφυλακτήρα του δίσκου θα πρέπει να διορθώνεται αμέσως.

13. Επανασυνδέστε αμέσως τον προφυλακτήρα και το μαχαίρι σχισίματος μετά την ολοκλήρωση της εργασίας η οποία απαιτεί την αφαίρεση του προφυλακτήρα.
14. Μην κόβετε μεταλλικά αντικείμενα όπως καρφιά και βίδες. Πριν από τη λειτουργία, ελέγξτε αν υπάρχουν και αφαιρέστε όλα τα καρφιά, τις βίδες και τα άλλα ξένα αντικείμενα από το τεμάχιο εργασίας.
15. Αφαιρέστε όλα τα κλειδιά, τα αποκόμματα, κτλ. από την πλάκα πριν ανοίξετε το διακόπτη.
16. ΠΟΤΕ να μην φοράτε γάντια κατά τη λειτουργία.
17. Κρατήστε τα χέρια σας μακριά από την ευθεία του δισκοπρίονου.
18. ΠΟΤΕ να μην στέκεστε ή να επιτρέψετε σε οποιονδήποτε να στέκεται στην ευθεία της τροχιάς του δισκοπρίονου.
19. Να βεβαιώνετε ότι ο δίσκος δεν ακουμπάει το μαχαίρι σχισίματος ή το τεμάχιο εργασίας πριν ανοίξετε το διακόπτη λειτουργίας.
20. Πριν χρησιμοποιήσετε το εργαλείο σε ένα πραγματικό τεμάχιο εργασίας, να το αφήνετε να λειτουργεί για λίγη ώρα. Να προσέχετε για δόνησεις ή τρεμοπαίξιμο που θα μπορούσαν να υποδείξουν κακή τοποθέτηση ή κακή ισορροπία του δίσκου.
21. Το εργαλείο δεν πρέπει να χρησιμοποιηθεί για σχισμές, γλύφανση ή αυλακώσεις.
22. Αντικαταστήστε το πρόσθετο της πλάκας όταν φθαρεί.
23. ΠΟΤΕ να μην κάνετε την οποιαδήποτε ρύθμιση όταν λειτουργεί το εργαλείο. Αποσυνδέστε το εργαλείο πριν κάνετε την οποιαδήποτε ρύθμιση.
24. Χρησιμοποιήστε μια ράβδο ώθησης όταν απαιτείται. Οι ράβδοι ώθησης ΠΡΕΠΕΙ να χρησιμοποιούνται για την επιμήκη τομή των στενών τεμαχίων εργασίας για να κρατήσουν τα χέρια σας και τα δάχτυλα σας πολύ μακριά από το δίσκο.
25. Πάντοτε να φυλάσσετε τη ράβδο ώθησης όταν δεν τη χρησιμοποιείτε.
26. Δώστε ιδιαίτερη προσοχή στις οδηγίες για την ελάττωση του ρίσκου του ΟΠΙΣΘΟΛΑΚΤΙΣΜΑΤΟΣ. Το ΟΠΙΣΘΟΛΑΚΤΙΣΜΑ είναι μια ξαφνική αντίδραση ενός μαγκωμένου, περιορισμένου ή κακώς ευθυγραμμισμένου δισκοπρίονου. Το ΟΠΙΣΘΟΛΑΚΤΙΣΜΑ προκαλεί την εκτόξευση του τεμαχίου εργασίας από το εργαλείο προς τον χειριστή. ΤΑ ΟΠΙΣΘΟΛΑΚΤΙΣΜΑΤΑ ΜΠΟΡΟΥΝ ΝΑ ΠΡΟΚΑΛΕΣΟΥΝ ΣΟΒΑΡΟ ΠΡΟΣΩΠΙΚΟ ΤΡΑΥΜΑΤΙΣΜΟ. Αποφύγετε τα ΟΠΙΣΘΟΛΑΚΤΙΣΜΑ διατηρώντας το δίσκο κοφτερό, κρατώντας τον οδηγό του κομματιού παράλληλο με το δίσκο, κρατώντας το μαχαίρι

ΦΥΛΑΞΤΕ ΑΥΤΕΣ ΤΙΣ ΟΔΗΓΙΕΣ.

ΤΟΠΟΘΕΤΗΣΗ

Τοποθέτηση του επιτραπέζιου πριονιού (Εικ. 1 - 3)

Τοποθετήστε το επιτραπέζιο πριόνι σε μια επίπεδη και καλά φωτισμένη περιοχή όπου μπορείτε να διατηρήσετε μια καλή στάση και ισορροπία. Θα πρέπει να τοποθετηθεί σε μια περιοχή η οποία διαθέτει αρκετό χώρο, ανάλογο του μεγέθους των τεμαχίων εργασίας για τον εύκολο χειρισμό τους. Το επιτραπέζιο πριόνι θα πρέπει να στερεωθεί με τέσσερις βίδες ή μπουλόνια στον πάγκο εργασίας ή στη βάση του επιτραπέζιου πριονιού χρησιμοποιώντας τις τρύπες που παρέχονται στο κάτω μέρος του επιτραπέζιου πριονιού. Κατά τη στερέωση του επιτραπέζιου πριονιού στον πάγκο εργασίας, βεβαιωθείτε ότι υπάρχει ένα άνοιγμα στην κορυφή του πάγκου εργασίας του ίδιου μεγέθους με το άνοιγμα της βάσης του επιτραπέζιου πριονιού για να περνά από μέσα και να πέφτει κάτω η σκόνη. Εάν κατά τη λειτουργία υπάρχει η οποιαδήποτε τάση για το επιτραπέζιο πριόνι να πέσει κάτω, να γλιστρήσει ή να μετακινηθεί, τότε ο πάγκος εργασίας ή η βάση του επιτραπέζιου πριονιού θα πρέπει να στερεωθεί στο δάπεδο.

Αποθήκευση εξαρτημάτων (Εικ. 4 και 5)

Η ράβδος ώθησης, ο τριγωνικός κανόνας, ο δίσκος και τα κλειδιά μπορούν να αποθηκευτούν στην αριστερή πλευρά της βάσης ενώ ο οδηγός του κομματιού και ο μετρητής απόκλισης μπορούν αποθηκευτούν στην αριστερή πλευρά της βάσης.

ΠΕΡΙΓΡΑΦΗ ΛΕΙΤΟΥΡΓΙΑΣ

ΠΡΟΣΟΧΗ:

- Να βεβαιώνετε πάντοτε ότι το εργαλείο είναι σβηστό και αποσυνδεδεμένο από το ηλεκτρικό ρεύμα πριν ρυθμίζετε ή ελέγχετε κάποια λειτουργία του.

Ρύθμιση του βάθους κοπής (Εικ. 6)

Το βάθος της τομής μπορεί να μετρηθεί περιστρέφοντας τη λαβή. Περιστρέψτε τη λαβή προς τα δεξιά για να ανυψώσετε το δίσκο και αριστερά για να τον χαμηλώσετε.

ΣΗΜΕΙΩΣΗ:

- Χρησιμοποιήστε μια μικρή ρύθμιση βάθους κατά την κοπή λεπτών υλικών για να εξασφαλίσετε μια καλύτερη κοπή.

Ρύθμιση της γωνίας κλίσης (Εικ. 7)

Ξεσφίξτε το μοχλό κλειδώματος προς τα αριστερά και στρέψτε το χειροτρόχο έως ότου αποκτηθεί η επιθυμητή γωνία (0° - 45°).

Η γωνία κλίσης δείχνεται με το βέλος.

Αφότου αποκτήσετε την επιθυμητή γωνία, σφίξτε το μοχλό κλειδώματος προς τα δεξιά για να σταθεροποιήσετε τη ρύθμιση.

ΠΡΟΣΟΧΗ:

- Μετά τη ρύθμιση της γωνίας κλίσης, βεβαιωθείτε να στερεώσετε γερά το μοχλό κλειδώματος.

- σχισίματος και τον προφυλακτήρα του δίσκου στην θέση τους και σε σωστή λειτουργικότητα, μην αφήνοντας το τεμάχιο εργασίας έως ότου στρωχτεί και περάσει τελείως το δίσκο, και μην κόβοντας κατά μήκος ένα τεμάχιο εργασίας που έχει τριψεί ή στρεβλωθεί ή δεν έχει ίσια άκρη για να οδηγηθεί κατά μήκος του οδηγού.
27. Μην πραγματοποιείτε οποιαδήποτε εργασία με γυμνά χέρια. Γυμνά χέρια σημαίνει τη χρήση των χεριών σας για την υποστήριξη ή την οδήγηση του τεμαχίου εργασίας αντί του οδηγού του τεμαχίου ή του μετρητή απόκλισης.
 28. ΠΟΤΕ να μην τεντώνετε κοντά ή πάνω στο δισκοπρίονο. ΠΟΤΕ να μην εκτείνετε για να πιάσετε ένα τεμάχιο εργασίας πριν σταματήσετε εντελώς το δισκοπρίονο.
 29. Αποφύγετε την απότομη και γρήγορη τροφοδοσία. Τροφοδοτείτε όσο αργά είναι εφικτό κατά το κόψιμο σκληρών τεμαχίων εργασίας. Μην κάμψετε ή στρίψετε το αντικείμενο εργασίας κατά την τροφοδοσία. Εάν ακινητοποιήσετε ή μπλοκάρτε το δίσκο μέσα στο τεμάχιο εργασίας, θέστε αμέσως εκτός λειτουργίας το εργαλείο. Αποσυνδέστε το εργαλείο από την πρίζα. Μετά ξεμπλοκάρτε το.
 30. ΠΟΤΕ να μην αφαιρείτε αποκόμματα κοντά στο δίσκο ή μην αγγίζετε τον προφυλακτήρα του δίσκου όταν ο δίσκος κινείται.
 31. Αφαιρέστε όλους τους χαλαρούς ρόζους από το τεμάχιο εργασίας ΠΡΙΝ αρχίσετε το κόψιμο.
 32. Μην κακομεταχειρίζεστε το ηλεκτρικό καλώδιο. Ποτέ να μην τραβάτε το καλώδιο για να το αποσυνδέσετε από τη πρίζα. Να διατηρείτε το ηλεκτρικό καλώδιο μακριά από τη θερμότητα, τα λάδια και τις αιχμηρές άκρες.
 33. Κάποια σωματίδια σκόνης που δημιουργούνται κατά τη λειτουργία περιέχουν χημικές ουσίες για τις οποίες είναι γνωστό ότι προκαλούν καρκίνο, γενετικές ανωμαλίες και άλλες αναπαραγωγικές βλάβες. Μερικά παραδείγματα τέτοιων χημικών ουσιών είναι:
 - ο μόλυβδος από υλικά βαμμένα με χρώμα που έχει ως βάση το μόλυβδο,
 - το αρσενικό και το χρώμιο από ξυλεία που έχει υποστεί χημική επεξεργασία.
 - Ο κίνδυνος από την έκθεσή σας στα παραπάνω ποικίλλει ανάλογα με τη συχνότητα με την οποία εκτελείτε αυτού του είδους τις εργασίες. Για να μειώσετε την έκθεσή σας σε αυτές τις χημικές ουσίες: να εργάζεστε σε χώρο με καλό εξαερισμό και να εργάζεστε με εγκεκριμένο εξοπλισμό ασφάλειας, όπως προσωπίδα κατά της σκόνης που είναι ειδικά σχεδιασμένη να φιλτράρει μικροσκοπικά σωματίδια.
 34. Συνδέστε το εργαλείο με μια συσκευή συλλογής σκόνης όταν πριονίζετε.
 35. Ο προφυλακτήρας μπορεί να ανασηκωθεί κατά την τοποθέτηση του τεμαχίου εργασίας και για ευκολία στον καθαρισμό. Πάντοτε να σιγουρευέστε ότι η καλύπτρα του προφυλακτήρα βρίσκεται κάτω και είναι επίπεδη ενάντια στη πλάκα πριονισμού πριν συνδέσετε το εργαλείο στη πρίζα.

Ρύθμιση των σταθερών ορίων (Εικ. 8 και 9)

Το εργαλείο είναι εφοδιασμένο με σταθερά όρια στις 90° και 45° σε σχέση με την επιφάνεια της πλάκας. Για τον έλεγχο και τη ρύθμιση των σταθερών ορίων, προχωρήστε ως ακολούθως:

Μετακινήστε όσο είναι δυνατόν μακρύτερα τον χειροτροχό περιστρέφοντας τον. Τοποθετήστε ένα τριγωνικό κανόνα πάνω στην πλάκα και ελέγξτε αν ο δίσκος βρίσκεται στις 90° ή στις 45° μοίρες σε σχέση με την επιφάνεια της πλάκας. Εάν ο δίσκος βρίσκεται υπό γωνία όπως δείχνεται στην Εικ. Α, στρέψτε τις βίδες ρύθμισης προς τα δεξιά: εάν βρίσκεται υπό γωνία όπως δείχνεται στην Εικ. Β, στρέψτε τις βίδες ρύθμισης προς τα αριστερά για να ρυθμίσετε τα σταθερά όρια.

Μετά τη ρύθμιση των σταθερών ορίων, ρυθμίστε το δίσκο στις 90° σε σχέση με την επιφάνεια της πλάκας. Μετά ρυθμίστε το βέλος έτσι ώστε το δεξί άκρο του να είναι ευθυγραμμισμένο με τη διαβάθμιση των 0°. (Εικ. 10)

Δράση διακόπτη

ΠΡΟΣΟΧΗ:

- Αφαιρέστε το αντικείμενο εργασίας από το τραπέζι.
- Απενεργοποιήστε το εργαλείο και μετά πατήστε το κουμπί επανεκκίνησης.
- Πριν συνδέετε το εργαλείο στο ηλεκτρικό ρεύμα, να βεβαιώνετε ότι είναι σβηστό.

Για το εργαλείο με διακόπτη τύπου κουμπιού (Εικ. 11)

Για να ξεκινήσετε το εργαλείο πιέστε το κουμπί ON (I).
Για να το σταματήσετε, πιέστε το κουμπί OFF (O).

Για το εργαλείο με διακόπτη τύπου μοχλού (Εικ. 12)

Για να ξεκινήσετε το εργαλείο, ανυψώστε το μοχλό-διακόπτη. Για να το σταματήσετε, χαμηλώστε το μοχλό-διακόπτη.

Βοηθητική πλάκα (R) (Εικ. 13 και 14)

Με το εργαλείο αυτό παρέχεται και μια βοηθητική πλάκα (R) στην δεξιά πλευρά της κύριας πλάκας. Για να χρησιμοποιήσετε τη βοηθητική πλάκα (R), ξεσφίξτε τις δυο βίδες στη δεξιά πλευρά στρέφοντας τις προς τα αριστερά, τραβήξτε τη πλάκα (R) πλήρως και μετά ξανασφίξτε τις δυο βίδες για να τη στερεώσετε.

Βοηθητική πλάκα (πίσω) (Εικ. 15)

Για να χρησιμοποιήσετε τη βοηθητική πλάκα (πίσω), ξεσφίξτε τις βίδες στην αριστερή και στη δεξιά πλευρά κάτω από τη πλάκα και τραβήξτε τη πίσω προς τα έξω στο επιθυμητό μήκος. Στο επιθυμητό μήκος, σφίξτε τη βίδα καλά.

Πλάκα ολίσθησης (Εικ. 16)

ΠΡΟΣΟΧΗ:

- Μετά τη χρήση της πλάκας ολίσθησης, βεβαιωθείτε να τη στερεώσετε μετακινώντας τη πλάκα ασφαλισής στην κάθετη θέση.

Το εργαλείο παρέχεται με μια πλάκα ολίσθησης στην αριστερή πλευρά.

Η πλάκα ολίσθησης ολισθαίνει εμπρός και πίσω.

Περιστρέψτε στην οριζόντια θέση τις ασφαλιστικές πλάκες στην πίσω και στην μπροστινή πλευρά πριν τη χρησιμοποιήσετε.

Κρατήστε γερά το τεμάχιο εργασίας με το μετρητή απόκλισης, χρησιμοποιώντας ένα σφικτήρα στο μετρητή απόκλισης και ολισθήστε το τεμάχιο εργασίας μαζί με τη πλάκα ολίσθησης ταυτόχρονα κατά τη λειτουργία κοπής.

ΣΥΝΑΡΜΟΛΟΓΗΣΗ

ΠΡΟΣΟΧΗ:

- Να βεβαιώνετε πάντοτε ότι το εργαλείο είναι σβηστό και αποσυνδεδεμένο από το ηλεκτρικό ρεύμα πριν εκτελέσετε οποιαδήποτε εργασία σε αυτό.

Το εργαλείο αποστέλλεται από το εργοστάσιο χωρίς να έχει γίνει εγκατάσταση του δισκοπρίνου και του προφυλακτήρα του δίσκου. Συναρμολογήστε ως ακολούθως:

Τοποθέτηση ή αφαίρεση του δισκοπρίνου

ΠΡΟΣΟΧΗ:

- Να βεβαιώνετε πάντοτε ότι το εργαλείο είναι σβηστό και αποσυνδεδεμένο από το ηλεκτρικό ρεύμα πριν τοποθετήσετε ή αφαιρέσετε το δίσκο.
- Να χρησιμοποιείτε μόνο το παρεχόμενο κοίλο κλειδί της Makita για να τοποθετήτε ή για να αφαιρέτε το δίσκο. Αν δεν το κάνετε αυτό, μπορεί να έχει ως αποτέλεσμα το υπερβολικό ή ανεπαρκές σφίξιμο του εξάγωνου μπουλονιού. Αυτό μπορεί να προκαλέσει τραυματισμό.
- Χρησιμοποιήστε το παρακάτω δισκοπρίνο. Μη χρησιμοποιείτε δισκοπρίνα που δεν συμμορφώνονται με τα χαρακτηριστικά που καθορίζονται σε αυτές τις οδηγίες.

Για το μοντέλο	Μεγ. διαμ.	Ελάχ. διαμ.	Πάχος δίσκου	Εγκοπή
MLT100	260 mm	230 mm	1,8 mm ή λιγότερο	2 mm ή περισσότερο

ΠΡΟΣΟΧΗ:

- Έλεγε τη διάμετρο της οπής του άξονα του δίσκου πριν την τοποθέτηση του δίσκου. Πάντοτε να χρησιμοποιείτε το σωστό δακτύλιο της οπής του άξονα για την λειπίδα που σκοπεύετε να χρησιμοποιήσετε. (Εικ. 17)

Αφαιρέστε το πρόσθετο της πλάκας από τη πλάκα. Κρατήστε την εξωτερική φλάντζα με το κλειδί και ξεσφίξτε το εξάγωνο παξιμάδι περιστρέφοντας το προς τα αριστερά με το κλειδί. Μετά αφαιρέστε την εξωτερική φλάντζα. (Εικ. 18)

Συναρμολογήστε την εσωτερική φλάντζα, το δακτύλιο, το δισκοπρίνο, την εξωτερική φλάντζα και το εξάγωνο παξιμάδι πάνω στον άξονα, εξασφαλίζοντας ότι το δόντι του δίσκου δείχνει προς τα κάτω στο μπροστινό μέρος του τραπεζιού.

Πάντοτε να τοποθετείτε το εξάγωνο παξιμάδι με την βαθουλωμένη του πλευρά να βλέπει την εξωτερική φλάντζα.

Για όλες τις χώρες εκτός της Ευρωπαϊκής

ΠΡΟΣΟΧΗ:

- Ο δακτύλιος εξωτερικής διαμέτρου 25,4 mm τοποθετείται από το εργοστάσιο στην άτρακτο.

Για τις Ευρωπαϊκές χώρες

ΠΡΟΣΟΧΗ:

- Ο δακτύλιος εξωτερικής διαμέτρου 30 mm εγκαθίσταται από το εργοστάσιο μεταξύ της εσωτερικής και της εξωτερικής φλάντζας.
- Διατηρήστε την επιφάνεια της φλάντζας καθαρή από βρωμιά ή από προσκολλούμενα υλικά, διότι μπορεί να προκαλέσει το γλιστρήμα του δίσκου. Βεβαιωθείτε ότι ο δίσκος είναι τοποθετημένος έτσι ώστε το δόντι να είναι ευθυγραμμισμένο με την διεύθυνση κοπής (περιστροφής).

Για ασφαλίσετε το δίσκο στην θέση του, κρατήστε την εξωτερική φλάντζα με το κλειδί αντιστάθμισης, και μετά σφίξτε το εξάγωνο παξιμάδι προς τα δεξιά με το κλειδί. **ΒΕΒΑΙΩΘΕΙΤΕ ΝΑ ΣΦΙΞΕΤΕ ΚΑΛΑ ΤΟ ΕΞΑΓΩΝΟ ΠΑΞΙΜΑΔΙ. (Εικ. 19)**

ΠΡΟΣΟΧΗ:

- Βεβαιωθείτε να κρατήσετε το εξάγωνο παξιμάδι προσεκτικά με το κλειδί. Εάν γλιστρήσει η λαβή σας, το κλειδί μπορεί να πεταχτεί από το εξάγωνο παξιμάδι και το χέρι σας να χτυπήσει τις κοφτερές άκρες του δίσκου.

Τοποθέτηση του προφυλακτήρα του δίσκου (Εικ. 20 και 21)

ΠΡΟΣΟΧΗ:

- Πριν την τοποθέτηση του προφυλακτήρα του δίσκου, ρυθμίστε το βάθος της τομής στην μέγιστη ανύψωση του.

Για μη Ευρωπαϊκού τύπου προφυλακτήρα δίσκου

Αφαιρέστε το κεντρικό κάλυμμα. Τοποθετήστε το μαχαίρι σχισίματος μέσα στη θέση στερέωσης του προφυλακτήρα του δίσκου (στήριγμα). Σφίξτε τα εξάγωνα μπουλόνια (Α) με το παρεχόμενο κλειδί.

Για προφυλακτήρα δίσκου Ευρωπαϊκού τύπου (Εικ. 22 και 23)

Αφαιρέστε το κεντρικό κάλυμμα. Τοποθετήστε το μαχαίρι σχισίματος μέσα στη θέση στερέωσης του προφυλακτήρα του δίσκου (στήριγμα). Σφίξτε τα εξάγωνα μπουλόνια (Α) με το παρεχόμενο κλειδί.

Τοποθετήστε το προφυλακτήρα του δίσκου μέσα στην αυλάκωση πάνω στο μαχαίρι σχισίματος.

Στερεώστε το προφυλακτήρα του δίσκου περιστρέφοντας το μοχλό πάνω στο προφυλακτήρα του δίσκου.

Για Ευρωπαϊκούς και μη Ευρωπαϊκούς τύπους προφυλακτικών δίσκων

Η θέση τοποθέτησης του μαχαίριου σχισίματος είναι ρυθμισμένη από το εργοστάσιο έτσι ώστε ο δίσκος και το μαχαίρι σχισίματος να βρίσκονται σε μια ευθεία γραμμή. Εντούτοις, εάν δεν βρίσκονται σε ευθεία γραμμή, ξεσφίξτε τα εξάγωνα μπουλόνια (Β) και ρυθμίστε την θέση στερέωσης του προφυλακτήρα του δίσκου (στήριγμα) έτσι ώστε το μαχαίρι σχισίματος να είναι ευθυγραμμισμένο ακριβώς πίσω από το δίσκο. Μετά σφίξτε τα εξάγωνα μπουλόνια (Β) για να ασφαλίσετε το στήριγμα. **(Εικ. 24)**

ΠΡΟΣΟΧΗ:

- Εάν ο δίσκος και το μαχαίρι σχισίματος δεν είναι κατάλληλα ευθυγραμμισμένα, μπορεί να προκληθεί μια επικίνδυνη κατάσταση μαγκώματος κατά τη λειτουργία. Βεβαιωθείτε ότι είναι κατάλληλα ευθυγραμμισμένα. Μπορεί να υποστείτε ένα επικίνδυνο προσωπικό τραυματισμό κατά τη χρήση του εργαλείου εάν το

μαχαίρι σχισίματος δεν είναι κατάλληλα ευθυγραμμισμένο.

- ΠΟΤΕ να μην κάνετε την οποιαδήποτε ρύθμιση όταν λειτουργεί το εργαλείο. Αποσυνδέστε το εργαλείο πριν κάνετε την οποιαδήποτε ρύθμιση.
- Μην αφαιρέσετε το μαχαίρι σχισίματος. **(Εικ. 25)** Θα πρέπει να υπάρχει μια απόσταση περίπου 4 - 5 mm μεταξύ του μαχαίριου σχισίματος και του δοντιού του δίσκου. Ξεσφίξτε τα εξάγωνα μπουλόνια (Α) και ρυθμίστε το μαχαίρι σχισίματος κατάλληλα και σφίξτε καλά τα εξάγωνα μπουλόνια (Α). Συνδέστε το πρόσθετο της πλάκας στην πλάκα και μετά ελέγξτε να δείτε εάν ο προφυλακτήρας του δίσκου λειτουργεί ομαλά πριν από την κοπή.

Τοποθέτηση και ρύθμιση του οδηγού του κομματιού (Εικ. 26)

Τοποθετήστε τον οδηγό του κομματιού έτσι ώστε το στήριγμα του οδηγού να κομπλάρει με την πιο κοντινή ράγα οδηγό.

Για να στερεώσετε τον οδηγό του κομματιού, περιστρέψτε πλήρως το μοχλό στο στήριγμα του οδηγού.

Για να είστε σίγουροι ότι ο οδηγός του κομματιού είναι παράλληλος με το δίσκο, στερεώστε τον οδηγό του κομματιού 2 - 3 mm από το δίσκο.

Ανυψώστε το δίσκο μέχρι το μέγιστο ύψος. Σημαδεύστε ένα από τα δόντια του δίσκου με κιμωλία. Μετρήστε την απόσταση (Α) και (Β) μεταξύ του οδηγού του κομματιού και του δίσκου. Κάντε και τις δυο μετρήσεις

χρησιμοποιώντας το σημαδεμένο με την κιμωλία δόντι. Αυτές οι δυο μετρήσεις θα πρέπει να είναι όμοιες. Εάν ο οδηγός του κομματιού δεν είναι παράλληλος με το δίσκο, προχωρήστε ως ακολούθως: **(Εικ. 27 και 28)**

1. Στερεώστε τον οδηγό του κομματιού χαμηλώνοντας το μοχλό που βρίσκεται πάνω του.
2. Ξεσφίξτε τα δυο εξάγωνα μπουλόνια στον οδηγό του κομματιού με το παρεχόμενο εξάγωνο κλειδί.
3. Ρυθμίστε τον οδηγό του κομματιού έως ότου να γίνει παράλληλος με το δίσκο.
4. Σφίξτε τα δυο εξάγωνα μπουλόνια στον οδηγό του κομματιού. **(Εικ. 29)**

ΠΡΟΣΟΧΗ:

- Βεβαιωθείτε να ρυθμίσετε τον οδηγό του κομματιού έτσι ώστε να είναι παράλληλος με το δίσκο, διαφορετικά μπορεί να συμβεί η επικίνδυνη κατάσταση του οπισθολακτίσματος.

Φέρτε τον οδηγό του κομματιού στο ίδιο επίπεδο χωρίς να προεξέχει από την πλευρά του δίσκου. Σιγουρευτείτε ότι η οδηγητική γραμμή στον οδηγό του κομματιού δείχνει στη 0 διαβάθμιση. Εάν η οδηγητική γραμμή δεν δείχνει στην 0 διαβάθμιση, ξεσφίξτε τη βίδα στην πλάκα της κλίμακας και ρυθμίστε τη πλάκα της κλίμακας. **(Εικ. 30)**

Σύνδεση σε σκούπα αναρρόφησης (Εικ. 31)

Οι λειτουργίες καθαρισμού μπορούν να εκτελεστούν συνδέοντας το εργαλείο σε μια σκούπα αναρρόφησης Makita ή σε ένα συλλογέα σκόνης.

ΛΕΙΤΟΥΡΓΙΑ

ΠΡΟΣΟΧΗ:

- Πάντοτε να χρησιμοποιείτε βοηθήματα όπως ράβδους ώθησης και τεμάχια ώθησης όταν υπάρχει κίνδυνος να

- βρεθούν τα χέρια σας ή τα δάχτυλα σας κοντά στο δίσκο.
- Πάντοτε να κρατάτε το τεμάχιο εργασίας γερά με τη πλάκα και τον οδηγό του κομματιού ή τον μετρητή απόκλισης. Μην το κάμψετε ή το στρίψετε κατά την τροφοδοσία. Εάν το τεμάχιο εργασίας καμφθεί ή περιστραφεί, μπορεί να συμβεί ένα επικίνδυνο οπισθολακτίσμα.
 - ΠΟΤΕ να μην αποσύρετε το τεμάχιο εργασίας καθώς λειτουργεί ο δίσκος. Εάν πρέπει να αποσύρετε το τεμάχιο εργασίας πριν ολοκληρωθεί η τομή, πρώτα απενεργοποιήστε το εργαλείο καθώς κρατάτε γερά το τεμάχιο εργασίας. Περιμένετε έως ότου ο δίσκος σταματήσει τελείως πριν αποσύρετε το τεμάχιο εργασίας. Αν δεν το κάνετε αυτό μπορεί να προκαληθούν επικίνδυνα οπισθολακτίσματα.
 - ΠΟΤΕ να μην αφαιρέσετε ένα αποκομμένο υλικό καθώς λειτουργεί ο δίσκος.
 - ΠΟΤΕ να μην βάλετε τα χέρια σας ή τα δάχτυλα σας στην τροχιά του δισκοπρίνου. Δώστε προσοχή στις τομές υπό κλίση.
 - Πάντοτε να στερεώνετε γερά τον οδηγό του κομματιού, διαφορετικά μπορούν να συμβούν επικίνδυνα οπισθολακτίσματα.
 - Πάντοτε να χρησιμοποιείτε βοηθήματα όπως ράβδους ώθησης και τεμάχια ώθησης όταν κόβετε μικρά ή στενά τεμάχια εργασίας.

Βοηθήματα εργασίας

Ράβδοι ώθησης, τεμάχια ώθησης ή η βοηθητική επένδυση αποτελούν τύπους βοηθημάτων εργασίας. Χρησιμοποιήστε τα για να κάνετε ασφαλή, σίγουρα κοψίματα χωρίς να υπάρχει η ανάγκη για το χειριστή να έρθει σε επαφή με το δίσκο με το οποιοδήποτε μέρος του σώματος.

Τεμάχιο ώθησης (Εικ. 32)

Χρησιμοποιήστε ένα κομμάτι κοντραπλακέ 19 mm. Η λαβή πρέπει να είναι στο κέντρο του κομματιού κοντραπλακέ. Στερεώστε με κόλλα και ξυλόβιδες όπως δείχνεται. Ένα μικρό κομμάτι ξύλου 9,5 mm x 8 mm x 50 mm θα πρέπει πάντοτε να είναι κολλημένο στο κοντραπλακέ για να αποτρέψει την άμβλυνση του δίσκου εάν ο χειριστής κόψει κατά λάθος το τεμάχιο ώθησης. (Ποτέ να μην χρησιμοποιήσετε καρφιά στο τεμάχιο ώθησης.)

Βοηθητική επένδυση (Εικ. 33)

Φτιάξτε μια βοηθητική επένδυση από κομμάτι κοντραπλακέ 9,5 mm επί 19 mm.

Επιμήκης τομή

ΠΡΟΣΟΧΗ:

- Κατά την επιμήκη τομή αφαιρέστε το μετρητή απόκλισης από τη πλάκα.
- Κατά την κοπή μακρικών και μεγάλων τεμαχίων εργασίας, πάντοτε να παρέχετε επαρκή υποστήριξη πίσω από τη πλάκα. ΜΗΝ ΕΠΙΤΡΕΨΕΤΕ σε μια μακριά σανίδα να μετακινηθεί ή να αποκλίνει πάνω στη πλάκα. Αυτό θα προκαλέσει το μπλοκάρισμα του δίσκου και θα αυξήσει την πιθανότητα του οπισθολακτίσματος και του προσωπικού τραυματισμού. Το υποστήριγμα θα πρέπει να βρίσκεται στο ίδιο ύψος με τη πλάκα.

1. Ρυθμίστε το βάθος της κοπής λίγο υψηλότερα από το πάχος του τεμαχίου εργασίας. (Εικ. 34)
2. Τοποθετήστε τον οδηγό του κομματιού στο επιθυμητό ύψος της επιμήκους τομής και ασφαλίστε το στη θέση του περιστρέφοντας τη λαβή.
3. Θέστε σε λειτουργία το εργαλείο και τροφοδοτήστε με προσοχή το τεμάχιο εργασίας μέσα στο δίσκο μαζί με τον οδηγό του κομματιού.
 - (1) Όταν το πλάτος της επιμήκους τομής είναι 150 mm και μεγαλύτερο, χρησιμοποιήστε προσεκτικά το χέρι σας για να τροφοδοτήσετε το τεμάχιο εργασίας. Χρησιμοποιήστε το αριστερό σας χέρι για να κρατήσετε το τεμάχιο εργασίας σε θέση ενάντια στον οδηγό του κομματιού. (Εικ. 35)
 - (2) Όταν το πλάτος της επιμήκους τομής γίνει 65 mm - 150 mm πλατύ, χρησιμοποιήστε τη ράβδο ώθησης για να τροφοδοτήσετε το τεμάχιο εργασίας. (Εικ. 36)
 - (3) Όταν το πλάτος της επιμήκους τομής γίνει στενότερο από 65 mm, η ράβδος ώθησης δεν μπορεί να χρησιμοποιηθεί επειδή η ράβδος ώθησης θα χτυπήσει στον προφυλακτήρα του δίσκου. Χρησιμοποιήστε τη βοηθητική επένδυση και το τεμάχιο ώθησης. Στερεώστε τη βοηθητική επένδυση στον οδηγό του κομματιού με τους δυο σφικτήρες "C". (Εικ. 37)

Τροφοδοτήστε το τεμάχιο εργασίας με το χέρι έως ότου το άκρο του να βρίσκεται περίπου 25 mm από το μπροστινό άκρο της πλάκας. Συνεχίστε την τροφοδοσία χρησιμοποιώντας το τεμάχιο ώθησης στην κορυφή της βοηθητικής επένδυσης έως ότου να ολοκληρωθεί η τομή. (Εικ. 38)

Διαμήκης τομή

ΠΡΟΣΟΧΗ:

- Όταν εκτελείτε ένα διαμήκη τομή, αφαιρέστε τον οδηγό του κομματιού από τη πλάκα.
- Κατά την κοπή μακρικών και μεγάλων τεμαχίων εργασίας, πάντοτε να παρέχετε επαρκή υποστήριξη στις πλευρές της πλάκας. Το υποστήριγμα θα πρέπει να βρίσκεται στο ίδιο ύψος με τη πλάκα.
- Πάντοτε να κρατάτε τα χέρια μακριά από τη τροχιά του δίσκου.

Μετρητής απόκλισης (Εικ. 39)

Χρησιμοποιείτε τον μετρητή απόκλισης για τους 4 τύπους κοψίματος που απεικονίζονται στην εικόνα.

ΠΡΟΣΟΧΗ:

- Ασφαλίστε προσεκτικά το κομμάτι στο μετρητή απόκλισης.
- Με μια καλή διάταξη στερέωσης, αποτρέψτε το σύρσιμο του τεμαχίου εργασίας και του μετρητή, ιδιαίτερα κατά το κόψιμο υπό γωνία.
- ΠΟΤΕ να μην κρατάτε και μη σφίγγετε το τμήμα του τεμαχίου εργασίας που προορίζεται για αποκοπή.
- Να ρυθμίζετε πάντα την απόσταση μεταξύ του άκρου του μετρητή απόκλισης και της δισκοπρίνου ώστε να μην υπερβαίνει τα 15 mm.

Χρήση του μετρητή απόκλισης (Εικ. 40)

Περάστε το μετρητή απόκλισης μέσα στα μεγάλα αυλάκια της πλάκας. Ξεσφίξτε το κομμάτι στο μετρητή και

ευθυγραμμίστε στην επιθυμητή γωνία (0° έως 60°). Φέρτε το τεμάχιο χωρίς να προεξέχει στο ίδιο επίπεδο με το οδηγό και την πλάκα ολίσθησης, στερεώστε το με το σφικτήρα στο μετρητή απόκλισης και τροφοδοτήστε το με προσοχή μέσα στο δίσκο.

Βοηθητική επένδυση ξύλου (μετρητής απόκλισης) (Εικ. 41)

Για να μην τρεμοπαίζει ένα μακρύ καθρόνι, προσαρμόστε μια βοηθητική επένδυση ξύλου στο μετρητή απόκλισης. Ασφαλίστε με βίδες/παξιμάδια αφού ανοίξετε οπές με τρυπάνι. Όμως, τα εξαρτήματα σύνδεσης δεν θα πρέπει να προεξέχουν από την πρόσοψη του καθρόνιου.

Μεταφορά εργαλείου (Εικ. 42)

Να βεβαιώνετε ότι το εργαλείο είναι αποσυνδεδεμένο από την ηλεκτρική παροχή. Μεταφέρετε το εργαλείο κρατώντας το τμήμα του εργαλείου που απεικονίζεται στην εικόνα.

ΠΡΟΣΟΧΗ:

- Να στερεώνετε πάντοτε όλα τα κινούμενα μέρη πριν μεταφέρετε το εργαλείο.
- Πάντοτε να διασφαλίζετε ότι ο προφυλακτήρας του δίσκου είναι τοποθετημένος στη θέση του πριν τη μεταφορά του εργαλείου.

ΣΥΝΤΗΡΗΣΗ

ΠΡΟΣΟΧΗ:

- Να βεβαιώνετε πάντοτε ότι το εργαλείο είναι σβηστό και αποσυνδεδεμένο από το ηλεκτρικό ρεύμα πριν εκτελέσετε οποιαδήποτε εργασία ελέγχου ή συντήρησης σε αυτό.

ΣΗΜΕΙΩΣΗ:

- Μην χρησιμοποιήσετε βενζίνη, βενζόλη, διαλυτικό, αλκοόλη ή κάτι παρόμοιο. Μπορεί να προκληθεί αποχρωματισμός, παραμόρφωση ή ρωγμές.

Καθαρισμός

Καθαρίστε κατά διαστήματα την πριονόσκονη και τα πριονίδια. Καθαρίστε προσεκτικά τον προφυλακτήρα του δίσκου και τα κινούμενα μέρη μέσα στο επιτραπέζιο πριόνι.

Λίπανση

Για να διατηρήσετε το επιτραπέζιο πριόνι σε καλή λειτουργική κατάσταση, και να διασφαλίσετε την μέγιστη διάρκεια ζωής του, λίπαντε ή γρασάρετε κατά διαστήματα τα κινούμενα και τα περιστρεφόμενα μέρη του.

Μέρη λίπανσης:

- Σπειρωτός άξονας για την ανύψωση του δίσκου
- Άρθρωση για την περιστροφή του πλαισίου
- Οδηγητικοί άξονες ανύψωσης στο μοτέρ
- Γρανάζι για την ανύψωση του δίσκου

Αλλαγή των ψηκτρών των καρβουνακίων (Εικ. 43)

Να αφαιρείτε και να ελέγχετε τακτικά τις ψηκτρες των καρβουνακίων.

Να αντικαθιστάτε τα καρβουνακία όταν έχουν φθαρεί έως τα 3 mm σε μήκος. Να διατηρείτε τις ψηκτρες των καρβουνακίων καθαρές για να γλιστρούν στις υποδοχές.

Πρέπει να αλλάζετε ταυτόχρονα και τις δυο ψηκτρες των καρβουνακίων. Να χρησιμοποιείτε μόνο ψηκτρες καρβουνακίων του ίδιου τύπου. (Εικ. 44)

Με τη βοήθεια ενός καταβιδιού, βγάλτε τα καλύμματα των ψηκτρών. Για την αντικατάσταση των ψηκτρών των καρβουνακίων, αφαιρέστε τον προφυλακτήρα του δίσκου και το δίσκο και μετά ξεσφίξτε το μοχλό κλειώματος, στρέψτε τη κεφαλή του πριονιού και ασφαλίστε το στη γωνία κλίσης των 45°. Προσεκτικά τοποθετήστε το εργαλείο πάνω του προς τα πίσω. Μετά ξεσφίξτε τα καλύμματα των ψηκτρών. Βγάλτε τις φθαρμένες ψηκτρες των καρβουνακίων, τοποθετήστε τις καινούργιες και ασφαλίστε τα καλύμματα των ψηκτρών.

Για να διατηρείται η ΑΣΦΑΛΕΙΑ και η ΑΞΙΟΠΙΣΤΙΑ του προϊόντος, οι εργασίες επισκευής, καθώς και οποιαδήποτε άλλη εργασία συντήρησης ή ρύθμισης, θα πρέπει να εκτελούνται σε εξουσιοδοτημένα κέντρα εξυπηρέτησης της Makita, και πάντοτε με τη χρήση ανταλλακτικών της Makita.

ΑΞΕΣΟΥΑΡ

ΠΡΟΣΟΧΗ:

- Συνιστάται η χρήση των παρακάτω αξεσουάρ και εξαρτημάτων με το εργαλείο της Makita μόνο όπως καθορίζεται στο παρόν εγχειρίδιο. Αν χρησιμοποιήσετε άλλα αξεσουάρ ή εξαρτήματα μπορεί να παρουσιαστεί κίνδυνος για πρόκληση ατομικού τραυματισμού. Να χρησιμοποιείτε τα αξεσουάρ και τα εξαρτήματα μόνο για το σκοπό για τον οποίο προορίζονται.

Αν χρειάζεστε κάποια βοήθεια ή περισσότερες πληροφορίες σχετικά με τα αξεσουάρ αυτά, απευθυνθείτε στο πλησιέστερο κέντρο εξυπηρέτησης της Makita.

- Οδηγός κομματιού
- Μετρητής απόκλισης
- Κλειδί 24
- Εξάγωνο κλειδί 5
- Σύνδεση (για σύνδεση στο συλλογέα σκόνης)
- Σετ βάσης

Θορύβος

ENG905-1

Το σύνθημα σταθμισμένο επίπεδο θορύβου που έχει καθοριστεί σύμφωνα με την EN61029:

Επίπεδο ηχητικής πίεσης (L_{PA}): 92 dB (A)

Επίπεδο ηχητικής ισχύος (L_{WA}): 105 dB (A)

Αβεβαιότητα (K): 3 dB (A)

Να φοράτε ωπασατίδες.

Για Ευρωπαϊκές χώρες μόνο

ENH022-3

EK – Δήλωση συμμόρφωσης

Η Εταιρία Makita ως υπεύθυνος κατασκευαστής, δηλώνει ότι το παρακάτω μηχάνημα ή μηχανήματα της Makita:

Ονομασία Μηχανήματος:

Επιτραπέζιο πριόνι

Αρ. Μοντέλου/ Τύπος: MLT100

αποτελεί παραγωγή σε σειρά και

Συμμορφώνεται με τις ακόλουθες Ευρωπαϊκές

Οδηγίες:

2006/42/EK

Και κατασκευάζεται σύμφωνα με τα παρακάτω πρότυπα ή τυποποιημένα έγγραφα:

EN61029

Αρ. Πιστοποιητικού για την Εξέταση Τύπου EC: BM
50170011 0001, BM 50170011 0002

Η Εξέταση Τύπου EC εκτελέστηκε από την:

TÜV RHEINLAND Product safety GmbH Am Grauen
Stein 51105
Köln, Germany
Αρ. αναγνώρισης 0197

Ο εξουσιοδοτημένος μας αντιπρόσωπος στην Ευρώπη
διατηρεί τα τεχνικά έγγραφα, ο οποίος είναι:

Makita International Europe Ltd.
Michigan Drive, Tongwell,
Milton Keynes, Bucks MK15 8JD, England

15. 12. 2009



Tomoyasu Kato
Διευθυντής
Makita Corporation
3-11-8, Sumiyoshi-cho,
Anjo, Aichi, 446-8502, JAPAN

Makita Corporation
Anjo, Aichi, Japan

www.makita.com

JM2708C005

ALA